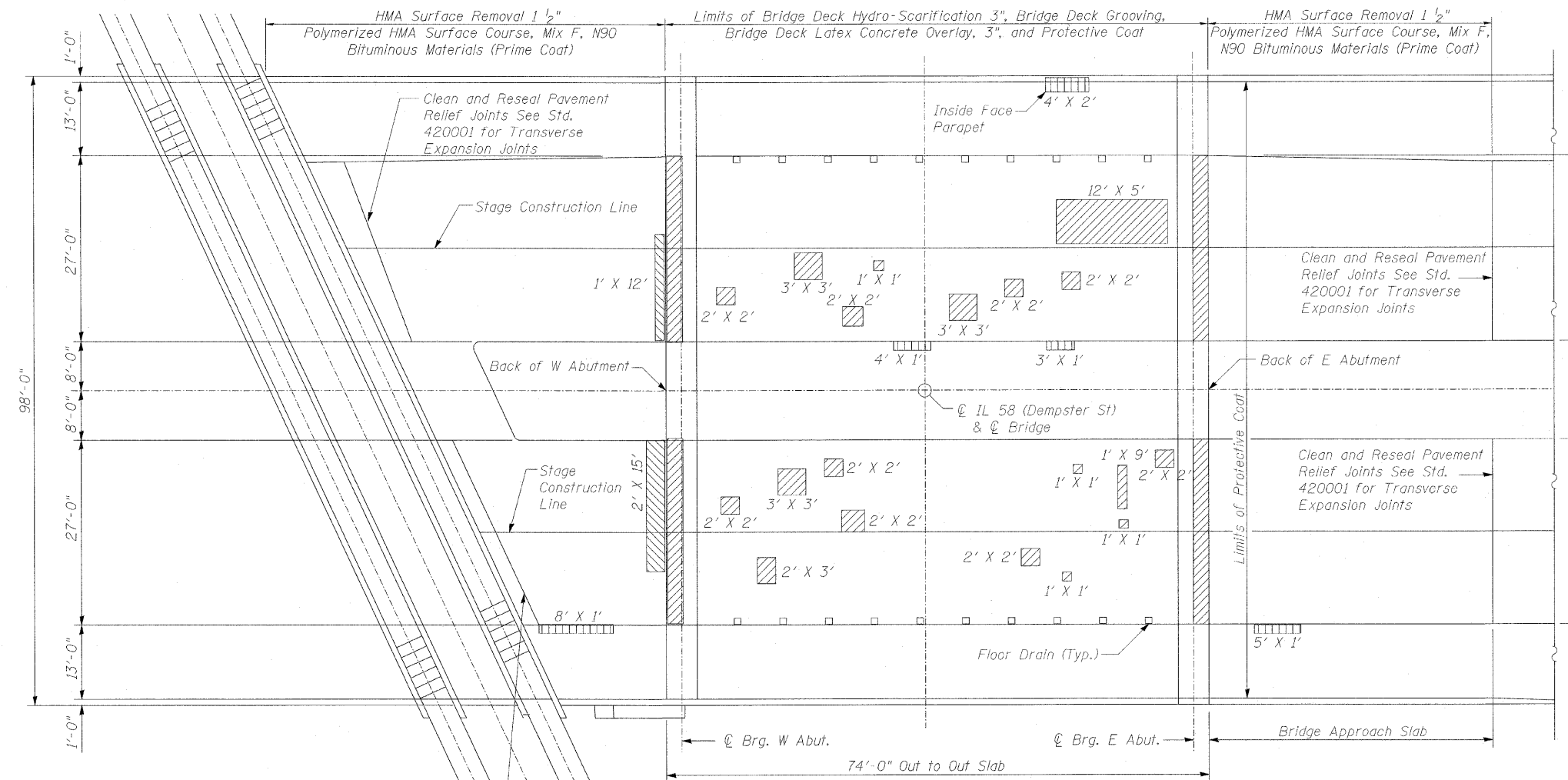


STATE OF ILLINOIS
DEPARTMENT OF TRANSPORTATION



PLAN

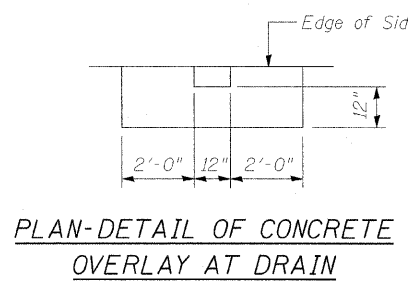
BILL OF MATERIAL

SYMBOL	ITEM	UNIT	QUANTITY
	Deck Slab Repair (Partial) Δ	Sq. Yd.	28
	Approach Slab Repairs (Partial Depth)	Sq. Yd.	5
	Structural Repair of Concrete (Depth ≤ 5")	Sq. Ft.	28
	Protective Coat	Sq. Yd.	790
	Hot-Mix Asphalt Surface Removal, 1 1/2"	Sq. Yd.	500
	Polymerized Hot-Mix Asphalt Surface Course, Mix "F", N90	Ton	42
	Bridge Deck Grooving	Sq. Yd.	411
	Bridge Deck Latex Concrete Overlay 3"	Sq. Yd.	396
	Bridge Deck Hydro-Scarification 3"	Sq. Yd.	444
	Clean and Reseal Pavement Relief Joint	Foot	110
	Bituminous Materials (Prime Coat)	Gallon	50

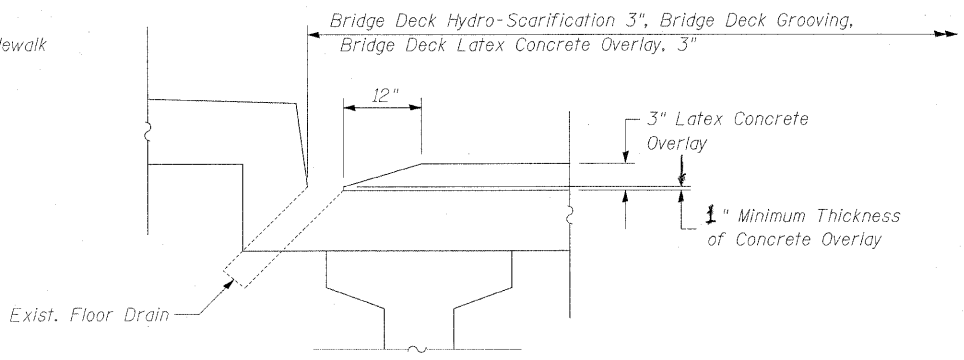
Δ For Information only to assist the Contractor in bidding. See Special Provision for "Bridge Deck Latex Concrete Overlay".

Notes:

- Deck and approach repair areas are estimated based on visual inspection completed October 2009. Actual repair areas and locations shall be determined by the Engineer and shown on As-Built plans.
- Deck drains (downspouts, floor drains and scuppers) shall be cleaned prior to placement of Latex Concrete Overlay. Cost of cleaning the deck drains is included in Bridge Deck Hydro-Scarification 3".
- Gaps caused by distress around floor drains shall be filled with epoxy as specified in Section 590 of the Standard Specifications. Cost included with Bridge Deck Latex Concrete Overlay 3".
- The Existing Concrete Overlay contains reinforcing bars. Cost for removal of the reinforcing bars shall be included with Bridge Deck Hydro-Scarification 3".



PLAN-DETAIL OF CONCRETE OVERLAY AT DRAIN



CONCRETE OVERLAY AT FLOOR DRAIN

BRIDGE DECK REPAIRS
STRUCTURE NO. 016-0942

DESIGNED A. Seiber	2018
CHECKED J. Hamelka	EXAMINED
DRAWN A. Seiber	ENGINEER OF STRUCTURAL SERVICES
CHECKED J. Hamelka	PASSED
	ENGINEER OF BRIDGES AND STRUCTURES

SHEET NO. S4 OF S9 SHEETS	F.A.P. RTE.	SECTION	COUNTY	TOTAL SHEETS	SHEET NO.
	377	2009-1171	COOK	15	8
CONTRACT NO. 60J50					
ILLINOIS FED. AID PROJECT					