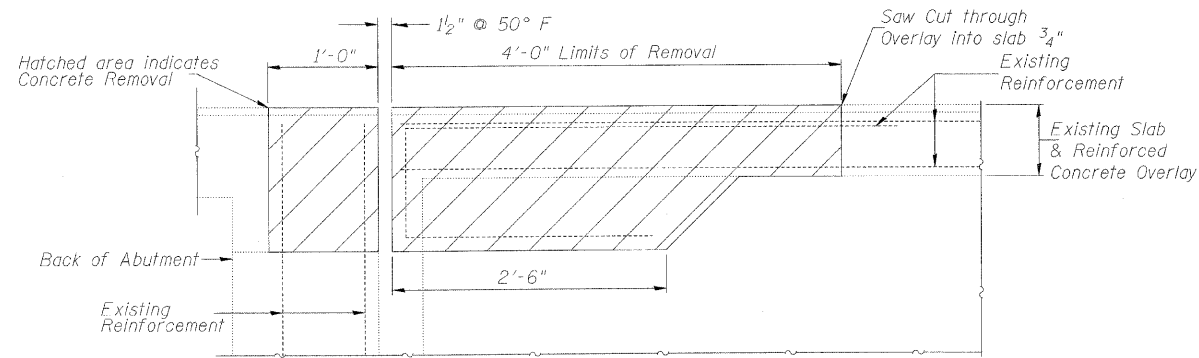
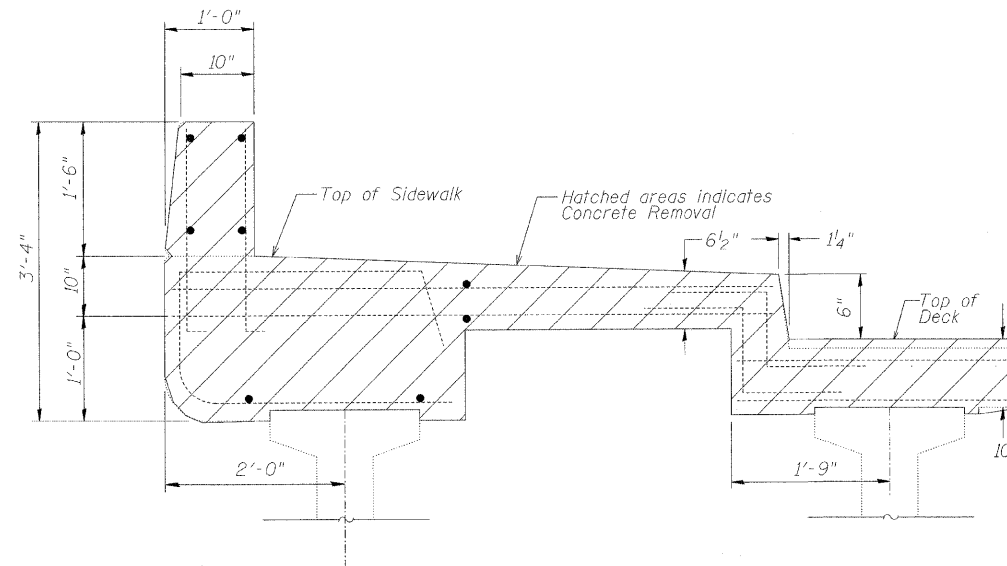


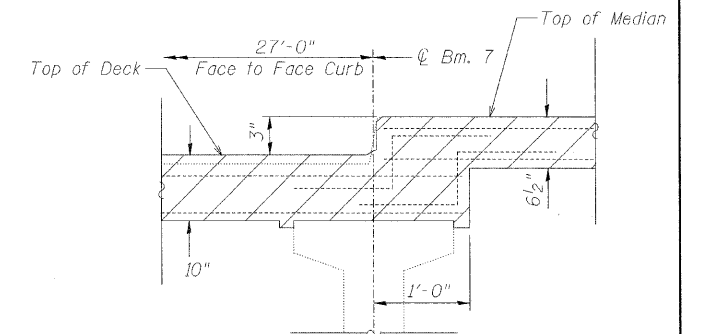
STATE OF ILLINOIS  
DEPARTMENT OF TRANSPORTATION



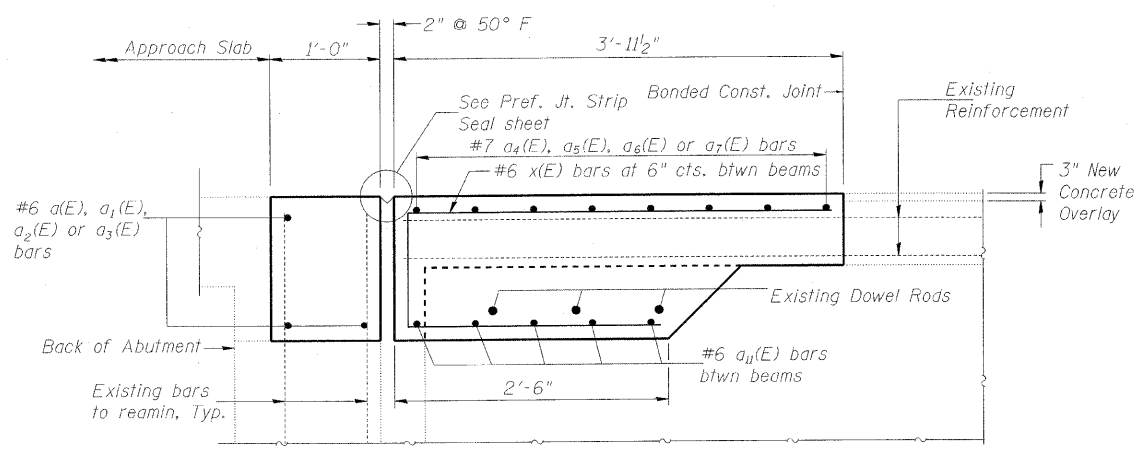
SECTION A-A



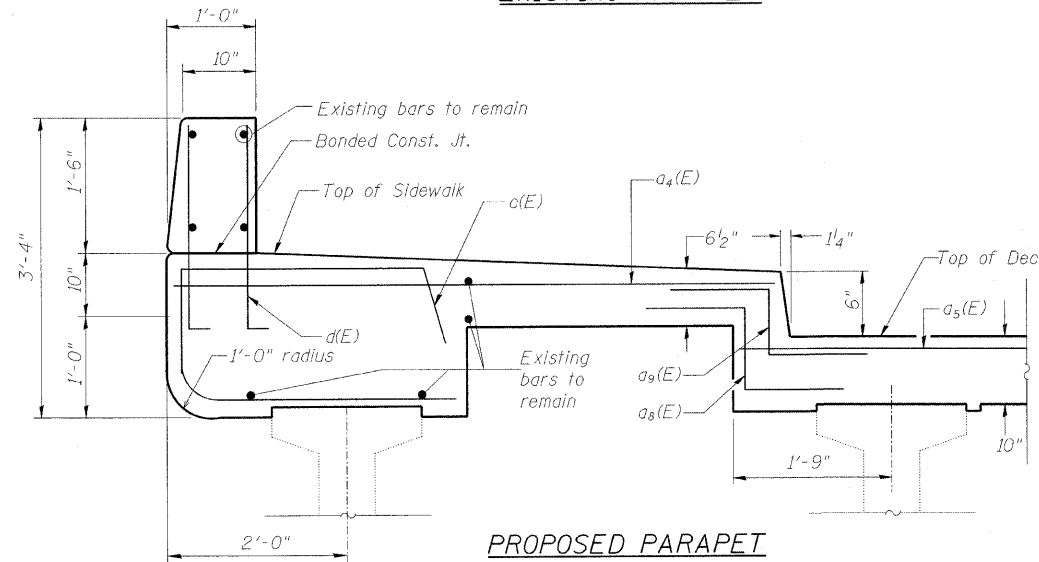
EXISTING PARAPET



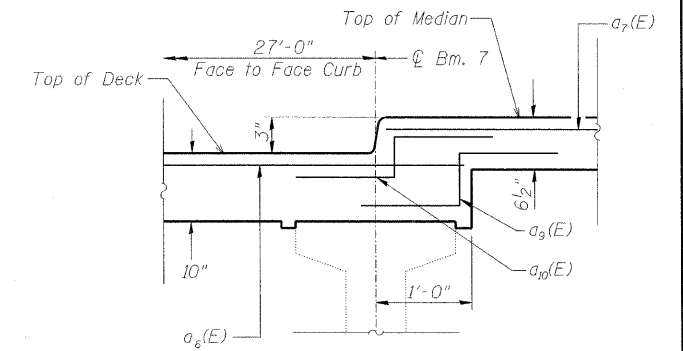
EXISTING MEDIAN



SECTION B-B



PROPOSED PARAPET



PROPOSED MEDIAN

Notes:

- Existing reinforcement bars extending into the concrete removal area shall be cleaned, straightened and incorporated into the new construction. Any reinforcement bars that are damaged during concrete removal shall be replaced with an approved bar splicer or anchorage system. Cost included with Concrete Removal.
- Existing reinforcement bars in the concrete removal area parallel to the expansion joints shall be removed.
- Removal and disposal of the existing expansion joints will not be paid for separately, but shall be included with the cost of Concrete Removal.
- If existing name plate falls within the limits of Concrete Removal, it shall be removed and reinstalled in its original location in accordance with IDOT Std. 515001. Cost included with Concrete Superstructure.
- If existing traffic barrier terminal, guardrail and/or end shoe fall within the limits of Concrete Removal, it shall be removed and reinstalled in their original locations in accordance with District 1 Std. BM-21. Cost included with Concrete Superstructure.
- The Contractor shall exercise extreme care with the existing conduits in sections of the parapet to be removed and to protect and support the conduit. The Contractor will be required to repair any damage done to the conduit to the satisfaction of the Engineer. No splicing will be allowed to any cable damage resulting from this work, instead the Contractor will be required to repair the entire span of any damaged cable at no additional cost to the Department.
- Work this sheet with Expansion Joint Repairs sheet.

EXPANSION JOINT DETAILS  
STRUCTURE NO. 016-0942

DESIGNED	A. Seiber	January, 2010
CHECKED	J. Hamelka	EXAMINED
DRAWN	A. Seiber	PASSED
CHECKED	J. Hamelka	ENGINEER OF BRIDGES AND STRUCTURES

SHEET NO. S6 OF S9 SHEETS	F.A.P. RTE.	SECTION	COUNTY	TOTAL SHEETS	SHEET NO.
	377	2009-1171	COOK	15	10
CONTRACT NO. 60J50					
ILLINOIS FED. AID PROJECT					