

URBAN
80% FED.
20% STATE

URBAN
80% FED.
20% STATE

SUMMARY OF QUANTITIES					CONSTRUCTION TYPE CODE BRIDGE SN 016-0322
CODE NO.	ITEM DESCRIPTION	UNIT	TOTAL QUANTITY	SFTY-2A QUANTITY	
31101100	SUB-BASE GRANULAR MATERIAL, TYPE B	CU YD	208	208	
40600200	BITUMINOUS MATERIALS (PRIME COAT)	TON	0.8	0.8	
40600300	AGGREGATE (PRIME COAT)	TON	2	2	
40600895	CONSTRUCTING TEST STRIP	EACH	1	1	
40603595	POLYMERIZED HOT-MIX ASPHALT SURFACE COURSE, MIX "F", N90	TON	96	96	
44000156	HOT-MIX ASPHALT SURFACE REMOVAL, 1 3/4"	SQ YD	974	974	
44000500	COMBINATION CURB AND GUTTER REMOVAL	FOOT	619	619	
42001470	BRIDGE APPROACH PAVEMENT CONNECTOR (PCC)	SQ YD	68	68	
44000915	HOT-MIX ASPHALT SURFACE REMOVAL (DECK)	SQ YD	1,134	1,134	
44001700	COMBINATION CONCRETE CURB AND GUTTER REMOVAL	FOOT	100	100	
44003100	MEDIAN REMOVAL AND REPLACEMENT	SQ FT	5,077	5,077	
44004402	PAVEMENT REMOVAL (SPECIAL)	CU YD	25	25	
44003700	MEDIAN REMOVAL (SPECIAL)	SQ FT	2,706	2,706	
50102400	CONCRETE REMOVAL	CU YD	75.4	75.4	
50300100	FLOOR DRAINS	EACH	29	29	
50300255	CONCRETE SUPERSTRUCTURE	CU YD	78	78	
50300260	BRIDGE DECK GROOVING	SQ YD	1,064	1,064	
50300300	PROTECTIVE COAT	SQ YD	1,193	1,193	
50800205	REINFORCEMENT BARS, EPOXY COATED	POUND	12,480	12,480	
50800515	BAR SPLICERS	EACH	22	22	
52000110	PREFORMED JOINT STRIP SEAL	FOOT	181	181	
58700300	CONCRETE SEALER	SQ FT	6,950	6,950	
60250400	CATCH BASINS TO BE ADJUSTED WITH NEW TYPE 1 FRAME	EACH	3	3	
60605600	COMBINATION CONCRETE CURB AND GUTTER, TYPE B-9.06 OPEN LID	FOOT	619	619	
60618300	CONCRETE MEDIAN SURFACE, 4 INCH	SQ FT	4,811	4,811	
60620354	CONCRETE MEDIAN, TYPE SB-9 (DOWELLED)	SQ FT	2,706	2,706	
60624600	CORRUGATED MEDIAN	SQ FT	266	266	
67000400	ENGINEER'S FIELD OFFICE, TYPE A	CAL MO	6	6	
67100100	MOBILIZATION	L SUM	1	1	
70101800	TRAFFIC CONTROL AND PROTECTION, (SPECIAL)	L SUM	1	1	
70300100	SHORT-TERM PAVEMENT MARKING	FOOT	1,154	1,154	
70301000	WORK ZONE PAVEMENT MARKING REMOVAL	SQ FT	21,608	21,608	
* 72000100	SIGN PANEL - TYPE 1	SQ FT	15	15	
* 72400100	REMOVE SIGN PANEL ASSEMBLY - TYPE A	EACH	3	3	
* 72800100	TELESCOPING STEEL SIGN SUPPORT	FOOT	41	41	
* 78000100	THERMOPLASTIC PAVEMENT MARKING - LETTERS AND SYMBOLS	SQ FT	110	110	
* 78000200	THERMOPLASTIC PAVEMENT MARKING - LINE 4"	FOOT	5,632	5,632	

* SPECIALTY ITEM

SUMMARY OF QUANTITIES					CONSTRUCTION TYPE CODE BRIDGE SN 016-0322
CODE NO.	ITEM DESCRIPTION	UNIT	TOTAL QUANTITY	SFTY-2A QUANTITY	
* 78000400	THERMOPLASTIC PAVEMENT MARKING - LINE 6"	FOOT	459	459	
* 78000650	THERMOPLASTIC PAVEMENT MARKING - LINE 24"	FOOT	38	38	
* 78008210	POLYUREA PAVEMENT MARKING TYPE I - LINE 4"	FOOT	1,220	1,220	
* 78100100	RAISED REFLECTIVE PAVEMENT MARKER	EACH	246	246	
* 78100105	RAISED REFLECTIVE PAVEMENT MARKER (BRIDGE)	EACH	10	10	
78300100	PAVEMENT MARKING REMOVAL	SQ FT	2,293	2,293	
78300200	RAISED REFLECTIVE PAVEMENT MARKER REMOVAL	EACH	222	222	
X0326766	CLEAN & RESEAL RELIEF JOINT	FOOT	150	150	
X0322185	BRIDGE DECK LATEX CONCRETE OVERLAY, 2 1/4 INCHES	SQ YD	1,134	1,134	
X0322256	TEMPORARY INFORMATION SIGNING	SQ FT	103	103	
X0325775	WET REFLECTIVE TEMPORARY TAPE, TYPE III, 4 INCH	FOOT	20,454	20,454	
X0712400	TEMPORARY PAVEMENT	SQ YD	569	569	
X0919000	TEMPORARY PAVEMENT REMOVAL	SQ YD	569	569	
NP 20018500	DRAINAGE STRUCTURES TO BE CLEANED	EACH	4	4	
Z0006204	BRIDGE DECK HYDRO-SCARIFICATION 1/2"	SQ YD	1,134	1,134	
Z0016001	DECK SLAB REPAIR (FULL DEPTH, TYPE I)	SQ YD	7.5	7.5	
Z0016002	DECK SLAB REPAIR (FULL DEPTH, TYPE II)	SQ YD	10	10	
50157300	PROTECTIVE SHIELD	SQ YD	1745	1745	

* SPECIALTY ITEM
NP Non-participating

1/28/2010
K:\11225252\CAD\Sheets\IL72_500.dgn
1:1
User: chaddas
Def: Default

rjngroup

200 West Front Street
Wheaton, IL 60187

DESIGNED - MTH
DRAWN - DJW
CHECKED - MAK
DATE - 1/28/2010 6:25:37 PM

REVISED -
REVISED -
REVISED -
REVISED -

STATE OF ILLINOIS
DEPARTMENT OF TRANSPORTATION

IL-72 OVER DESPLAINES RIVER
SN 016-0665

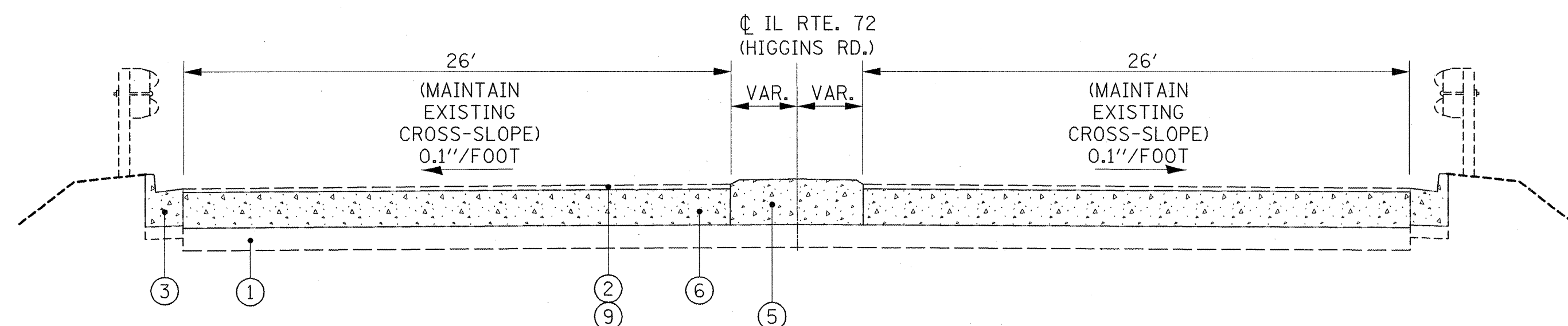
SUMMARY OF QUANTITIES

F.A.U. RTE. 1350	SECTION 1292-I	COUNTY COOK	TOTAL SHEETS 33	SHEET NO. 3
CONTRACT NO. 60J57				
FED. ROAD DIST. NO. 1 ILLINOIS FED. AID PROJECT				

SCALE: 1 SHEET NO. 3 OF 33 SHEETS STA. TO STA.

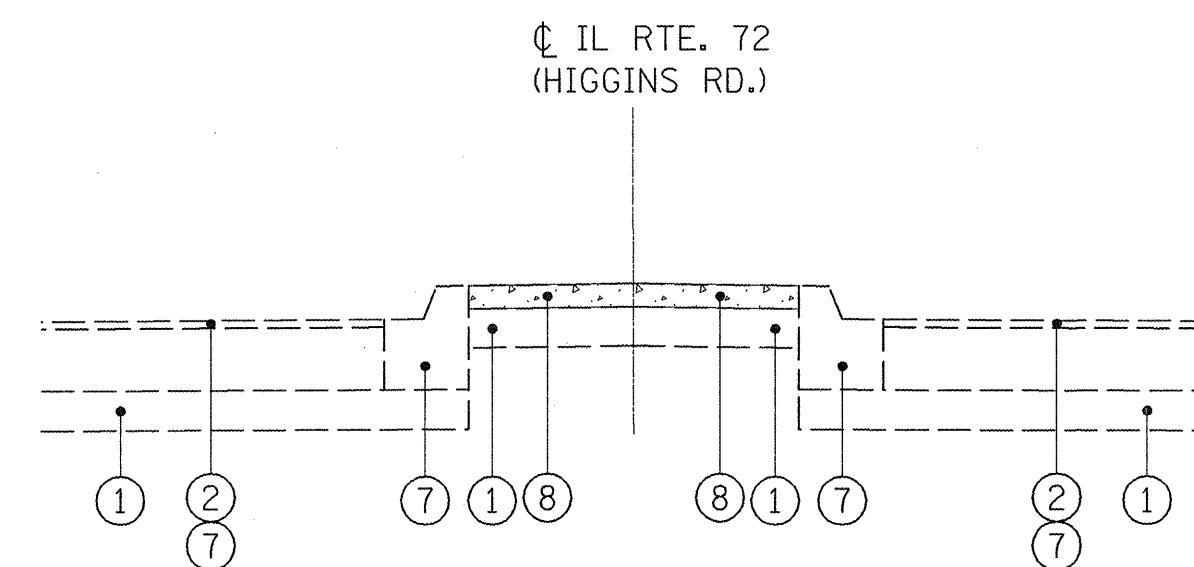
Rev. 4-13-10
Rev. 3-31-10

Rev.



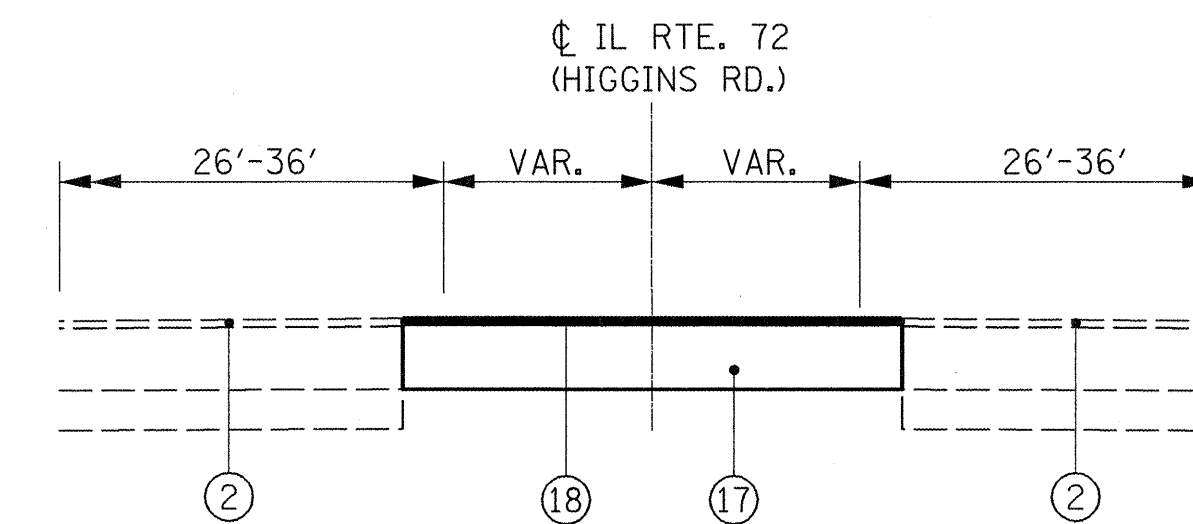
EXISTING TYPICAL SECTION

STA. 116+26 TO 116+93



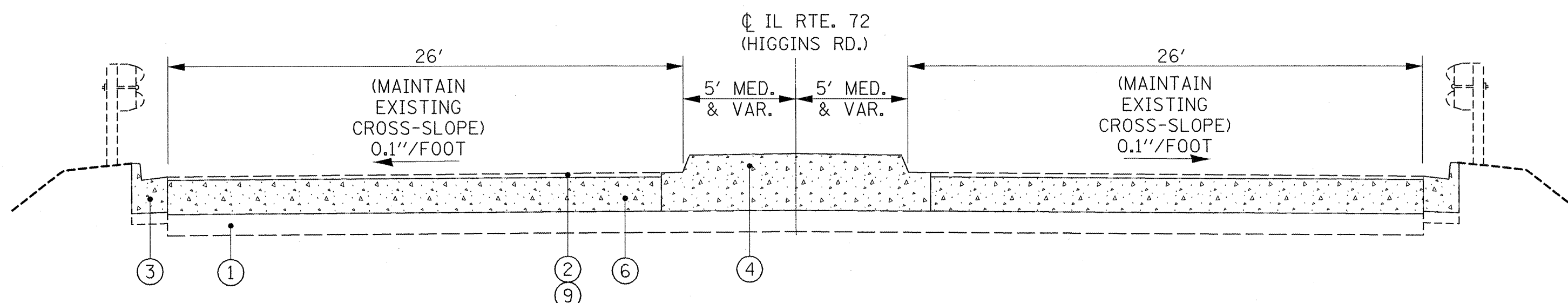
EXISTING TYPICAL SECTION

STA. 105+13 TO 108+20



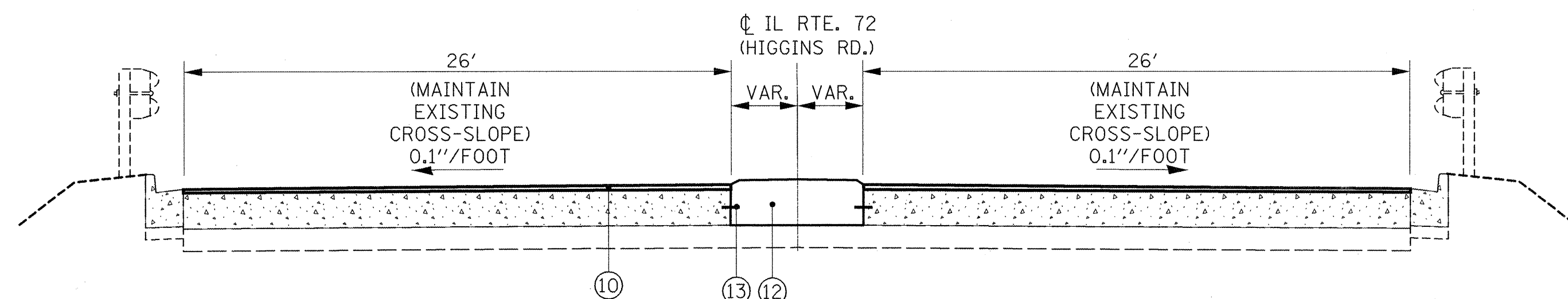
STAGING TYPICAL SECTION

STA. 105+13 TO 108+20



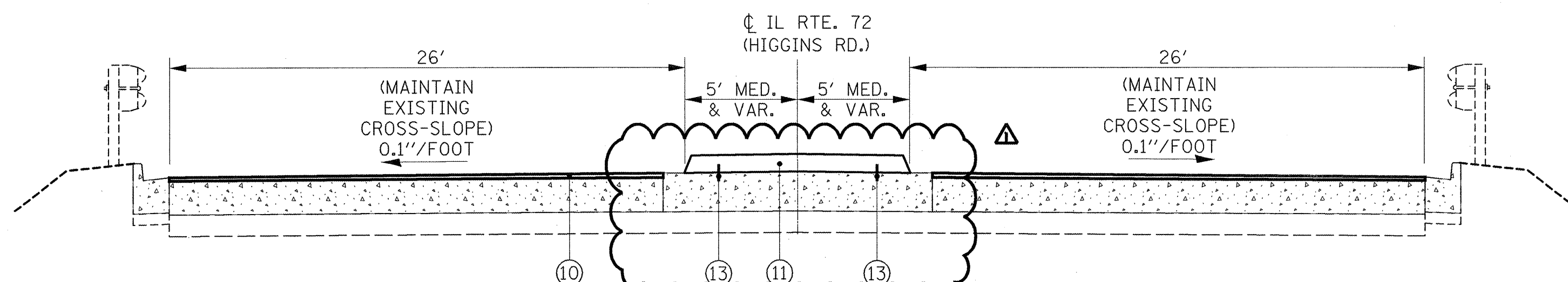
EXISTING TYPICAL SECTION

STA. 113+65 TO 114+26



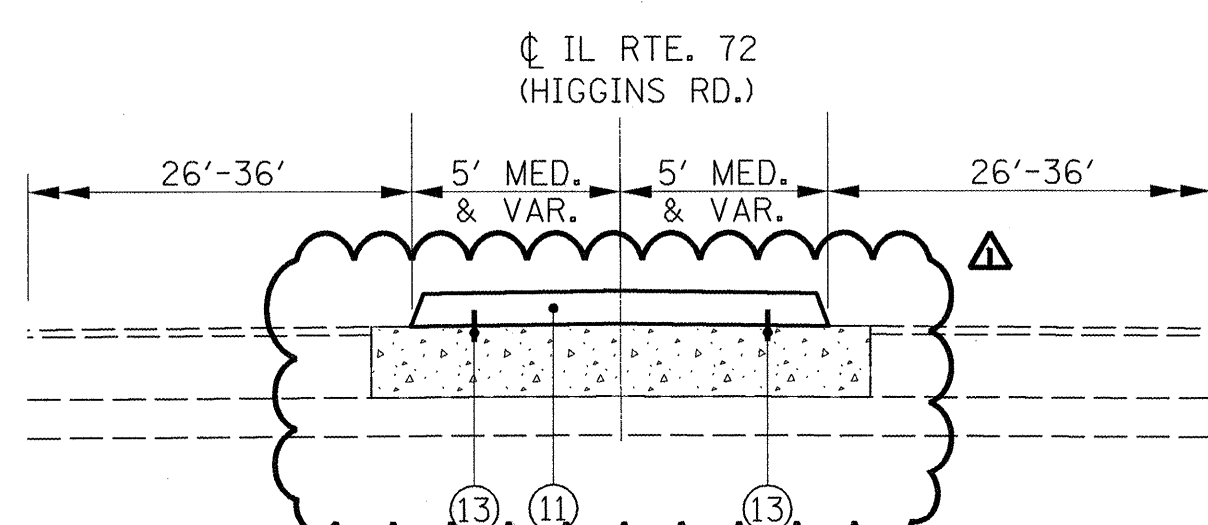
PROPOSED TYPICAL SECTION

PAVEMENT RESURFACING:
STA. 116+26 TO 116+93
MEDIAN REMOVAL AND REPLACEMENT:
STA. 116+26 TO 117+02



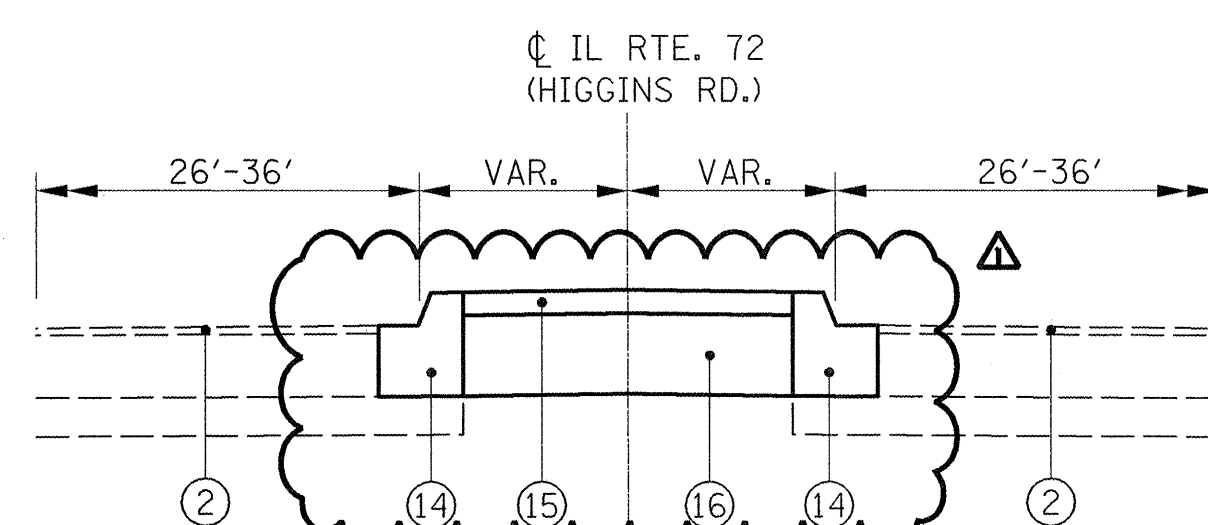
PROPOSED TYPICAL SECTION

STA. 113+68 TO 114+26



PROPOSED TYPICAL SECTION

STA. 109+19 TO 113+68



PROPOSED TYPICAL SECTION

STA. 105+13 TO 108+20

LEGEND

- ① EXISTING AGGREGATE BASE COURSE
- ② EXISTING HOT-MIX ASPHALT OVERLAY, 1 1/2"
- ③ EXISTING COMBINATION CURB AND GUTTER, TYPE B-6.24
- ④ EXISTING CONCRETE BARRIER MEDIAN TYPE SB-9.06
- ⑤ EXISTING CONCRETE CORRUGATED MEDIAN
- ⑥ EXISTING CONCRETE APPROACH SLAB
- ⑦ EXISTING COMBINATION CONCRETE CURB AND GUTTER, TYPE B-9.06
- ⑧ EXISTING CONCRETE MEDIAN SURFACE, 4"
- ⑨ PROPOSED HOT-MIX ASPHALT SURFACE REMOVAL, 1 3/4" Δ
- ⑩ PROPOSED POLYMERIZED HOT-MIX ASPHALT SURFACE COURSE, MIX "F", N90 1 3/4" Δ
- ⑪ PROPOSED CONCRETE BARRIER MEDIAN, TYPE SB-9 (DOWELLED) Δ
- ⑫ PROPOSED CONCRETE CORRUGATED MEDIAN
- ⑬ TIE BARS, NO. 5, 12" LONG, EMBEDDED 6" INTO EXISTING PAVEMENT @ 30" O.C. (SEE SHEET 26) Δ
- ⑭ PROPOSED COMBINATION CONCRETE CURB AND GUTTER, TYPE B-9.06
- ⑮ PROPOSED CONCRETE MEDIAN SURFACE, 4"
- ⑯ PROPOSED SUB-BASE GRANULAR MATERIAL TYPE 3 Δ
- ⑰ TEMPORARY PAVEMENT (HMA BINDER IL-19 mm) 10" Δ
- ⑱ HMA SURFACE COURSE, MIX "D", N50 (IL 9.5 mm), 1 1/2" (PAID FOR AS TEMPORARY PAVEMENT)

HOT-MIX ASPHALT MIXTURE REQUIREMENTS

	MIXTURE USES	VOIDS
MAIN ROADWAY RESURFACING	POLYMERIZED HOT-MIX ASPHALT SURFACE COURSE, MIX "F", N90 (IL-9.5mm)	4% @ 90 GYR.
TEMPORARY PAVEMENT	TEMP PAVEMENT (HMA BINDER IL-19 mm)	4% @ 50 GYR.
TEMPORARY PAVEMENT	HMA SURFACE COURSE, MIX "D", N50 (IL 9.5 mm)	4% @ 50 GYR.

NOTE:
THE UNIT WEIGHT USED TO CALCULATE ALL HOT-MIX ASPHALT SURFACE MIXTURES IS 112 LBS/SQ YD/IN.

THE "AC TYPE" FOR POLYMERIZED HMA MIXES SHALL BE "SBS/SBR PG 70-22" AND FOR NON-POLYMERIZED HMA THE "AC TYPE" SHALL BE "PG 64-22" UNLESS MODIFIED BY DISTRICT ONE SPECIAL PROVISIONS. FOR "PERCENT OF RAP" SEE DISTRICT ONE SPECIAL PROVISIONS.

Rev. 4-13-10

3/23/2010
 K:\11225522\CAD\Sheets\1172 Typical Sections.dgn
 USER: DJW
 MODEL:



Excellence through Ownership

200 West Front Street
Wheaton, IL 60187

DESIGNED - MTH	REVISED Δ 2/16/2010 IDOT COMMENTS
DRAWN - DJW	REVISED
CHECKED - MAK	REVISED
DATE - 3/23/2010 9:51:12 AM	REVISED

STATE OF ILLINOIS
DEPARTMENT OF TRANSPORTATION

IL-72 OVER DESPLAINES RIVER
SN 016-0665

TYPICAL SECTIONS

SCALE: NTS SHEET NO. 4 OF 33 SHEETS STA. TO STA.

F.A.U. RTE. 1350	SECTION 1292-I	COUNTY COOK	TOTAL SHEETS 33	SHEET NO. 4
CONTRACT NO. 60J57				
FED. ROAD DIST. NO. 1 ILLINOIS FED. AID PROJECT				