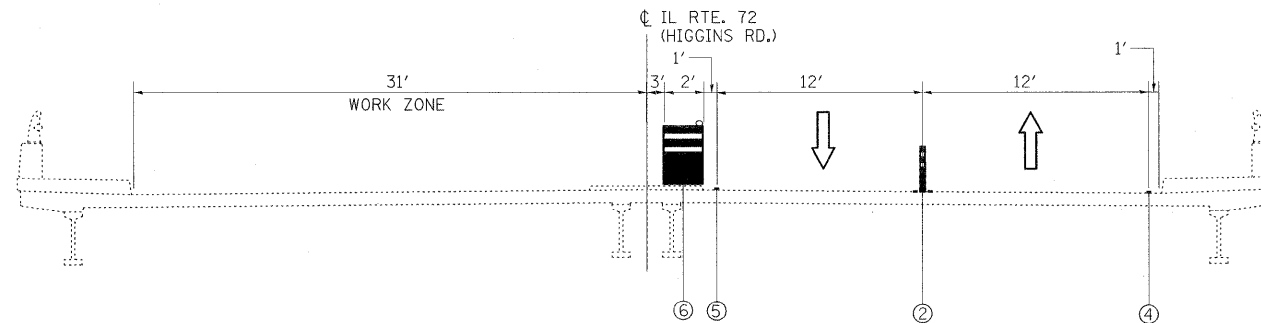


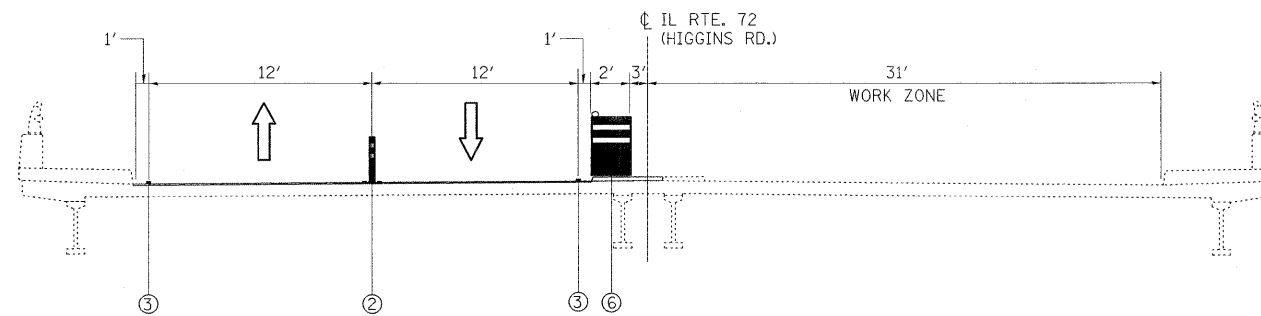
IL RTE. 72 – PRE-STAGE

(LOOKING EAST)



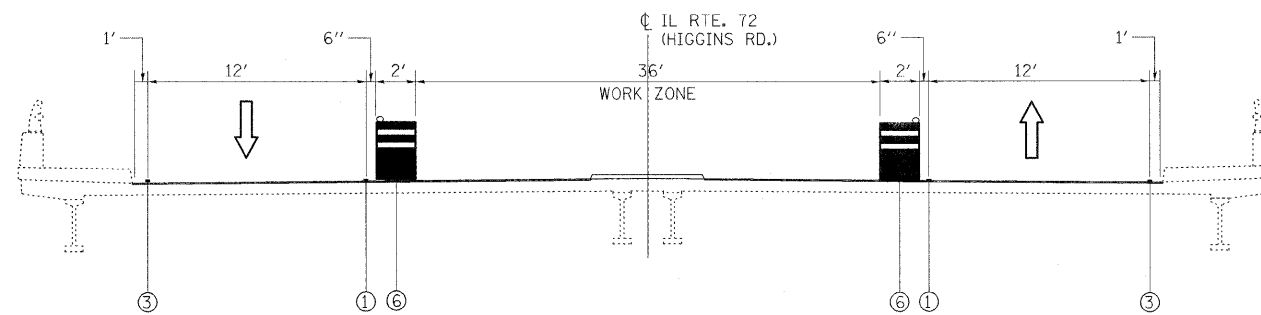
IL RTE. 72 – STAGE I

(LOOKING EAST)



IL RTE. 72 – STAGE II

(LOOKING EAST)



IL RTE. 72 – STAGE III

(LOOKING EAST)

PRE-STAGE

CONSTRUCTION:

- REMOVE CONCRETE MEDIAN SURFACE AND CONCRETE CURB AND GUTTER STA. 105+13 TO 108+20 AND REPLACE WITH TEMPORARY PAVEMENT TO BE FLUSH WITH ADJACENT PAVEMENT WITHIN THE LIMITS SHOWN
- REMOVE CONCRETE MEDIAN STA. 109+19 TO STA. 114+26 TO BE FLUSH WITH ADJACENT PAVEMENT WITHIN THE LIMITS SHOWN.
- REMOVE CONFLICTING MARKINGS AND IMPLEMENT STAGE I MOT PAVEMENT MARKINGS WITHIN THE WORK ZONE.

MAINTENANCE OF TRAFFIC:

- CLOSE INSIDE LANE IN BOTH DIRECTIONS PER THE MOT PLANS.
- CLOSURES ARE ANTICIPATED TO BE LIMITED TO OFF-PEAK HOURS, UNLESS OTHERWISE APPROVED BY THE ENGINEER.

STAGE I

CONSTRUCTION:

- PERFORM STRUCTURAL WORK ON NORTH HALF OF DECK AND ABUTMENTS.
- PARTIAL REMOVAL AND RESURFACING OF ROADWAY (TO PERMIT TRAFFIC FOR STAGE II WORK).
- REMOVE CONFLICTING MARKINGS AND IMPLEMENT STAGE II MOT PAVEMENT MARKINGS WITHIN THE WORK ZONE.

MAINTENANCE OF TRAFFIC:

- TRAFFIC REDUCED TO ONE LANE IN EACH DIRECTION, AND SHIFTED TO THE SOUTH SIDE OF THE EXISTING BRIDGE DECK.

STAGE II

CONSTRUCTION:

- PERFORM STRUCTURAL WORK ON SOUTH HALF OF DECK AND ABUTMENTS.
- PARTIAL REMOVAL AND RESURFACING OF ROADWAY (TO PERMIT TRAFFIC FOR STAGE III WORK).
- REMOVE CONFLICTING MARKINGS AND IMPLEMENT SHORT-TERM PAVEMENT MARKINGS.

MAINTENANCE OF TRAFFIC:

- TRAFFIC REDUCED TO ONE LANE IN EACH DIRECTION, AND SHIFTED TO THE NORTH SIDE OF THE REHABILITATED BRIDGE DECK.

STAGE III

CONSTRUCTION:

- REMOVE TEMPORARY PAVEMENT STA. 105+13 TO STA. 108+20 AND REPLACE CONCRETE CURB AND GUTTER AND CONCRETE MEDIAN SURFACE.
- COMPLETE MEDIAN REMOVAL AND RECONSTRUCT CONCRETE MEDIAN STA. 109+19 TO 114+26.
- APPLY BOTH SHORT-TERM AND PERMANENT PAVEMENT MARKINGS AND RAISED REFLECTIVE PAVEMENT MARKERS.

MAINTENANCE OF TRAFFIC:

- CLOSE INSIDE LANE IN BOTH DIRECTIONS PER THE MOT PLANS. ONCE MEDIAN HAS BEEN RECONSTRUCTED AND THERE ARE NO DROP-OFFS TO THE PAVEMENT, DAILY LANE CLOSURES PER STD. 701422 MAY BE USED.

SEE SHEET 2 FOR TRAFFIC CONTROL AND PROTECTION NOTES.

LEGEND

- ① TYPE III TEMPORARY PAVEMENT MARKING TAPE, FOR WET CONDITIONS, 4" SOLID YELLOW LINE (TYP)
- ② TYPE III TEMPORARY PAVEMENT MARKING TAPE, FOR WET CONDITIONS, 4" DOUBLE YELLOW LINE @ 11" O.C. (TYP)
STA. 112+80 TO STA. 122+00
FLEXIBLE DELINEATORS
- ③ TYPE III TEMPORARY PAVEMENT MARKING TAPE, FOR WET CONDITIONS, 4" SOLID WHITE LINE (TYP)
- ④ EXISTING PAVEMENT MARKING, 4" SOLID WHITE LINE (TYP)
- ⑤ EXISTING PAVEMENT MARKING, 4" SOLID YELLOW LINE (TYP)
- ⑥ DRUM WITH STEADY BURN MONODIRECTIONAL LIGHT

1/28/2010 1:28:37 PM
 C:\Users\mak\Documents\1172 MOT TypSec.dgn
 dwg
 TypSec

DESIGNED - MTH	REVISED -
DRAWN - DJW	REVISED -
CHECKED - MAK	REVISED -
DATE - 1/28/2010 6:25:37 PM	REVISED -

F.A.J. RTE. 1350	SECTION 1292-1	COUNTY COOK	TOTAL SHEETS 33	SHEET NO. 8
CONTRACT NO. 60J57				
FED. ROAD DIST. NO. 1 ILLINOIS FED. AID PROJECT				