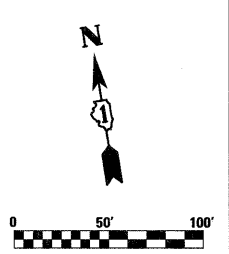
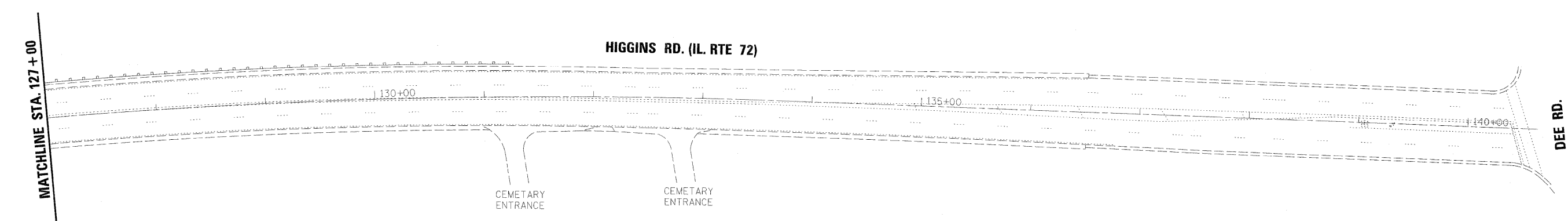
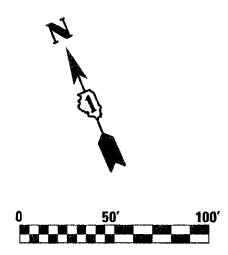
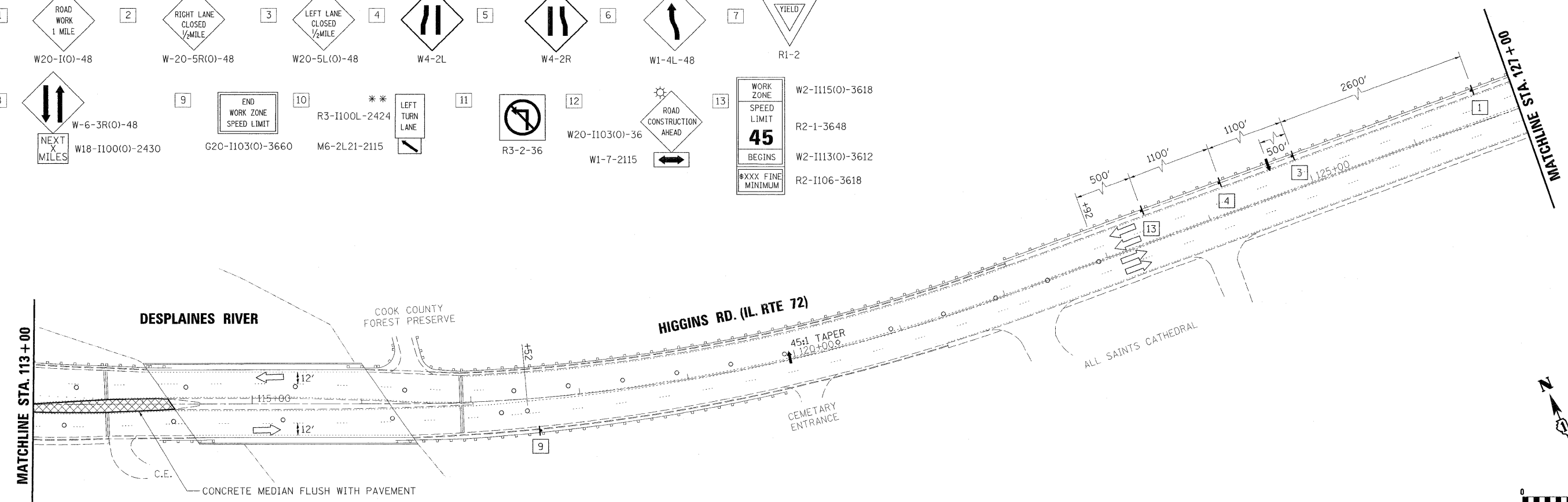


- 1 ROAD WORK 1 MILE W20-I(0)-48
- 2 RIGHT LANE CLOSED 1/2 MILE W-20-5R(0)-48
- 3 LEFT LANE CLOSED 1/2 MILE W20-5L(0)-48
- 4 W4-2L
- 5 W4-2R
- 6 W1-4L-48
- 7 R1-2
- 8 NEXT X MILES W-6-3R(0)-48
- 9 END WORK ZONE SPEED LIMIT W18-I100(0)-2430
- 10 R3-I100L-2424
- 11 ** LEFT TURN LANE M6-2L21-2115
- 12 R3-2-36
- 13 ROAD CONSTRUCTION AHEAD W20-I103(0)-36 W1-7-2115
- WORK ZONE SPEED LIMIT 45 W2-II15(0)-3618
- R2-1-3648
- W2-II13(0)-3612
- R2-II06-3618



- LEGEND**
- WORK AREA
 - SIGN
 - * TYPE II BARRICADE WITH STEADY BURN MONODIRECTIONAL LIGHT, OR DRUM WITH STEADY BURN MONODIRECTIONAL LIGHT, OR DIRECTION INDICATOR BARRICADE WITH STEADY BURN MONODIRECTIONAL LIGHT
 - ⊙ 50' C-C
 - ARROW BOARD
- * SEE STATE STANDARD 701431-05
 ** SEE DISTRICT 1 STANDARD TC14
 TRAFFIC CONTROL AND PROTECTION AT TURN BAYS (TO REMAIN OPEN TO TRAFFIC)

NOTE: ALL CONFLICTING PAVEMENT MARKING AND RAISED REFLECTIVE PAVEMENT MARKERS SHALL BE REMOVED

1/28/2010 12:25:37 PM
 C:\Users\jngroup\Documents\1172_MOT_Pre-Stage.dgn
 USER: jngroup
 MODEL: Pre-Stage-2

rjngroup
 Excellence through Ownership
 200 West Front Street
 Wheaton, IL 60187

DESIGNED - MTH	REVISED -
DRAWN - DJW	REVISED -
CHECKED - MAK	REVISED -
DATE - 1/28/2010 6:25:37 PM	REVISED -

**STATE OF ILLINOIS
 DEPARTMENT OF TRANSPORTATION**

**IL-72 OVER DESPLAINES RIVER
 SN 016-0665**

**MAINTENANCE OF TRAFFIC
 PRE-STAGE**

F.A.U. RTE. 1350	SECTION 1292-1	COUNTY COOK	TOTAL SHEETS 33	SHEET NO. 10
CONTRACT NO. 60J57				
FED. ROAD DIST. NO. 1 ILLINOIS FED. AID PROJECT				

SCALE: 1"=50' SHEET NO. 10 OF 33 SHEETS STA. 113+00 TO STA. 140+00