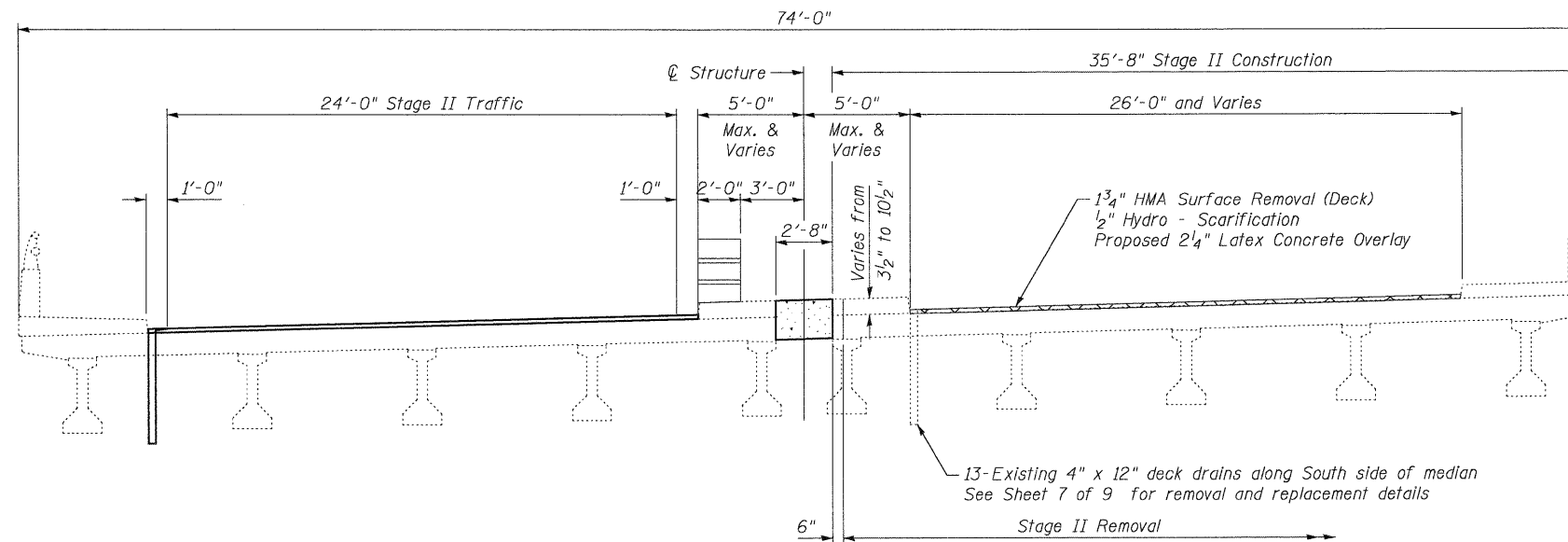


STAGE I CROSS SECTION
(Looking East)

16-Existing 4" x 12" deck drains along North sidewalk
See Sheet 7 of 9 for removal and replacement details



STAGE II CROSS SECTION
(Looking East)

Note:
Cross sections are shown outside expansion joint reconstruction area.
Parapet and deck will be removed full width in expansion joint reconstruction area. See plan on Sheet 3 of 9.
Cross hatched area indicates concrete removal outside expansion joint reconstruction. See roadway plans for maintenance of traffic details.

STAGE CONSTRUCTION DETAILS
STRUCTURE NO. 016-0665

PLOT DATE = 02/16/2010
FILE NAME = \\0160665-01\ST-002-stage-construction.dgn
USER NAME = CFC

| | | | | | | | |
|--|--|-------------------------|-----------------------|--------------------|----------------|--------------------|-----------------|
| Coombe-Bloxdorf P.C. -CIVIL ENGINEERS- -STRUCTURAL ENGINEERS- -LAND SURVEYORS- Design Firm License No. 184-002703 | PROJECT NO. 07047-22 SCALE DATE DRAWN BY CFC CHECKED BY MCB | SHEET NO. 2 9 SHEETS | F.A.U RTE. 1350 | SECTION 1292-1 | COUNTY COOK | TOTAL SHEETS 33 | SHEET NO. 18 |
| | FED. ROAD DIST. NO. ILLINOIS FED. AID PROJECT | | | CONTRACT NO. 60J57 | | | |