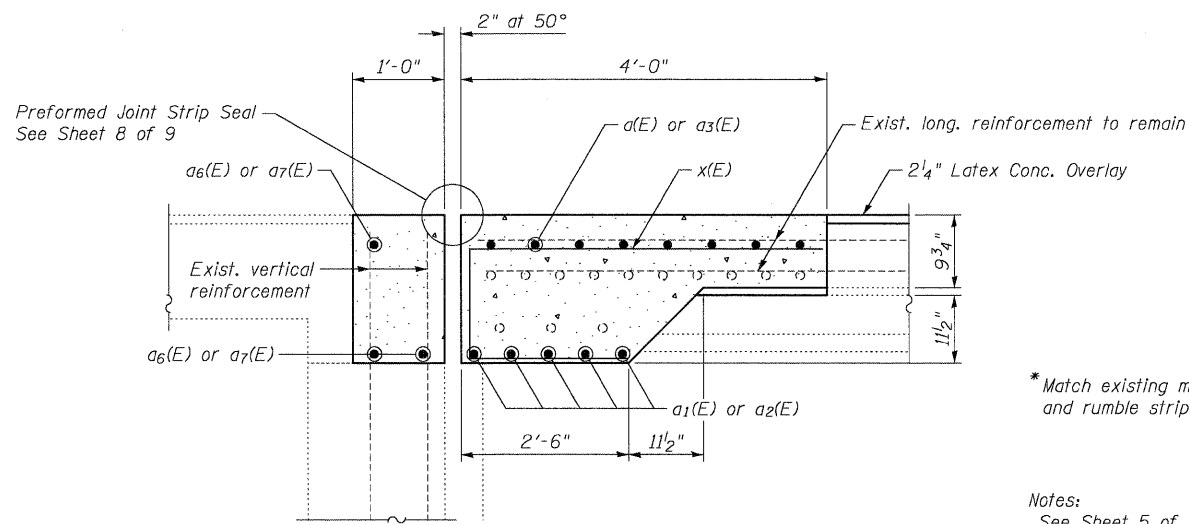
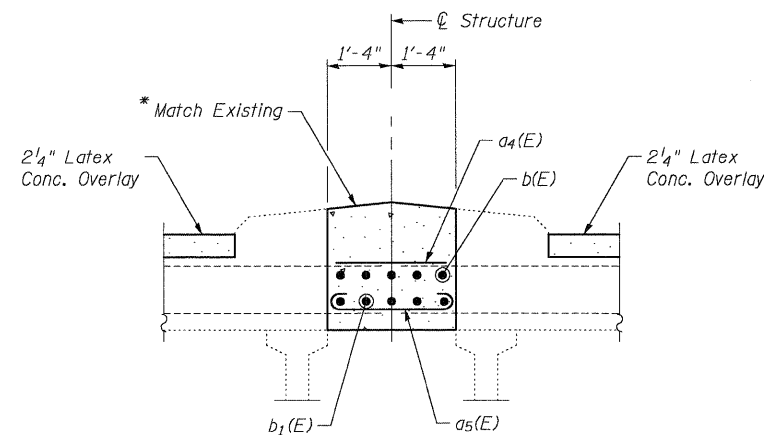


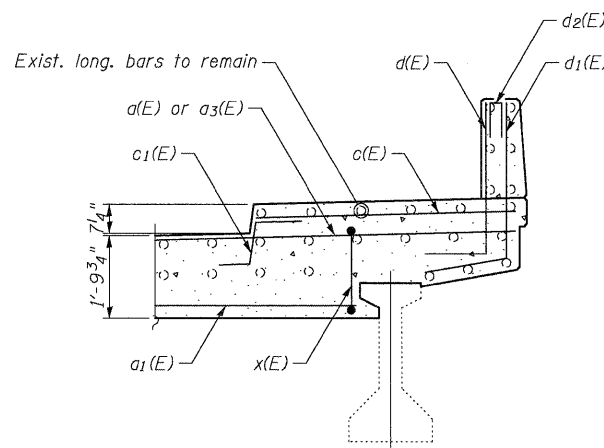
CROSS SECTION AT EXPANSION JOINT
(Looking East)



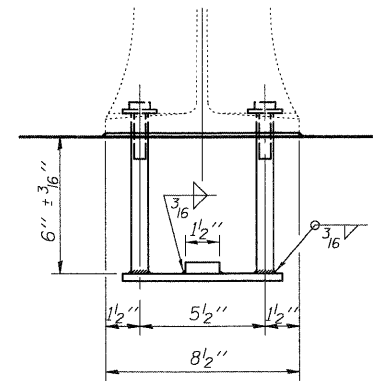
SECTION B-B AT ABUTMENT



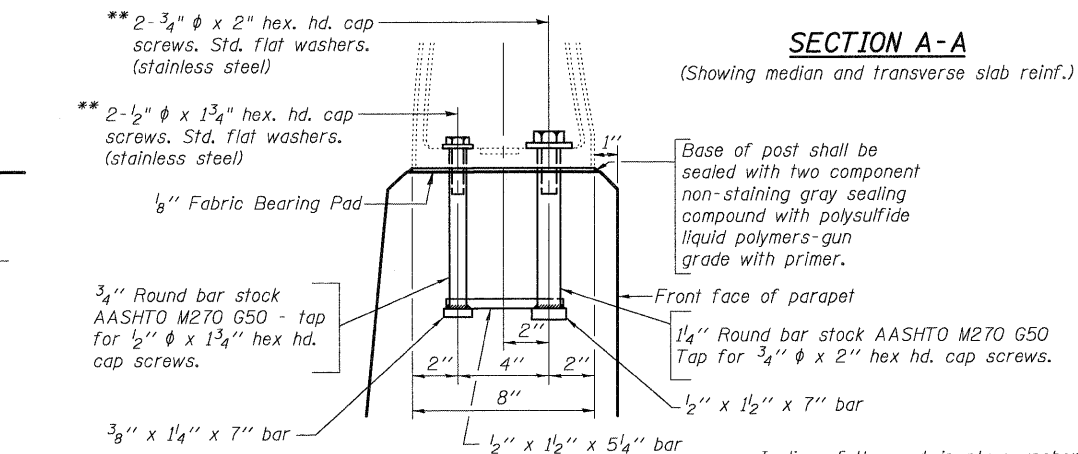
SECTION C-C



CURB SECTION AT EXP. JT.



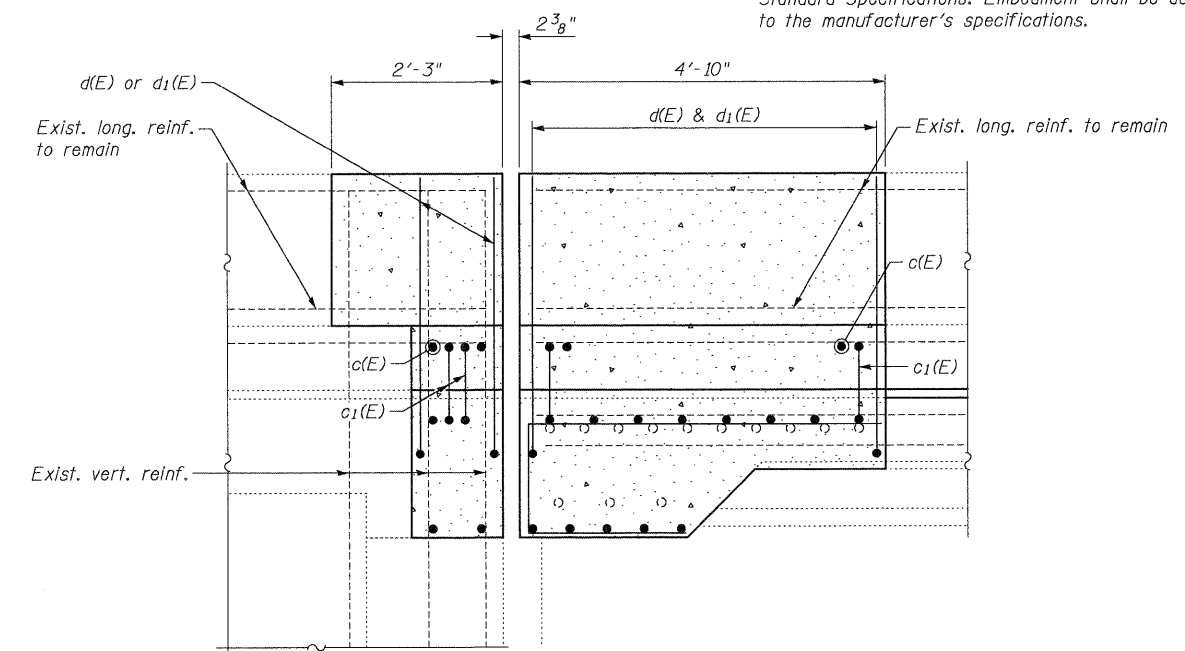
SIDE VIEW



RAIL POST DETAILS

SECTION AT RAIL POST

** In lieu of the cast-in-place anchor device shown, the Contractor has the option of drilling and setting stainless steel anchor rods of the same diameter and grade as the specified cap screws according to Article 509.06 of the Standard Specifications. Embedment shall be according to the manufacturer's specifications.



SECTION E-E
(Showing parapet & sidewalk)

SUPERSTRUCTURE DETAILS
STRUCTURE NO. 016-0665

* Match existing median elevations, slopes and rumble strip configurations.

Notes:
See Sheet 5 of 9 for locations of Sec. A-A, Sec. B-B, Sec. C-C and Sec. E-E.
Work this sheet with Sheet 5 of 9.

PLOT DATE = 02/16/2010
FILE NAME = \\0160665-60J57-006-superstructure-details.dgn
USER NAME = CFC

Coombe-Bloxdorf P.C. - CIVIL ENGINEERS - - STRUCTURAL ENGINEERS - - LAND SURVEYORS - Design Firm License No. 184-002703	PROJECT NO. 07047-22 SCALE: 1" = 1'-0" DATE: / / DESIGN BY: MCB DRAWN BY: CFC CHECKED BY: MCB	SHEET NO. 6 9 SHEETS	F.A.U. RTE. 1350 SECTION 1292-1 COUNTY COOK CONTRACT NO. 60J57	TOTAL SHEETS 33 SHEET NO. 22
	FED. ROAD DIST. NO. ILLINOIS FED. AID PROJECT			