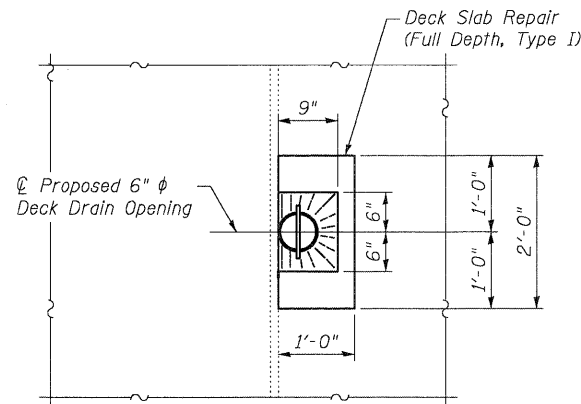
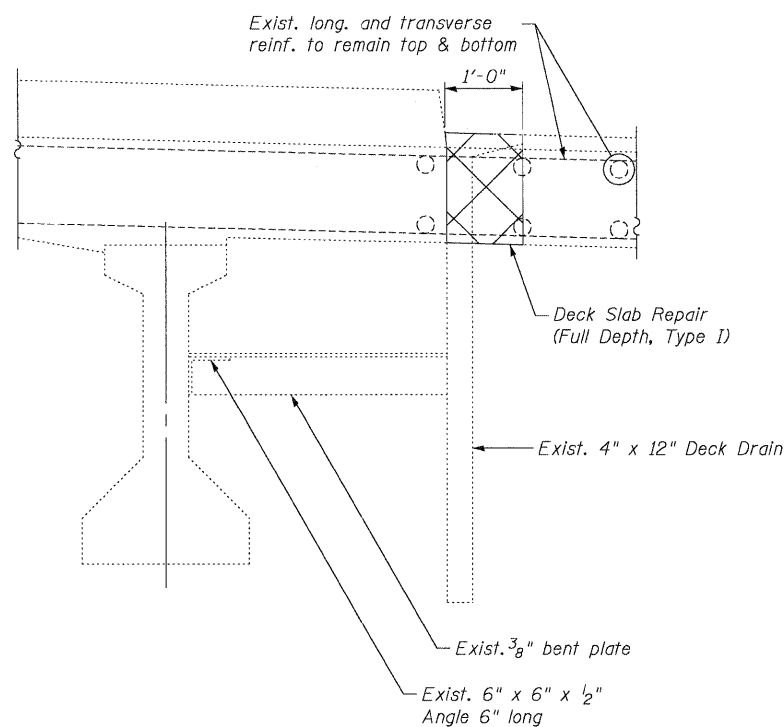
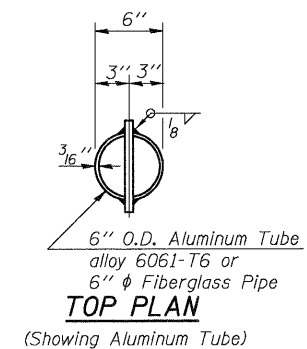
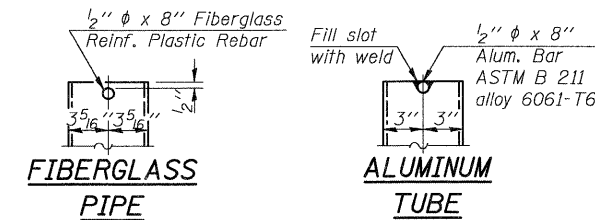


PARTIAL PLAN AT EXISTING DECK DRAINS

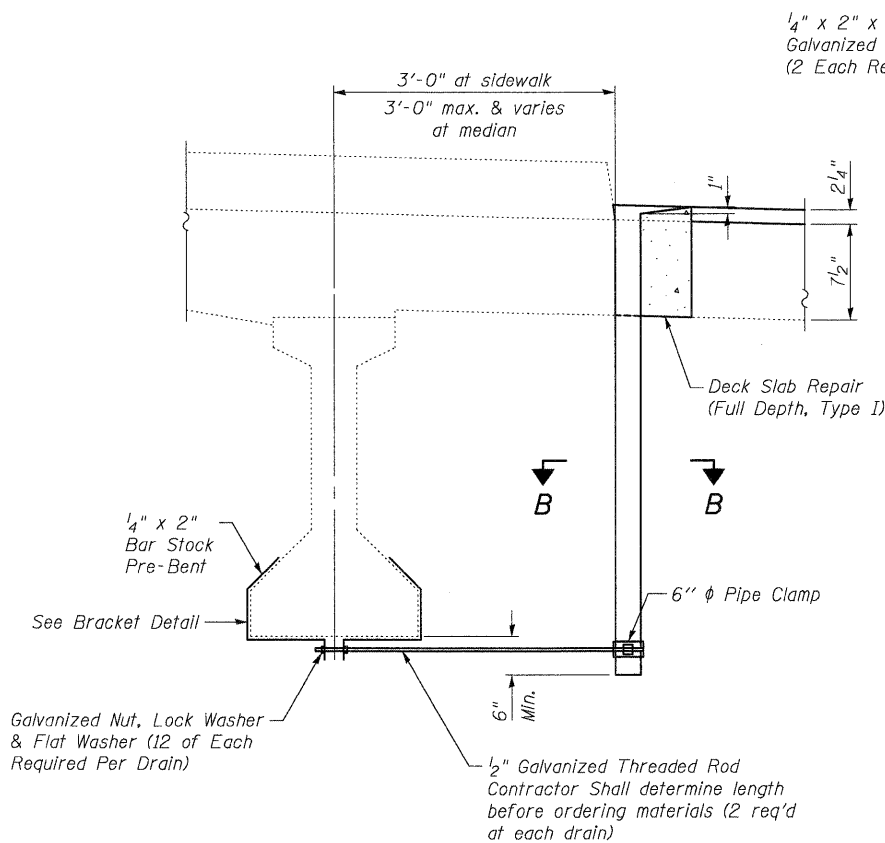


PARTIAL PLAN AT PROPOSED DECK DRAINS

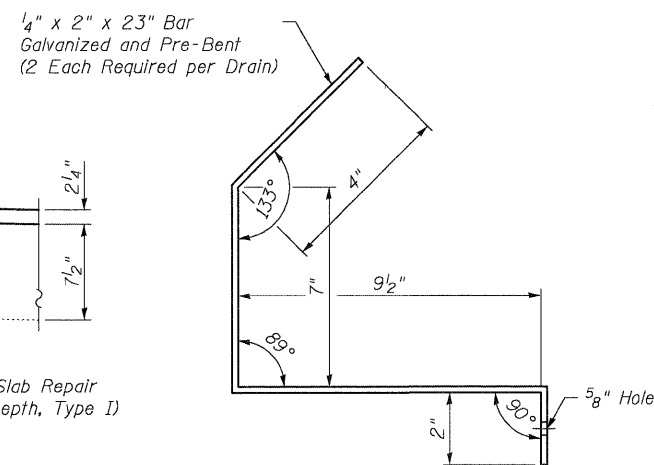


SECTION AT EXISTING DRAIN

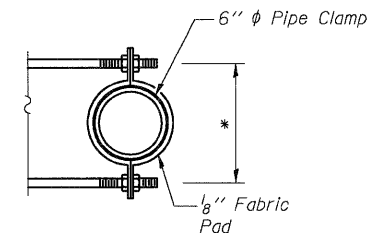
Cross hatched areas indicate Deck Slab Repair (Full Depth, Type I). Remove and dispose of existing 4" x 12" deck drains, 3/8" bent plate and 6" x 6" x 1/2" angle. Cost included with Deck Slab Repair (Full Depth, Type I).



SECTION AT PROPOSED DRAIN



BRACKET DETAIL



SECTION B-B
* Dimension as required by Pipe Clamp

BILL OF MATERIAL

ITEM	UNIT	TOTAL
Floor Drains	Each	29

Notes:
Fiberglass pipe shall conform to ASTM D2996, with short-time rupture strength hoop tensile stress of 30,000 p.s.i. minimum.
The exterior surfaces of the floor drains shall be coated or pigmented by the manufacturer with a color that matches the concrete.
The clamping device and inserts shall be galvanized according to AASHTO M 232. Cost of clamping device and inserts included with Floor Drains.
Nuts, washers, threaded rods and brackets shall not be paid for separately but shall be included in the cost of Floor Drains.

DRAIN DETAILS
STRUCTURE NO. 016-0665

Coombe-Bloxdorf P.C. - CIVIL ENGINEERS - - STRUCTURAL ENGINEERS - - LAND SURVEYORS - Design Firm License No. 184-002703	PROJECT NO. 07047-22 SCALE / / DATE / / DESIGN BY MCB DRAWN BY CFC CHECKED BY MCB	SHEET NO. 7 9 SHEETS	F.A.U. RTE. 1350 SECTION 1292-1 COUNTY COOK CONTRACT NO. 60J57	TOTAL SHEETS 33 SHEET NO. 23
	FED. ROAD DIST. NO. ILLINOIS FED. AID PROJECT			