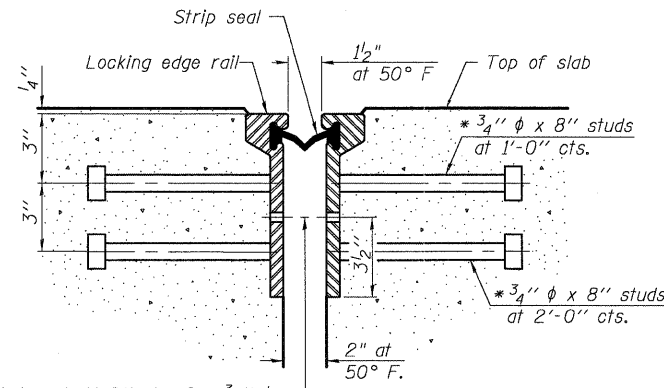
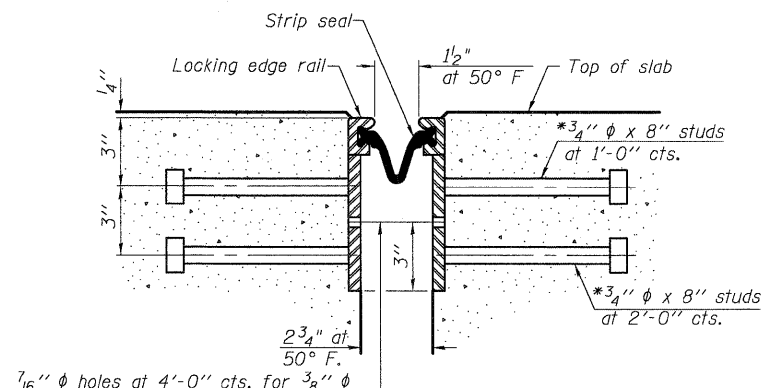


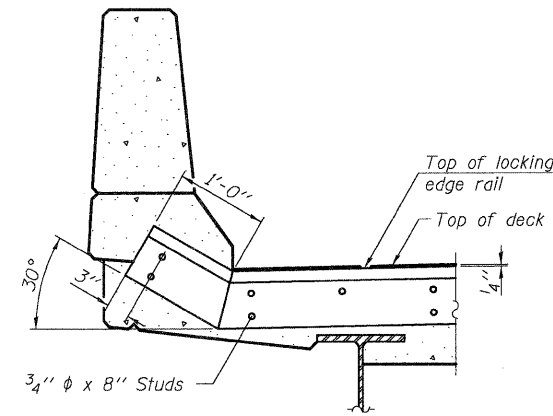
* Granular or solid Flux filled headed studs conforming to Article 1006.32 of the Std. Specs., automatically end welded.



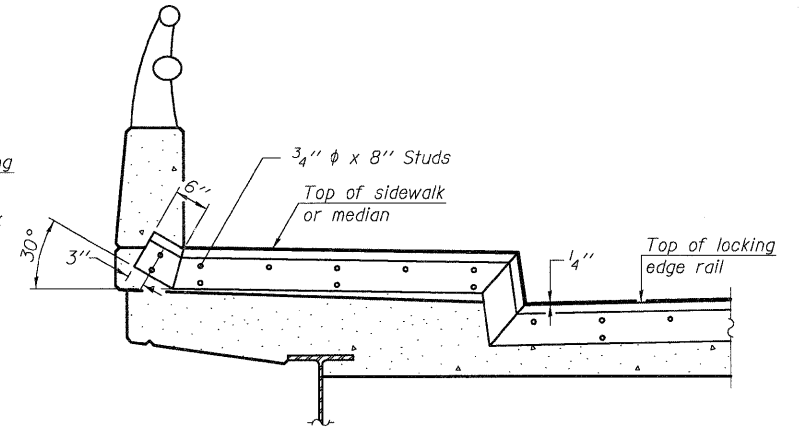
SECTION THRU ROLLED RAIL JOINT



SECTION THRU WELDED RAIL JOINT



AT PARAPET
See Section A-A for end treatment of skews > 30°.



AT SIDEWALK OR MEDIAN
Shorter plates with a single row of studs at 12 inch cts. may be necessary on medians which are shallower than 9°. See manufacturer's recommendation.

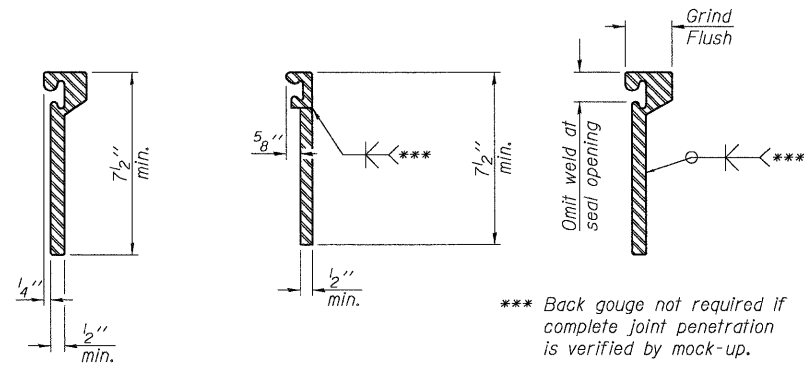
7/16 inch diameter holes at 4 foot 0 inch centers for 3/8 inch diameter bolts. All bolts shall be burned, sawed, or chipped off flush with the plates after forms are removed, typ.

7/16 inch diameter holes at 4 foot 0 inch centers for 3/8 inch diameter bolts. All bolts shall be burned, sawed, or chipped off flush with the plates after forms are removed, typ.

TYPICAL END TREATMENTS

Notes:

The strip seal shall be made continuous and shall have a minimum thickness of 1/4 inch. The configuration of the strip seal shall match the configuration of the Locking Edge Rails. Open or "webbed" strip seal gland configurations are not permitted. The gland shall be sized for a maximum rated movement of 4 inches. The Locking Edge Rails depicted are conceptual only, except for the minimum dimensions shown. The actual configuration of the Locking Edge Rails and matching strip seal may vary from manufacturer to manufacturer. Flanged edge rails will not be allowed. Locking Edge Rails may be spliced at slope discontinuities. The manufacturer's recommended installation methods shall be followed. The joint opening and deck dimensions detailed on the superstructure are based on a rolled rail expansion joint. If the Contractor elects to use the welded rail expansion joint, the opening and deck dimensions shall be modified according to the dimensions detailed on this sheet. Required modifications shall be made at no additional cost to the State. All steel components shall be galvanized after fabrication according to Article 520.03 of the Standard Specifications. Maximum space between rail segments at stage lines shall be 3/16 inch, sealed with a suitable sealant.



ROLLED EXTRUDED RAIL

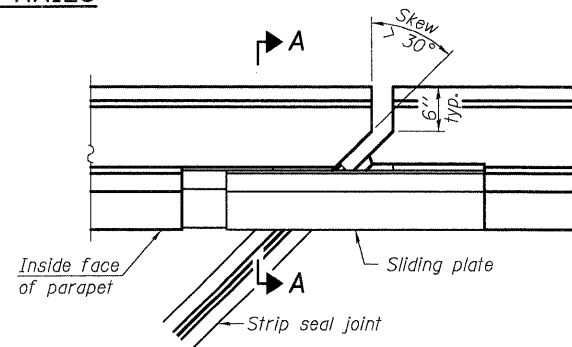
WELDED RAIL

*** Back gouge not required if complete joint penetration is verified by mock-up.

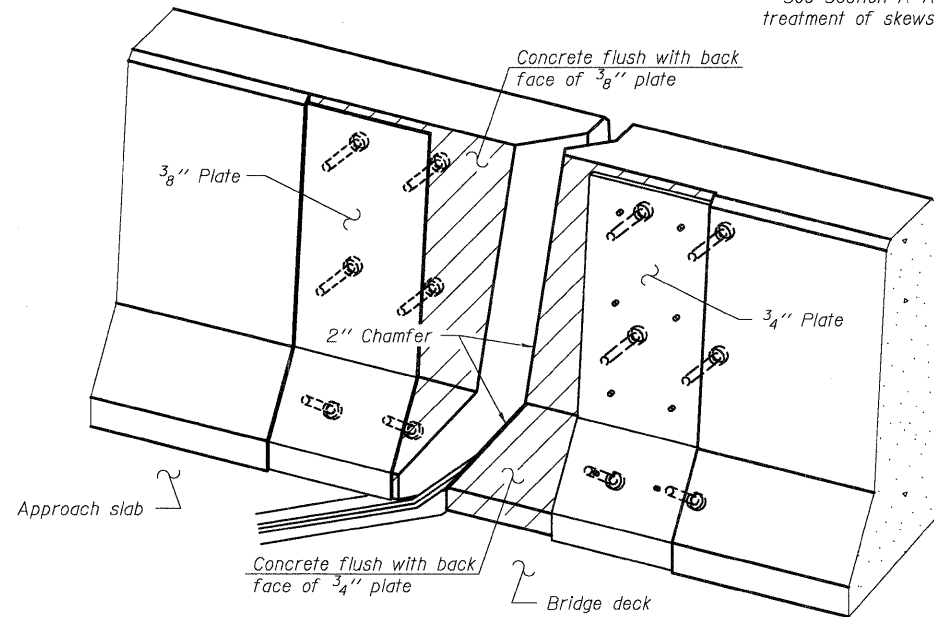
LOCKING EDGE RAIL SPLICE

The inside of the locking edge rail groove shall be free of weld residue. Rolled rail shown, welded rail similar.

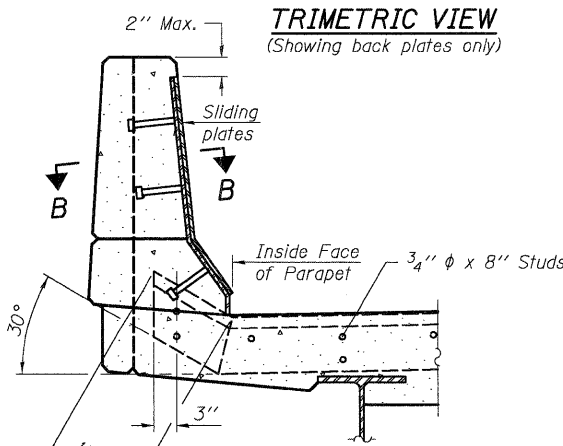
LOCKING EDGE RAILS



PLAN

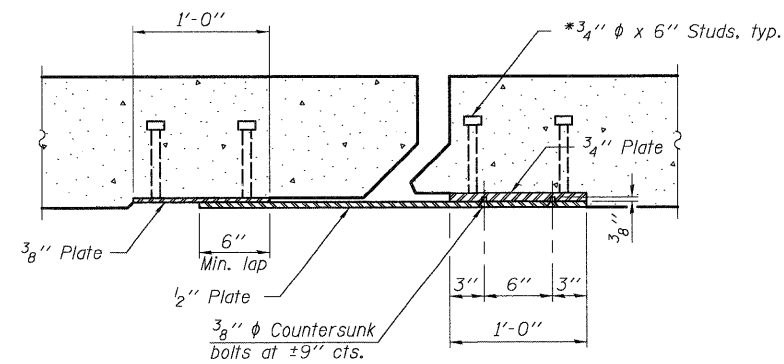


TRIMETRIC VIEW
(Showing back plates only)



SECTION A-A

POINT BLOCK DETAILS
(for skews > 30°)



SECTION B-B

BILL OF MATERIAL

Item	Unit	Total
Preformed Joint Strip Seal	Foot	181

PREFORMED JOINT STRIP SEAL STRUCTURE NO. 016-0665

CB Coombe-Bloxdorf P.C.
- CIVIL ENGINEERS -
- STRUCTURAL ENGINEERS -
- LAND SURVEYORS -
Design Firm License No. 184-002703

PROJECT NO. 07047-22
SCALE / /
DATE / /
DESIGN BY MCB
DRAWN BY CFC
CHECKED BY MCB

SHEET NO. 8
9 SHEETS

F.A.U RTE.	SECTION	COUNTY	TOTAL SHEETS	SHEET NO.
1350	1292-1	COOK	33	24
CONTRACT NO. 60J57				
FED. ROAD DIST. NO.		ILLINOIS FED. AID PROJECT		

PLOT DATE = 02/16/2010
FILE NAME = \\016665-60J57-008-preformed-joint-strip-seal.dwg
USER NAME = CFC