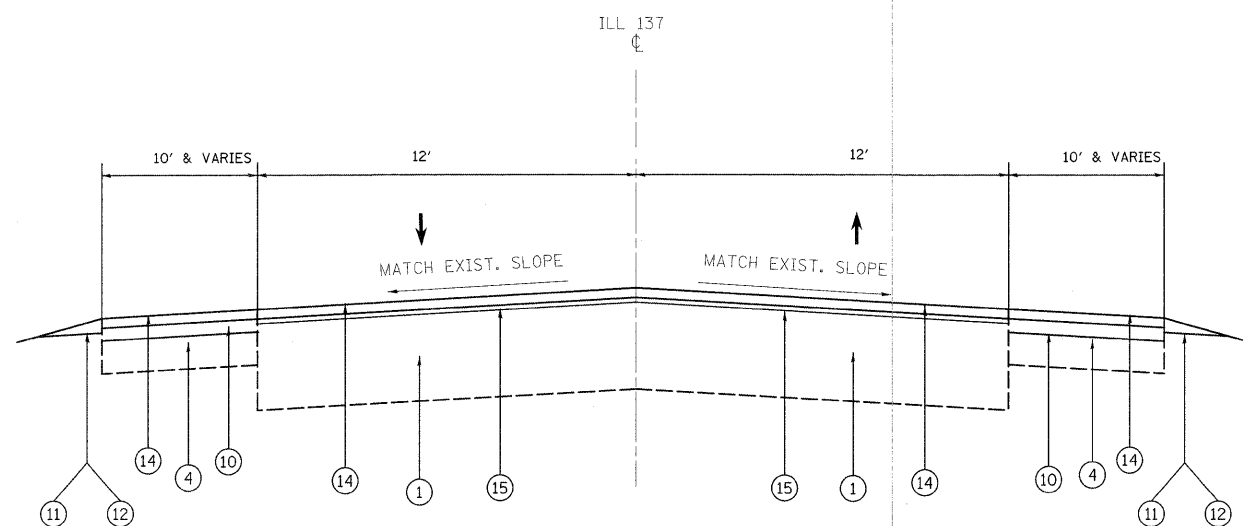


EXISTING TYPICAL SECTION
ILL 137.
STATION:
33+22 TO 49+09



PROPOSED TYPICAL SECTION
ILL 137
STATION:
33+22 TO 49+09

LEGEND

- ① EXIST. P.C. CONCRETE PAVEMENT , ± 9"
- ② EXIST. HOT-MIX ASPHALT SURFACE COURSE (BEFORE MILLING), ± 5 1/4"
- ③ EXIST. AGGREGATE SHOULDER
- ④ EXIST. HOT-MIX ASPHALT SHOULDER, 8"
- ⑤ EXISTING DITCH
- ⑥ EXIST. CONCRETE CURB AND GUTTER TYP B-6. 12
- ⑦ EXISTING PC CONCRETE MEDIAN
- ⑧ EXIST. STABILIZED SHOULDERS
- ⑨ PROP. HMA SURFACE REMOVAL 1"
- ⑩ PROP. HMA BINDER COURSE, IL 19-0, N70, 3"
- ⑪ PROP. AGGREGATE WEDGE SHOULDER, TYPE B
- ⑫ PROP. GRADING AND SHAPING SHOULDERS
- ⑬ PROP. HOT-MIX ASPHALT SURFACE REMOVAL, 2 1/4"
(3" OF HOT-MIX ASPHALT TO REMAIN)
- ⑭ PROP. HOT-MIX ASPHALT SURFACE COURSE, MIX "D", N70, 1 1/2"
- ⑮ PROP. POLYMERIZED LEVELING BINDER (MM), IL-4.75, N70, 1"
- ⑯ PROP. POLYMERIZED LEVELING BINDER (MM), IL-4.75, N70, 3/4"
- ⑰ PROP. CONCRETE CURB AND GUTTER REMOVAL AND REPLACEMENT
(LOCATIONS TO BE DETERMINED BY THE RESIDENT ENGINEER)

FILE NAME =	USER NAME = whitetar	DESIGNED - TARHONDA WHITE	REVISED -	STATE OF ILLINOIS DEPARTMENT OF TRANSPORTATION	ILL 137 (US 45 TO BUTTERFIELD ROAD) EXISTING AND PROPOSED TYPICAL SECTIONS	F.A.P. RTE. 352	SECTION 2R-RS-2	COUNTY LAKE	TOTAL SHEETS 20	SHEET NO. 5		
es:\pw_work\pwidot\whitetar\d0175544\0125910-shit-plan.dgn	PLOT SCALE = 50,0000 ' / IN.	DRAWN -	REVISED -			SCALE: NONE	SHEET NO. OF SHEETS	STA. 17+94 TO STA. 1+82	CONTRACT NO. 60J64			
	PLOT DATE = 2/4/2010	CHECKED -	REVISED -			ILLINOIS FED. AID PROJECT						
		DATE -	REVISED -									