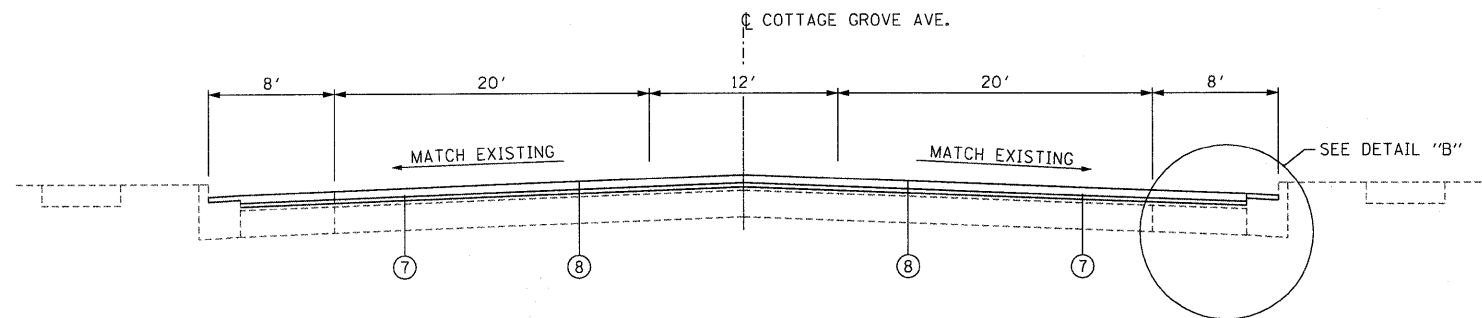


**EXISTING TYPICAL SECTION**

COTTAGE GROVE AVE.  
STA 193+00 TO STA. 254+00



**PROPOSED TYPICAL SECTION**

COTTAGE GROVE AVE.  
STA 193+00 TO STA. 254+00

**LEGEND**

- ① EXISTING HMA SURFACE, 3 1/4" +/-
- ② EXISTING +/-9" P.C.C BASE
- ③ EXISTING B-6.12 CURB & GUTTER
- ④ EXISTING P.C.C. SIDEWALK
- ⑤ PROPOSED HMA SURFACE REMOVAL, 2 1/2" (SEE NOTE 1)
- ⑥ PROPOSED HMA SURFACE REMOVAL (VARIABLE DEPTH)
- ⑦ PROPOSED POLYMERIZED LEVELING BINDER (MACHINE METHOD), IL-4.75, N50, (3/4")
- ⑧ PROPOSED POLYMERIZED HMA SURFACE COURSE, MIX. F, N90 (IL-9.5 MM), 1 3/4"

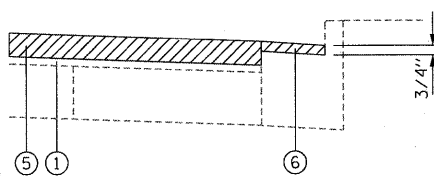
**NOTES**

1. THE CONTRACTOR SHALL PERFORM THE PAVEMENT PATCHING OPERATIONS PRIOR TO THE HMA SURFACE REMOVAL OPERATION. SEE IDOT DISTRICT 1 DETAIL PAVEMENT PATCHING FOR HMA SURFACED PAVEMENT (BD-22) FOR ADDITIONAL INFORMATION.

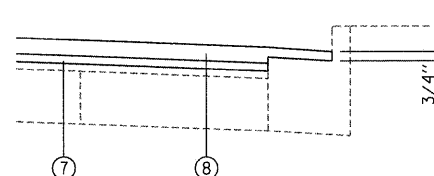
HOT MIX ASPHALT MIXTURE REQUIREMENTS	
MIXTURE TYPE	AIR VOIDS @ Ndes
PAVEMENT RESURFACING	
POLYMERIZED HOT-MIX ASPHALT SURFACE COURSE, MIX "F", N90 (IL-9.5mm)	4% @ 90 GYR.
POLYMERIZED LEVELING BINDER (MACHINE METHOD), IL-4.75, N50	4% @ 50 GYR.
PATCHING	
CLASS D PATCHES (HMA BINDER IL-19 MM)	4% @ 70 GYR.
HMA REPLACEMENT OVER PATCHES (HMA BINDER IL-19MM)	4% @ 70 GYR.
DRIVEWAY	
HMA SURFACE COURSE, MIX C, N50 (IL 9.5 MM); 2"	4% @ 50 GYR.
HMA BASE COURSE (HMA BINDER IL-19MM); PE -6", CE -8"	4% @ 50 GYR.

**MIXTURE NOTES:**

1. THE UNIT WEIGHT USED TO CALCULATE ALL HOT-MIX ASPHALT SURFACE MIXTURES IS 112 LBS/50 YD/IN
2. THE "AC TYPE" FOR POLYMERIZED HMA MIXES SHALL BE "SBS/SBR PG70-22" AND FOR NON-POLYMERIZED HMA THE "AC TYPE" SHALL BE "PG 64-22" UNLESS MODIFIED BY DISTRICT ONE SPECIAL PROVISIONS. FOR "PERCENT OF RAP" SEE DISTRICT ONE SPECIAL PROVISIONS.



**DETAIL "A"**



**DETAIL "B"**

FILE NAME = P:\2009\ME09006\_Ver-Yer-Ph\1\CADD\W01\CottageGr\Shets\05-D168168-shi-CottageGr-TYP.dgn  
 PLOT SCALE = 6.0000 / IN.  
 USER NAME = Millennia Professional Services



200 22ND Street, Suite 216, Lombard, IL 60148  
630.785.0110 voice, 630.839.2566 fax  
WWW.MPS-IL.COM

**MILLENNIA PROFESSIONAL SERVICES**

DESIGNED - CJD	REVISED -
DRAWN - CJD	REVISED -
CHECKED - RPD	REVISED -
DATE - 2/15/2010	REVISED -

**STATE OF ILLINOIS  
DEPARTMENT OF TRANSPORTATION**

**COTTAGE GROVE AVENUE  
83RD STREET TO 92ND STREET**

**TYPICAL SECTIONS**

F.A.U. RTE.	SECTION	COUNTY	TOTAL SHEETS	SHEET NO.
2919	2009-118 RS	COOK	29	5
CONTRACT NO.			60J68	

SCALE: SHEET NO. OF SHEETS STA. TO STA.

FED. ROAD DIST. NO. 1 ILLINOIS FED. AID PROJECT

P:\2009\ME09006\_Ver-Yer-Ph\1\CADD\W01\CottageGr\Shets\05-D168168-shi-CottageGr-TYP.dgn

TYP-01