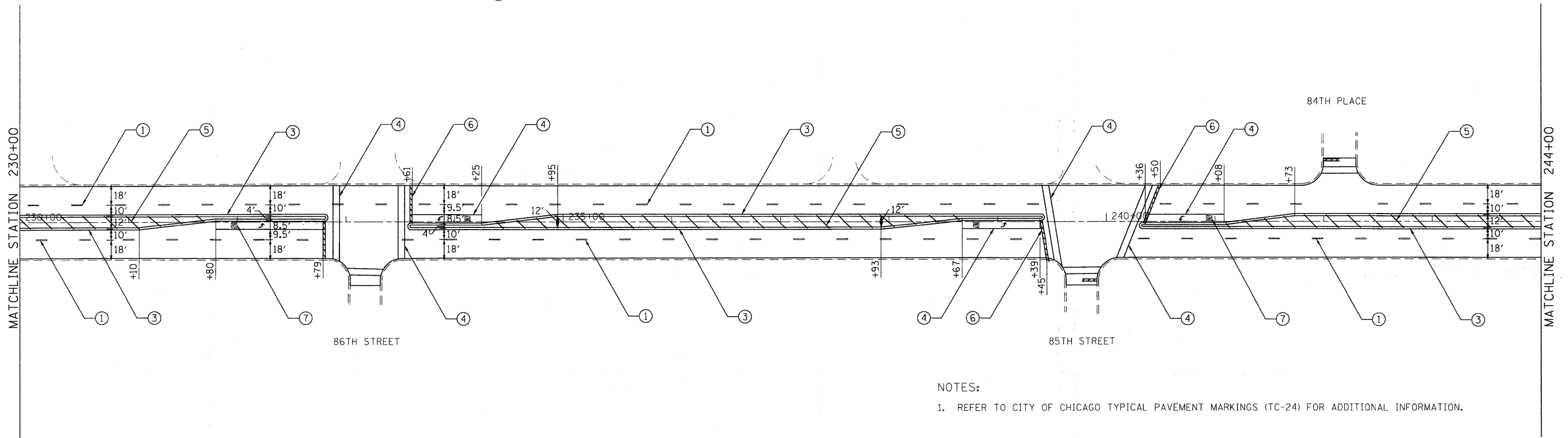


PAVEMENT MARKING LEGEND (SEE NOTE 1)

- ① THERMOPLASTIC PAVEMENT MARKING 4" WHITE LANE LINE
- ② THERMOPLASTIC PAVEMENT MARKING 4" YELLOW LANE LINE
- ③ THERMOPLASTIC PAVEMENT MARKING 4" DOUBLE YELLOW LINE
- ④ THERMOPLASTIC PAVEMENT MARKING 6" WHITE LINE
- ⑤ THERMOPLASTIC PAVEMENT MARKING 12" DIAGONAL YELLOW LINE
- ⑥ THERMOPLASTIC PAVEMENT MARKING 24" WHITE STOP BAR
- ⑦ THERMOPLASTIC PAVEMENT MARKING LETTERS AND SYMBOLS (TYP)



NOTES:

1. REFER TO CITY OF CHICAGO TYPICAL PAVEMENT MARKINGS (TC-24) FOR ADDITIONAL INFORMATION.

FILE NAME = P:\2009\ME09006_Ver\Ver_Plan\ADD\W011\CottageGr\Shets\DI60J68-shr-pmk-02.dgn
 PLOT SCALE = 50.0000' / 1" IN.
 USER NAME = Millennium Professional Services



200 22ND Street, Suite 216, Lombard, IL 60148
 630.705.0110 voice, 630.839.1566 fax
 WWW.MPS-IL.COM
MILLENNIA PROFESSIONAL SERVICES

DESIGNED - CJD	REVISED -
DRAWN - CJD	REVISED -
CHECKED - RPD	REVISED -
DATE - 2/15/2010	REVISED -

STATE OF ILLINOIS
DEPARTMENT OF TRANSPORTATION

COTTAGE GROVE AVENUE
83RD STREET TO 92ND STREET

PAVEMENT MARKING PLAN

SCALE: 1"=50' SHEET NO. OF SHEETS STA. : 216+00 TO STA. 244+00

F.A.U. RTE. 2919	SECTION 2009-118 RS	COUNTY COOK	TOTAL SHEETS 29	SHEET NO. 10
FED. ROAD DIST. NO. 1 ILLINOIS FED. AID PROJECT			CONTRACT NO. 60J68	

PMK-02