

STATE OF ILLINOIS  
DEPARTMENT OF TRANSPORTATION

GENERAL NOTES

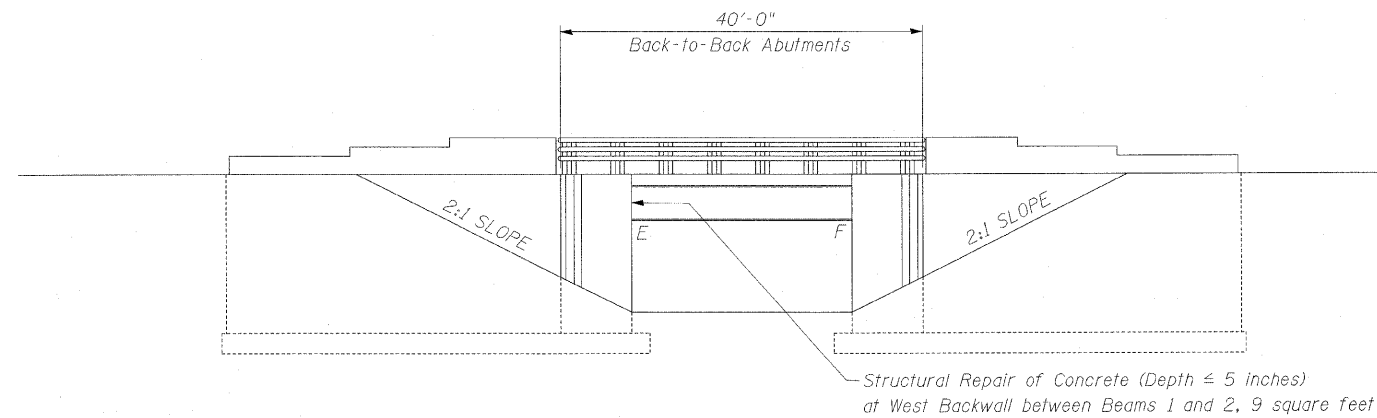
1. Plan dimensions and details relative to existing plans are subject to nominal construction variations. The Contractor shall field verify existing dimensions and details affecting new construction and make necessary approved adjustments prior to construction or ordering of materials. Such variations shall not be cause for additional compensation for a change in scope of the work, however, the Contractor will be paid for the quantity actually furnished at the unit price bid for the work.
2. Stage construction shall be utilized to maintain traffic during construction.
3. Protective Coat shall be applied only to the new Bridge Deck Latex Concrete Overlay and the concrete sidewalks located on the bridge.

INDEX OF SHEETS

- S1. General Plan and Elevation
- S2. General Notes, Bill of Materials and Index of Sheets
- S3. Stage Construction Details
- S4. Bridge Deck and Approach Slab Repairs I
- S5. Bridge Deck and Approach Slab Repairs II
- S6. Temporary Concrete Barrier

TOTAL BILL OF MATERIAL

ITEM	UNIT	SUPER	SUB	TOTAL
Structural repair of concrete (depth $\leq$ 5 inches)	Sq. Ft.		9	9
Deck Slab Repair (Full Depth - Type II)	Sq. Yd.	22		22
Approach Slab Repair (Partial Depth)	Sq. Yd.	46		46
Protective Coat	Sq. Yd.	287		287
Bridge Deck Grooving	Sq. Yd.	231		231
Hot-Mix Asphalt Surface Removal (Deck)	Sq. Yd.	240		240
Bridge Deck Latex Concrete Overlay 2 1/4"	Sq. Yd.	240		240
Bridge Deck Hydro-Scarification 1/2"	Sq. Yd.	240		240
Hot-Mix Asphalt Surface Course, Mix "D", N70	Ton	44		44
Hot-Mix Asphalt Surface Removal, 1 1/2"	Sq. Yd.	518		518
Polymer Concrete	Cu. Ft.	9.3		9.3
Clean and Reseal Relief Joint	Foot	198		198
Bituminous Materials (Prime Coat)	Gallon	53		53



ELEVATION

GENERAL NOTES, BILL OF MATERIALS  
AND INDEX OF SHEETS  
STRUCTURE NO. 016-0919

DESIGNED <i>JWK</i>	2010
CHECKED <i>JMH</i>	EXAMINED
DRAWN <i>TWR</i>	ENGINEER OF STRUCTURAL SERVICES
CHECKED <i>JWK</i>	PASSED
	ENGINEER OF BRIDGES AND STRUCTURES

SHEET NO. S2 OF S6 SHEETS	F.A.U. RTE.	SECTION	COUNTY	TOTAL SHEETS	SHEET NO.
	1631	2009-123I	COOK	12	6
			CONTRACT NO. 60J77		
ILLINOIS FED. AID PROJECT					