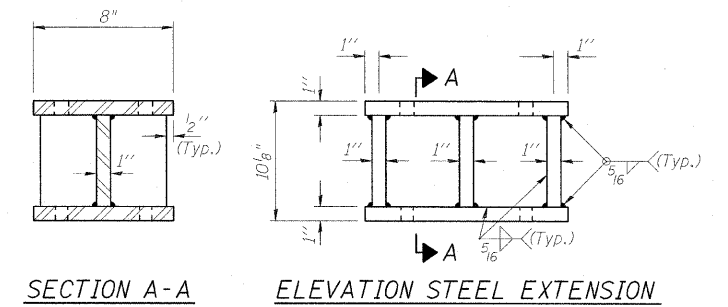
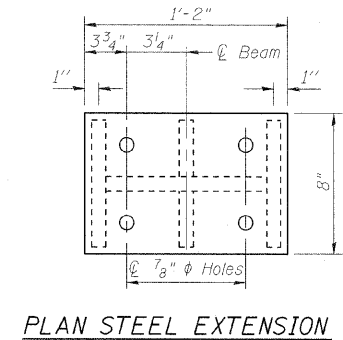
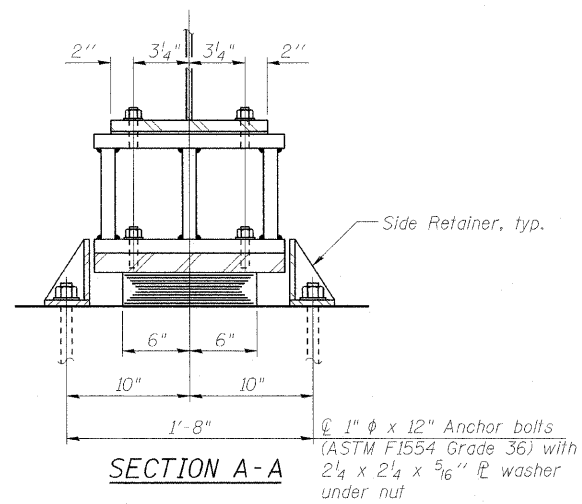
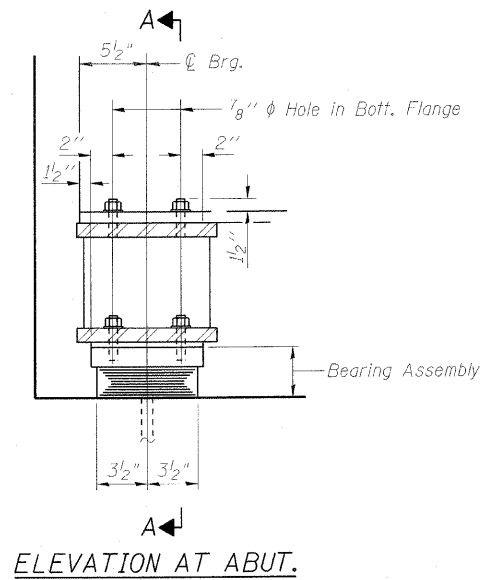
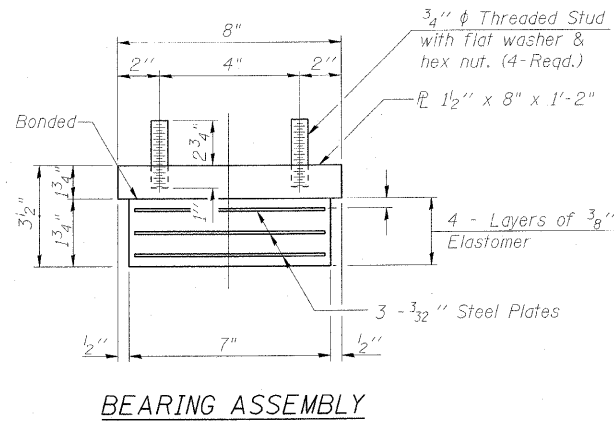


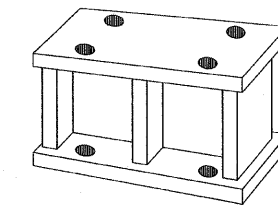
STATE OF ILLINOIS
DEPARTMENT OF TRANSPORTATION



TYPE I ELASTOMERIC EXP. BRG.



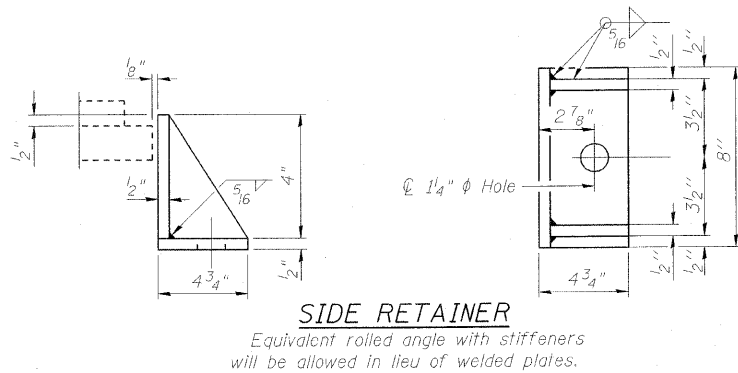
Notes:
Anchor bolts shall be ASTM F1554 all-thread (or an Engineer-approved alternate material) of the grade(s) and diameter(s) specified. ASTM A307 Grade C anchor bolts may be used in lieu of ASTM F1554 Grade 36 (Fy=36ksi). The corresponding specified grade of AASHTO M314 anchor bolts may be used in lieu of ASTM F1554.
Anchor bolts for side retainers may be cast in place or installed in holes drilled before or after members are in place.
Drilled and set anchor bolts shall be installed according to Article 521.06 of the Standard Specifications.
Side retainers and other steel members required for the bearing assembly shall be included in the cost of Elastomeric Bearing Assembly, Type I.



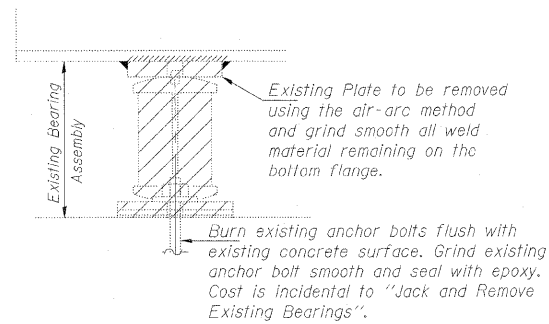
Note: Prior to ordering any material, the Contractor shall verify in the field all bearing height and shim thickness dimensions.

FABRICATED STEEL EXTENSION

Note:
Shim plates shall not be placed under Bearing Assembly.



Equivalent rolled angle with stiffeners will be allowed in lieu of welded plates.



BILL OF MATERIAL

Item	Unit	Total
Elastomeric Bearing Assembly Type I	Each	18
Jack and Remove Existing Bearings	Each	18
Anchor Bolts, 1"	Each	36
Furnishing and Erecting Structural Steel	Pound	2,620

INTERIOR GIRDER REACTION TABLE	
Abutment	
R _{DL} (k)	15.5
R _{SDL} (k)	8.5
R _{TL} (k)	35.1
R _{imp} (k)	9.9
R _{TOTAL} (k)	69

Minimum Jack Size = 29 TONS

BEARING DETAILS
STRUCTURE NO. 016-0573

DESIGNED JMH	2010
CHECKED LMS	EXAMINED
DRAWN VC	PASSED
CHECKED JMH	ENGINEER OF BRIDGES AND STRUCTURES

SHEET NO. S9 OF S10 SHEETS	F.A.U RTE.	SECTION	COUNTY	TOTAL SHEETS	SHEET NO.
	1620	43I-1	COOK	16	13
CONTRACT NO. 60J82					
ILLINOIS FED. AID PROJECT					