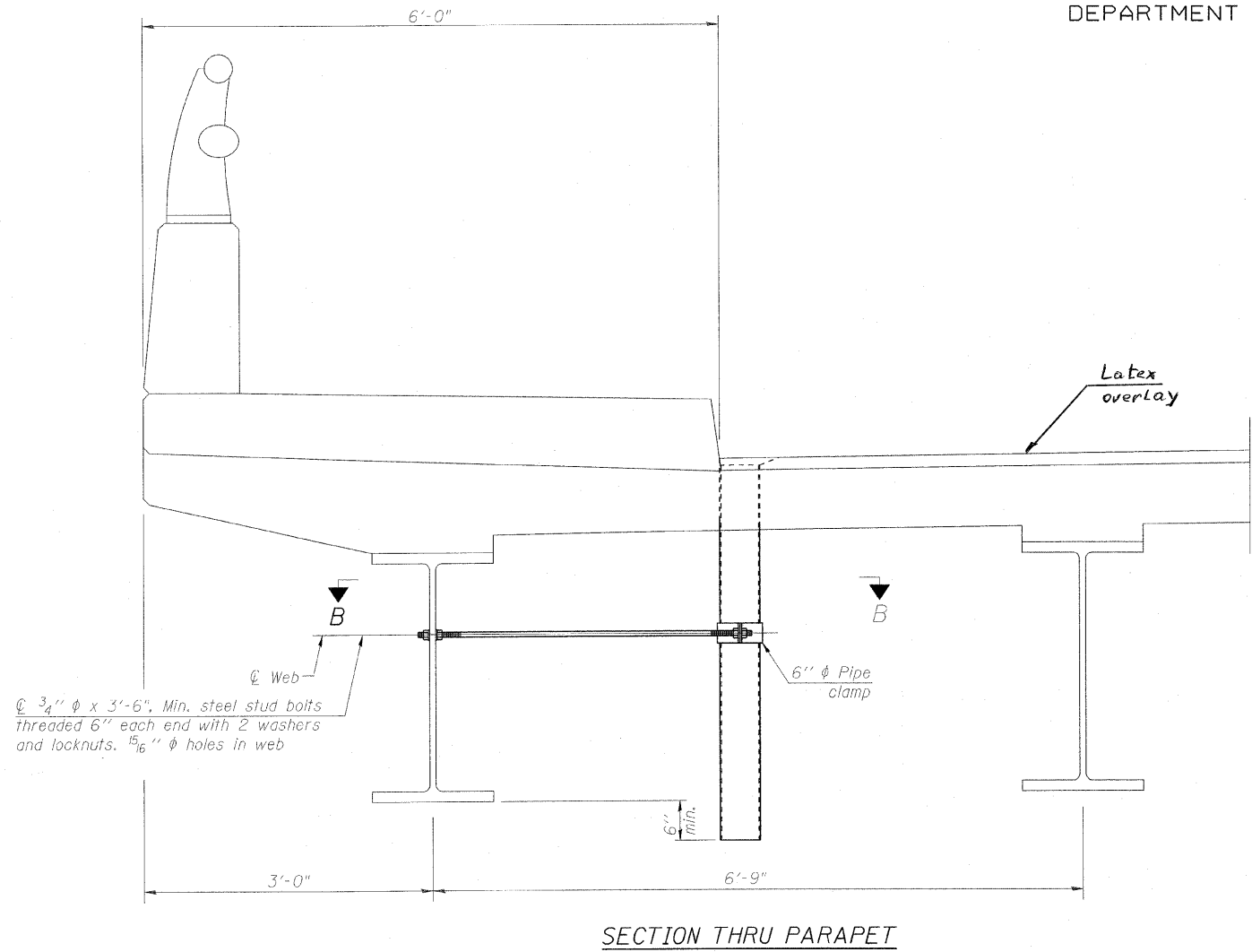
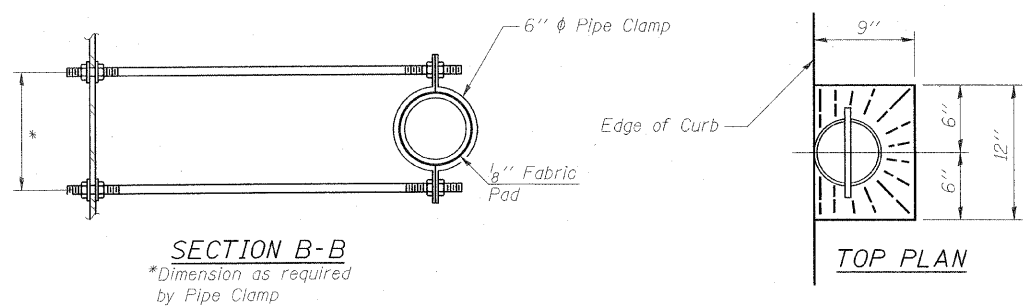


STATE OF ILLINOIS
DEPARTMENT OF TRANSPORTATION

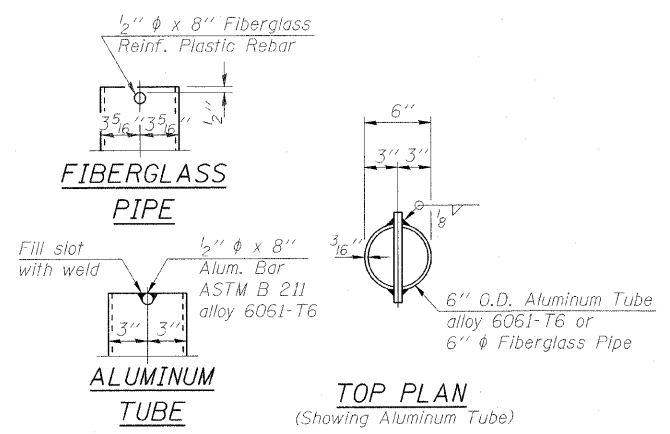


SECTION THRU PARAPET

Notes:
The exterior surfaces of the floor drains shall be painted with the finish coat as specified in the special provisions for Cleaning and Painting New Metal Structures. The exterior surfaces of the drains shall be cleaned according to Society of Protective Coatings Spec. SSPC-SP1 prior to painting.
Fiberglass pipe shall conform to ASTM D 2996, with short-time rupture strength hoop tensile stress of 30,000 p.s.i. minimum.
Galvanize clamping device according to AASHTO M232. Cost of clamping device and inserts is included with Floor Drains.



SECTION B-B
*Dimension as required by Pipe Clamp



DESIGNED JMH
CHECKED LMS
DRAWN VC
CHECKED JMH

2010
EXAMINED
PASSED

S-I-D 11-1-09

FLOOR DRAINS
STRUCTURE NO. 016-0573

SHEET NO. S10 OF S10 SHEETS	F.A.U RTE.	SECTION	COUNTY	TOTAL SHEETS	SHEET NO.
	1620	43I-1	COOK	16	14
CONTRACT NO. 60J82					
ILLINOIS FED. AID PROJECT					