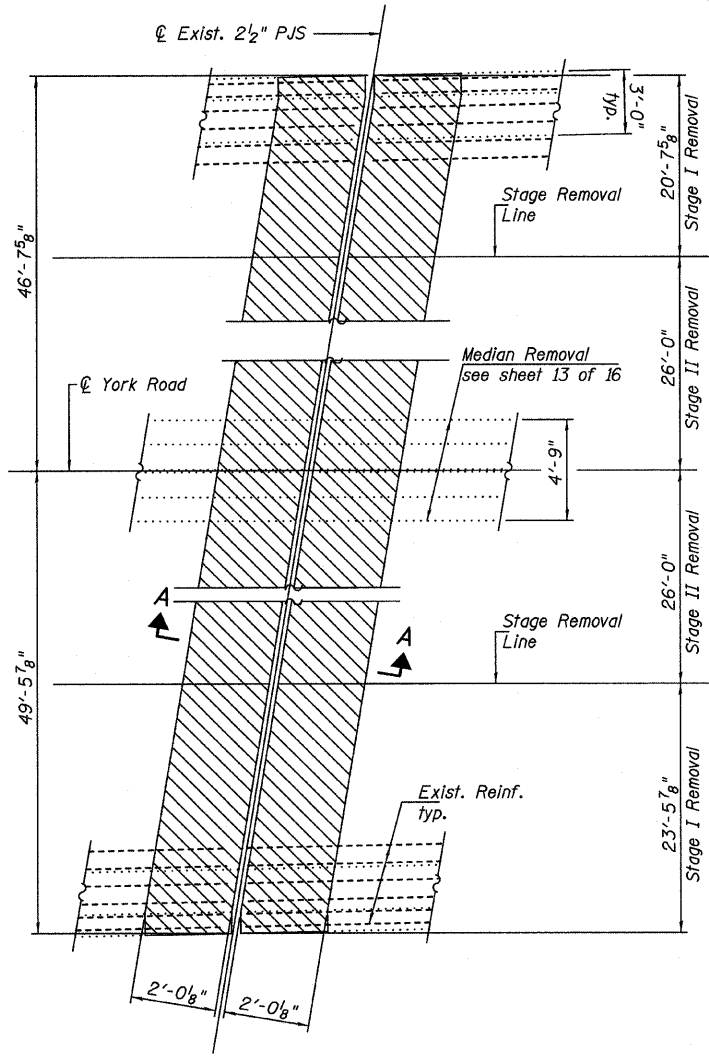
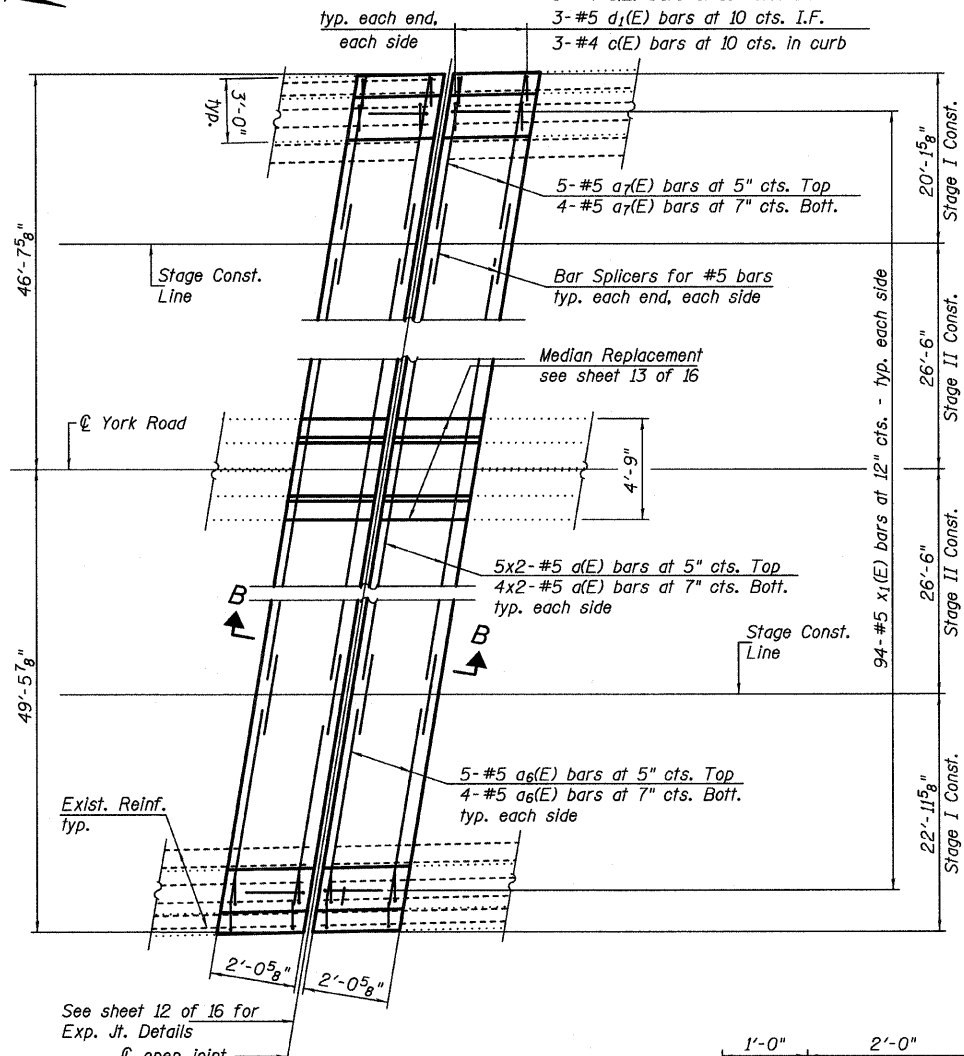


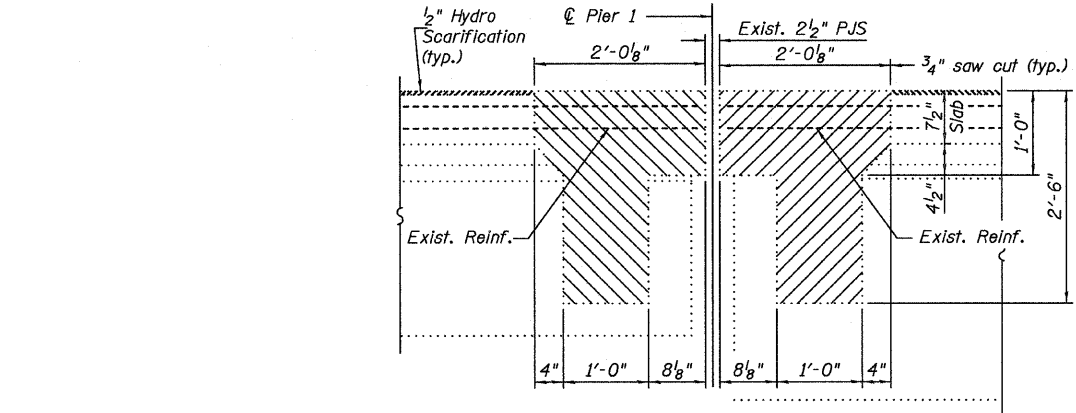
STATE OF ILLINOIS  
DEPARTMENT OF TRANSPORTATION



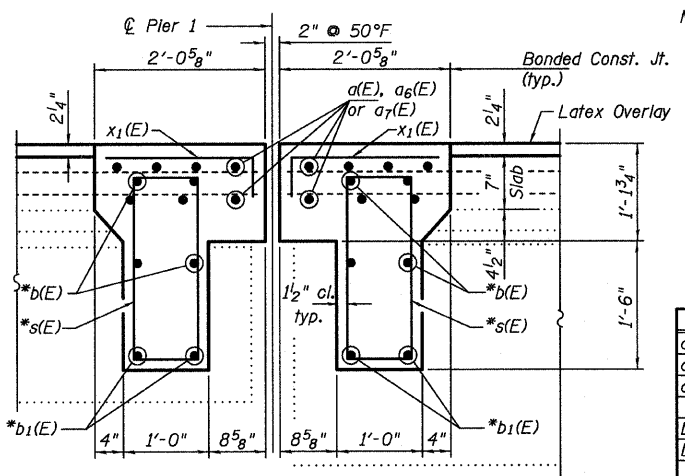
**PARTIAL PLAN SHOWING CONCRETE  
REMOVAL AT PIER 1**



**PARTIAL PLAN SHOWING CONCRETE  
REPLACEMENT AT PIER 1**



**SECTION A-A**



**SECTION B-B**

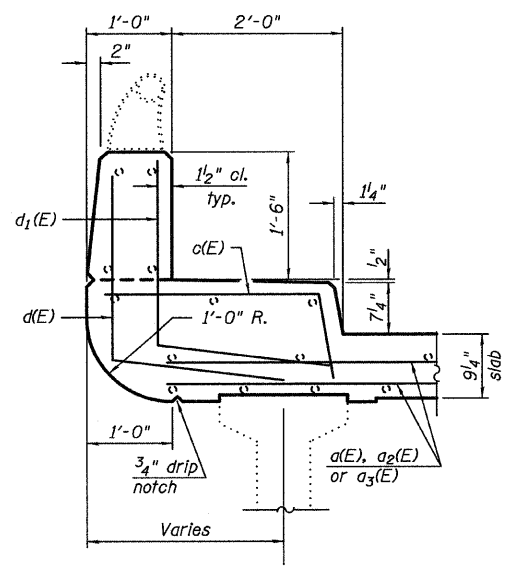
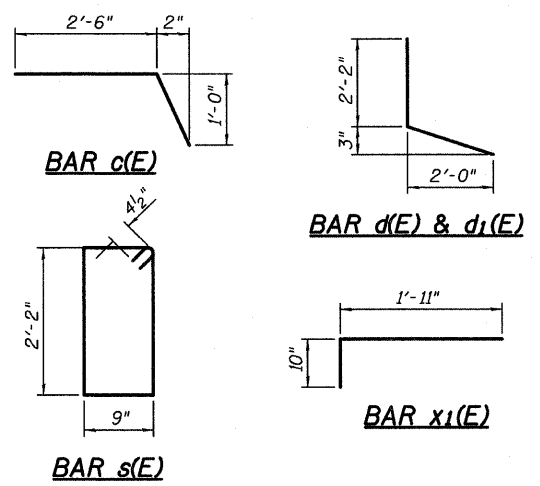
Note: Contractor must exercise extreme care while doing concrete removal in this area as to not damage the PPC I-Beams. Any damage is to be repaired at the Contractor's expense.

**BILL OF MATERIAL**

Bar	No.	Size	Length	Shape
a(E)	36	#5	29'-9"	—
a6(E)	18	#5	22'-0"	—
a7(E)	18	#5	19'-2"	—
b(E)	120	#4	4'-6"	—
b1(E)	60	#6	4'-6"	—
c(E)	12	#4	3'-6"	┘
d(E)	12	#4	4'-2"	┘
d1(E)	12	#5	4'-2"	┘
s(E)	150	#4	6'-7"	□
x1(E)	188	#5	2'-9"	┘
Concrete Removal		Cu. Yd.	26.1	
Concrete Superstructure		Cu. Yd.	28.3	
Bar Splicers		Each	36	
Reinforcement Bars, Epoxy Coated		Pound	3,970	

Bars labeled thus 4x2-#5 etc. indicate 4 lines of bars with 2 lengths per line.

Notes:  
Hatched areas indicate concrete sections to be removed and replaced. Perimeters at concrete removal areas shall be saw cut 3/4" prior to removal of the concrete.  
Existing reinforcement shall be cleaned, straightened (if required) and incorporated into the new construction. Cost included with Concrete Removal.  
Existing rail and rail posts to be removed and re-erected to reconstruct joints. 5/8" threaded inserts, 1 - alclad washer and 1 - 5/8" diameter by 2 1/2" stainless steel bolt (4 req'd. for each rail post) Cost to be included with Concrete Superstructure.



**PARAPET SECTION**

(Sheet 2 of 5)  
**PIER 1 JOINT REPLACEMENT**  
**F.A.U. RTE. 2678 (YORK ROAD) OVER**  
**F.A.P. RTE. 347 (IL RTE. 38 -ROOSEVELT ROAD)**  
**SECTION 163 HB-1-1**  
**DUPAGE COUNTY**  
**STATION 621+01.69**  
**STRUCTURE NO. 022-0067**

DESIGNED - CMV
CHECKED - SDS
DRAWN - DLH
CHECKED - CMV

**WHKS & CO.**  
ENGINEERING  
7018 KINGSMILL CT.,  
SPRINGFIELD, IL  
(217) 483-9457  
DESIGN FIRM #184001036

SHEET NO. 7 16 SHEETS	F.A.U. RTE. 2678	SECTION 163 HB-1-1	COUNTY DUPAGE	TOTAL SHEETS 31	SHEET NO. 17
	C-91-275-10		CONTRACT NO. 60J85		

ILLINOIS FED. AID PROJECT