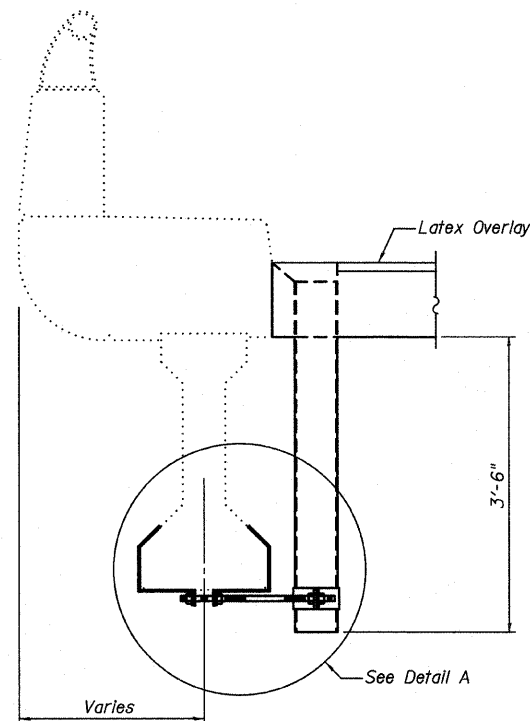
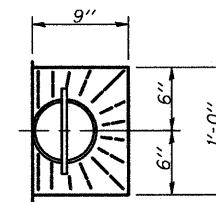


STATE OF ILLINOIS  
DEPARTMENT OF TRANSPORTATION

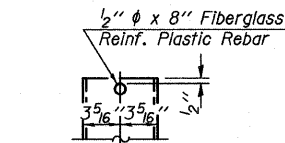


DECK DRAIN SECTION

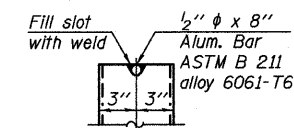


TOP PLAN

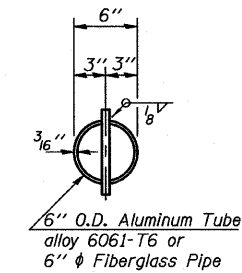
Notes:  
Fiberglass pipe shall conform to ASTM D2996, with short-time rupture strength hoop tensile stress of 30,000 p.s.i. minimum.  
The exterior surfaces of the floor drains shall be coated or pigmented by the manufacturer with a color that matches the concrete.  
The clamping device shall be galvanized according to AASHTO M 232. Cost of clamping device and galvanizing included with Floor Drains.



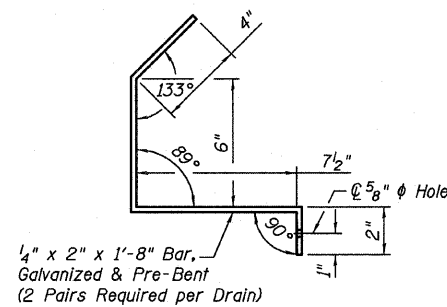
FIBERGLASS PIPE



ALUMINUM TUBE

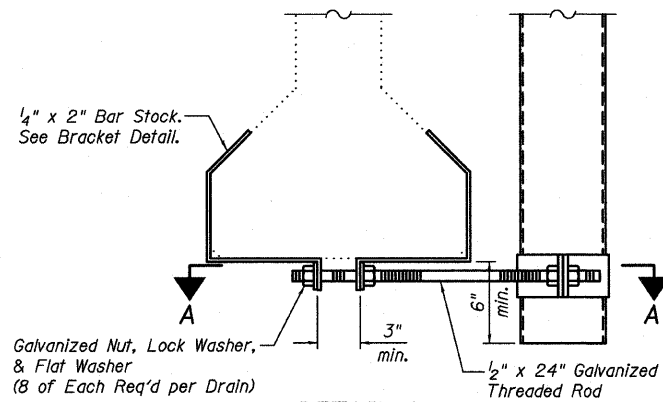


TOP PLAN  
(Showing Aluminum Tube)

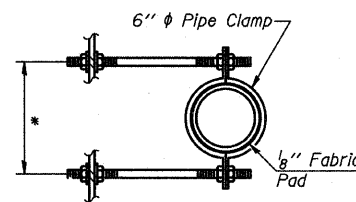


1/4" x 2" x 1'-8" Bar,  
Galvanized & Pre-Bent  
(2 Pairs Required per Drain)

BRACKET DETAIL



DETAIL A



SECTION A-A

\*Dimension as required by Pipe Clamp

FLOOR DRAIN DETAILS  
F.A.U. RTE. 2678 (YORK ROAD) OVER  
F.A.P. RTE. 347 (IL RTE. 38 - ROOSEVELT ROAD)  
SECTION 163 HB-I-1  
DUPAGE COUNTY  
STATION 621+01.69  
STRUCTURE NO. 022-0067

DESIGNED - CMV
CHECKED - SDS
DRAWN - DLH
CHECKED - CMV

**WHKS & CO.**  
ENGINEERING  
7018 KINGSMILL CT.,  
SPRINGFIELD, IL  
(217) 483-9457  
DESIGN FIRM #184001036

SHEET NO.	F.A.U. RTE.	SECTION	COUNTY	TOTAL SHEETS	SHEET NO.
16 SHEETS	2678	163 HB-I-1	DUPAGE	31	25
C-91-275-10			CONTRACT NO. 60J85		
ILLINOIS FED. AID PROJECT					