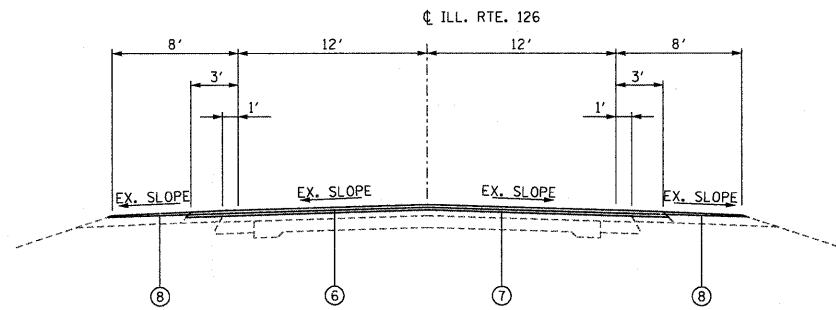
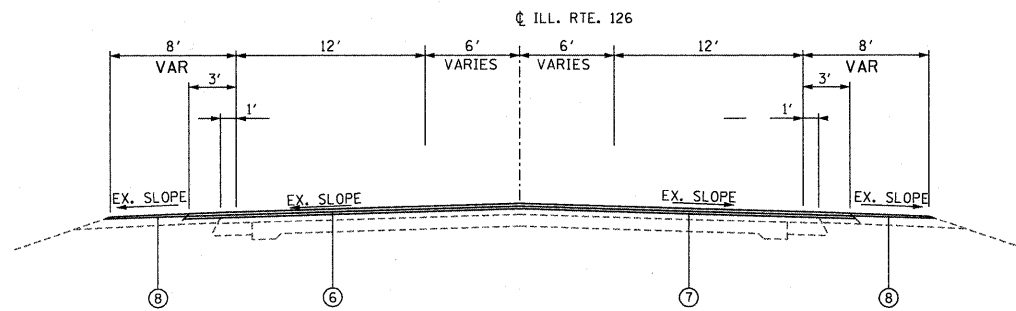


EXISTING TYPICAL CROSS SECTION
ILLINOIS ROUTE 126
STA. 558+64.41 TO STA. 661+87.37



PROPOSED TYPICAL CROSS SECTION
ILLINOIS ROUTE 126
STA. 558+64 TO STA. 596+51
STA. 616+52 TO STA. 625+76
STA. 641+58 TO STA. 651+50



PROPOSED TYPICAL CROSS SECTION
ILLINOIS ROUTE 126
STA. 596+51 TO STA. 616+52
STA. 625+76 TO STA. 641+58
STA. 651+50 TO STA. 661+87

LEGEND

- ① EXISTING P.C.C. PAVEMENT 9" (6 1/2"-9")
- ② EXISTING BITUMINOUS SURFACE +/-6"
- ③ EXISTING BITUMINOUS SHOULDER +/-8"
- ④ EXISTING +/- 8" AGGREGATE SHOULDER, TYPE B
- ⑤ HMA SURFACE REMOVAL - 2 1/2" (SEE NOTE 1)
- ⑥ HOT-MIX ASPHALT SURFACE COURSE, MIX "D", N70 (IL-9.5 MM)-1 3/4"
- ⑦ POLYMERIZED LEVELING BINDER (MACHINE METHOD), IL-4.75, N50-3/4"
- ⑧ GRADING AND SHAPING SHOULDERS & AGGREGATE WEDGE SHOULDER, TYPE B

NOTES

1. THE CONTRACTOR SHALL PERFORM THE PAVEMENT PATCHING OPERATIONS PRIOR TO THE HMA SURFACE REMOVAL OPERATION. SEE IDOT DISTRICT 1 DETAIL PAVEMENT PATCHING FOR HMA SURFACED PAVEMENT BD-400-04 (BD-22) FOR ADDITIONAL INFORMATION.

HOT-MIX ASPHALT MIXTURE REQUIREMENTS	
MIXTURE TYPE	AIR VOIDS @ Ndes
HOT-MIX ASPHALT SURFACE COURSE, MIX "D", N70 (IL-9.5mm)	4% @ 70 GYR.
POLYMERIZED LEVELING BINDER (MACHINE METHOD), IL-4.75, N50	4% @ 50 GYR.
CLASS D PATCHES (HMA BINDER IL-19 MM)	4% @ 70 GYR.
HMA REPLACEMENT OVER PATCHES (HMA BINDER IL-19MM)	4% @ 70 GYR.

MIXTURE NOTES:

1. THE UNIT WEIGHT USED TO CALCULATE ALL HOT-MIX ASPHALT SURFACE MIXTURE QUANTITIES IS 112 LBS/SQ YD/IN.
2. THE "AC TYPE" FOR POLYMERIZED HMA MIXES SHALL BE "SBS/SBR PG 70-22" AND FOR NON-POLYMERIZED HMA THE "AC TYPE" SHALL BE "PG 64-22" UNLESS MODIFIED BY DISTRICT ONE SPECIAL PROVISIONS. FOR "PERCENT OF RAP" SEE DISTRICT ONE SPECIAL PROVISIONS.

FILE NAME = P:\2009\ME09006.Ver-Ver-Ph1\CADD\W09.IL126\Shets\04-D160J95-shet-IL126-TYP.dgn
 PLOT SCALE = 6.0000' / IN.
 USER NAME = Millennium Professional Services



200 22ND Street, Suite 216, Lombard, IL 60148
630.785.8110 voice, 630.839.3566 fax
www.mps-ill.com

MILLENNIA PROFESSIONAL SERVICES

DESIGNED - CJD	REVISED -
DRAWN - CJD	REVISED -
CHECKED - RPD	REVISED -
DATE - 2/15/2010	REVISED -

**STATE OF ILLINOIS
DEPARTMENT OF TRANSPORTATION**

**ILLINOIS ROUTE 126
COUNTY LINE ROAD TO WALLIN DRIVE**

MAINLINE TYPICAL SECTIONS

SCALE: SHEET NO. OF SHEETS STA. TO STA.

F.A.I. RTE.	SECTION	COUNTY	TOTAL SHEETS	SHEET NO.
0379	119 RS-14	WILL	20	4
CONTRACT NO. 60J95				

FED. ROAD DIST. NO. 1 ILLINOIS FED. AID PROJECT

TYP-01

P:\2009\ME09006.Ver-Ver-Ph1\CADD\W09.IL126\Shets\04-D160J95-shet-IL126-TYP.dgn