

NOTES:

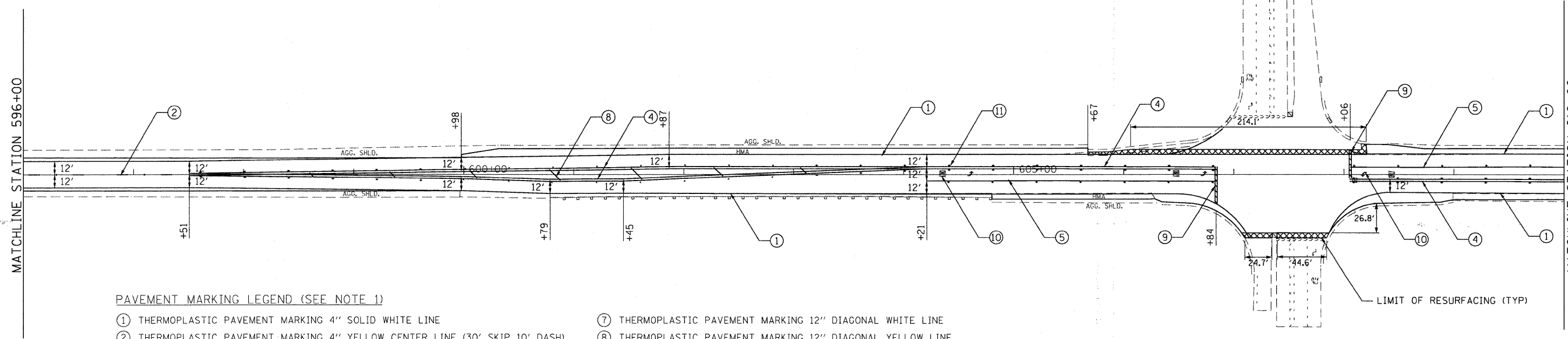
1. REFER TO DISTRICT 1 TYPICAL PAVEMENT MARKINGS (TC-13) FOR ADDITIONAL INFORMATION.
2. REFER TO DISTRICT 1 RAISED REFLECTIVE PAVEMENT MARKERS (TC-11) FOR ADDITIONAL INFORMATION.

DRAINAGE LEGEND

- [A] FRAMES AND GRATES TO BE ADJUSTED
- [C] STRUCTURE TO BE CLEANED
- [A] FRAMES AND LIDS TO BE ADJUSTED
- [SP] FRAMES AND LIDS TO BE ADJUSTED SPECIAL
- [REC] STRUCTURE TO BE RECONSTRUCTED
- [T] TELEPHONE-TO BE ADJUSTED BY OTHERS
- [CE] COM ED-TO BE ADJUSTED BY OTHERS

ROADWAY LEGEND

- [Cross-hatched box] PROPOSED HMA SURFACE REMOVAL BUTT JOINT
SEE BUTT JOINTS AND HMA TAPER DETAILS (BD32)



PAVEMENT MARKING LEGEND (SEE NOTE 1)

- ① THERMOPLASTIC PAVEMENT MARKING 4" SOLID WHITE LINE
- ② THERMOPLASTIC PAVEMENT MARKING 4" YELLOW CENTER LINE (30' SKIP 10' DASH)
- ③ THERMOPLASTIC PAVEMENT MARKING 4" SOLID YELLOW LINE
- ④ THERMOPLASTIC PAVEMENT MARKING 4" DOUBLE YELLOW LINE 11" C-C
- ⑤ THERMOPLASTIC PAVEMENT MARKING 6" WHITE LINE
- ⑥ THERMOPLASTIC PAVEMENT MARKING 12" WHITE LINE
- ⑦ THERMOPLASTIC PAVEMENT MARKING 12" DIAGONAL WHITE LINE
- ⑧ THERMOPLASTIC PAVEMENT MARKING 12" DIAGONAL YELLOW LINE
- ⑨ THERMOPLASTIC PAVEMENT MARKING 24" WHITE STOP BAR
- ⑩ THERMOPLASTIC PAVEMENT MARKING LETTERS AND SYMBOLS (TYP)
- ⑪ RAISED REFLECTIVE PAVEMENT MARKER (SEE NOTE 2)

FILE NAME = P:\2009\ME09006_Ver-Vor-Phil\CADD\W09_IL126\Shets\0160195-sh1-plan-02.dgn
 PLOT SCALE = 50.0000 / 1 IN.
 USER NAME = Millennia Professional Services

200 22ND Street, Suite 216, Lombard, IL 60148
 630.785.0110 voice, 630.839.2566 fax
 www.mps-il.com
MILLENNIA PROFESSIONAL SERVICES

DESIGNED - CJD	REVISED -
DRAWN - CJD	REVISED -
CHECKED - RPD	REVISED -
DATE - 2/15/2010	REVISED -

STATE OF ILLINOIS
DEPARTMENT OF TRANSPORTATION

ILLINOIS ROUTE 126
COUNTY LINE ROAD TO WALLIN DRIVE
ROADWAY PLAN

SCALE: 1"=50' SHEET NO. OF SHEETS STA. 582+00 TO STA. 610+00

F.A.U. RTE. 0379	SECTION 119 RS-14	COUNTY WILL	TOTAL SHEETS 20	SHEET NO. 6
CONTRACT NO. 60J95				

PLN-02

P:\2009\ME09006_Ver-Vor-Phil\CADD\W09_IL126\Shets\0160195-sh1-plan-02.dgn