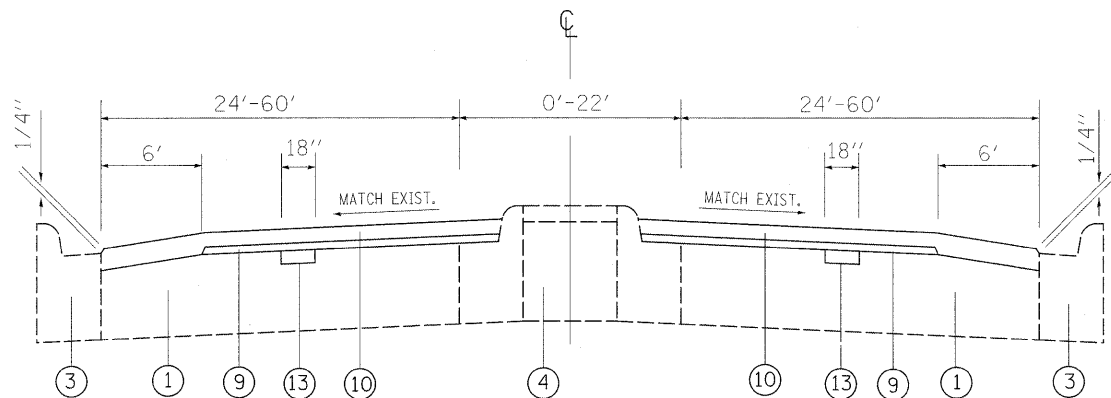


EXISTING TYPICAL SECTION

BARRINGTON ROAD
STA. 20+66 TO STA. 68+69



PROPOSED TYPICAL SECTION

BARRINGTON ROAD
STA. 20+66 TO STA. 68+69

LEGEND

- ① EXISTING P.C.C. PAVEMENT, 9" (+/-)
- ② EXISTING HMA SURFACE COURSE, 4" (+/-)
- ③ EXISTING CONCRETE CURB & GUTTER
- ④ EXISTING MEDIAN
- ⑤ EXISTING HMA SHOULDER
- ⑥ EXISTING AGGREGATE SHOULDER
- ⑦ PROPOSED HMA SURFACE REMOVAL, 2 1/2"
- ⑧ PROPOSED PCC SURFACE REMOVAL (VARIABLE DEPTH), 6' WIDE
- ⑨ PROPOSED POLYMERIZED LEVELING BINDER (MACHINE METHOD), IL-4.75, N50, 3/4 "
- ⑩ PROPOSED POLYMERIZED HMA SURFACE COURSE, MIX "F", N90, 1 3/4 "
- ⑪ PROPOSED AGGREGATE WEDGE SHOULDER, TYPE B AND GRADING AND SHAPING SHOULDERS
- ⑫ PROPOSED PARTIAL DEPTH REMOVAL, 3"
- ⑬ PROPOSED PARTIAL DEPTH PATCHING, 3"
- ⑭ PROPOSED SHOULDER RUMBLE STRIP

NOTE: CONTRACTOR SHALL PATCH FIRST BEFORE MILLING.

NOTE: SEE HMA TAPER AT EDGE OF PCC PAVEMENT DETAIL BD-33

HOT-MIX ASPHALT MIXTURE REQUIREMENTS

MIXTURE USES	DESIGN AIR VOIDS
POLYMERIZED HMA SURFACE COURSE, MIX "F", N90 (IL-9.5 mm)	4% AT 90 GYR.
POLYMERIZED LEVELING BINDER (MM), IL-4.75, N50	4% AT 50 GYR.
CLASS D PATCHES, (HMA BINDER IL-19.0 mm)	4% AT 70 GYR.
PARTIAL DEPTH PATCHING (HMA BINDER IL-19.0, N70), 3"	4% AT 70 GYR.
HMA REPLACEMENT OVER PATCHES (HMA BINDER, IL-19.0 mm)	4% AT 70 GYR.

NOTES:

THE UNIT WEIGHT USED TO CALCULATE ALL HMA SURFACE MIXTURES QUANTITIES IS 112 LBS/SQ YD/IN.

THE "AC TYPE FOR POLYMERIZED HMA MIXES SHALL BE "SBS/SBR PG 70-22" AND FOR NON-POLYMERIZED HMA THE "AC TYPE" SHALL BE "PG 64-22" UNLESS MODIFIED BY DISTRICT ONE SPECIAL PROVISIONS. FOR "PERCENT OF RAP" SEE DISTRICT ONE SPECIAL PROVISIONS.

FILE NAME =	USER NAME = shronsb	DESIGNED -	REVISED -	STATE OF ILLINOIS DEPARTMENT OF TRANSPORTATION	EXISTING AND PROPOSED TYPICAL SECTIONS BARRINGTON ROAD, SO IL 62 TO I-90	F.A.P. RTE.	SECTION	COUNTY	TOTAL SHEETS	SHEET NO.	
es:\pw_work\pwork\shronsb\d0182833\0132010-shr-plan.dgn	PILOT SCALE = 50,000 ' / IN.	DRAWN -	REVISED -			362	0608 RS-5	COOK	25	4	
	PLOT DATE = 2/4/2010	CHECKED -	REVISED -			SCALE: SHEET NO. OF SHEETS STA. TO STA.		CONTRACT NO. 60J98			
		DATE -	REVISED -			FED. ROAD DIST. NO. ILLINOIS FED. AID PROJECT					