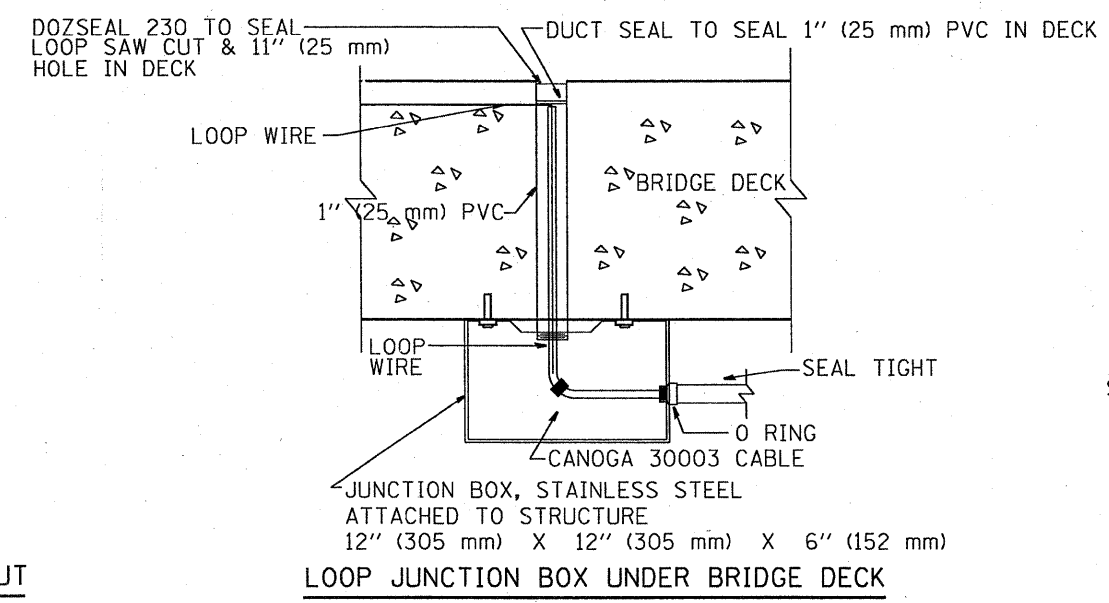
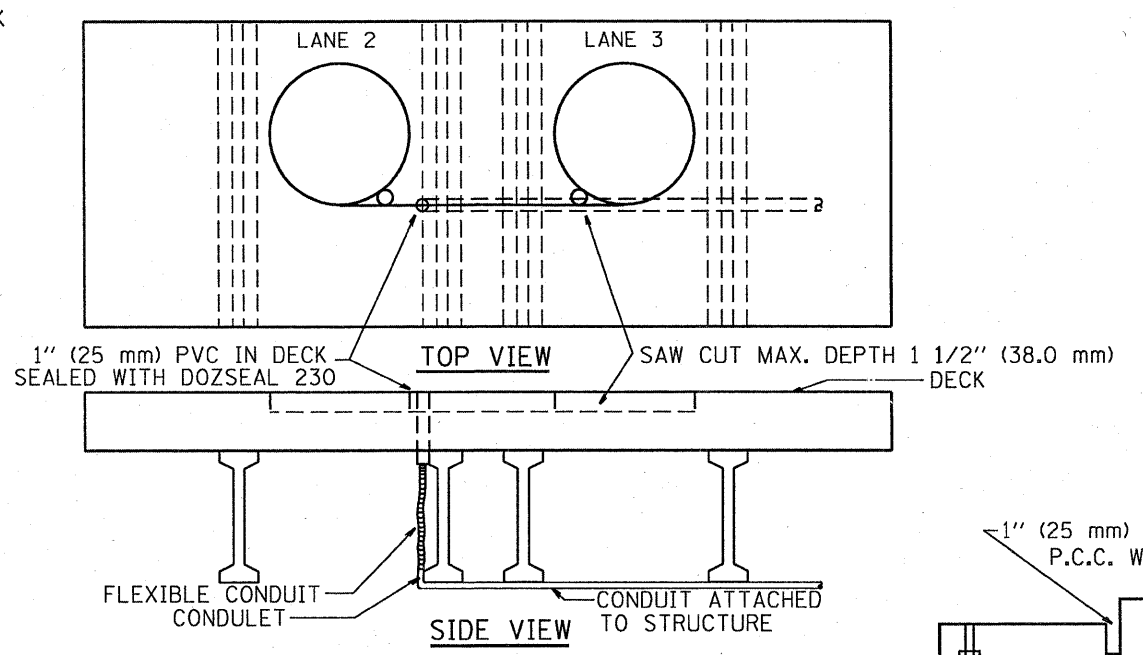


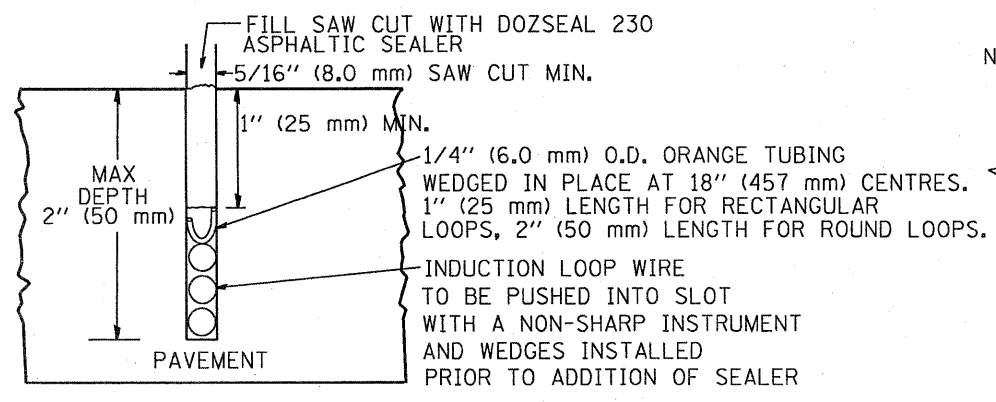
TYPICAL LOOP SAWCUT LAYOUT



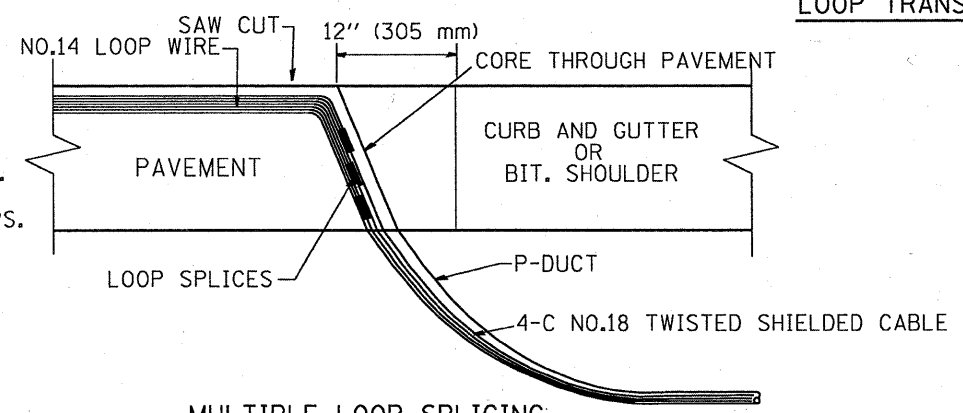
LOOP JUNCTION BOX UNDER BRIDGE DECK



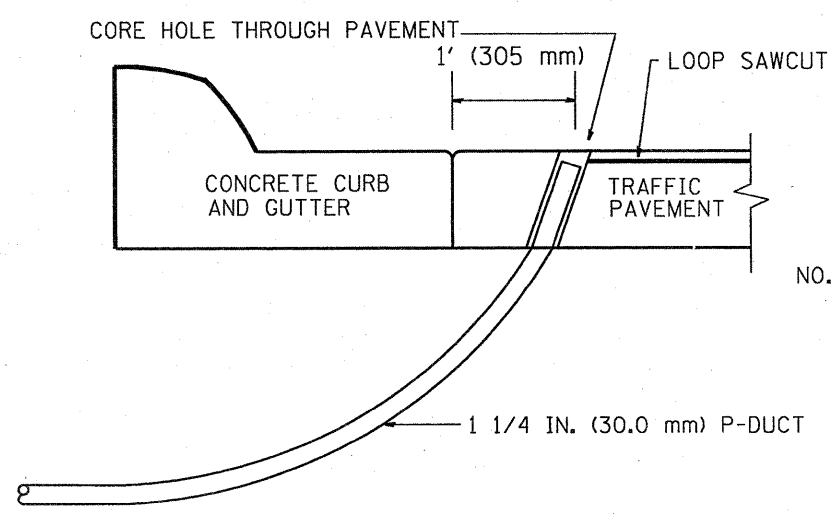
LOOP TRANSITION IN BRIDGE DECK



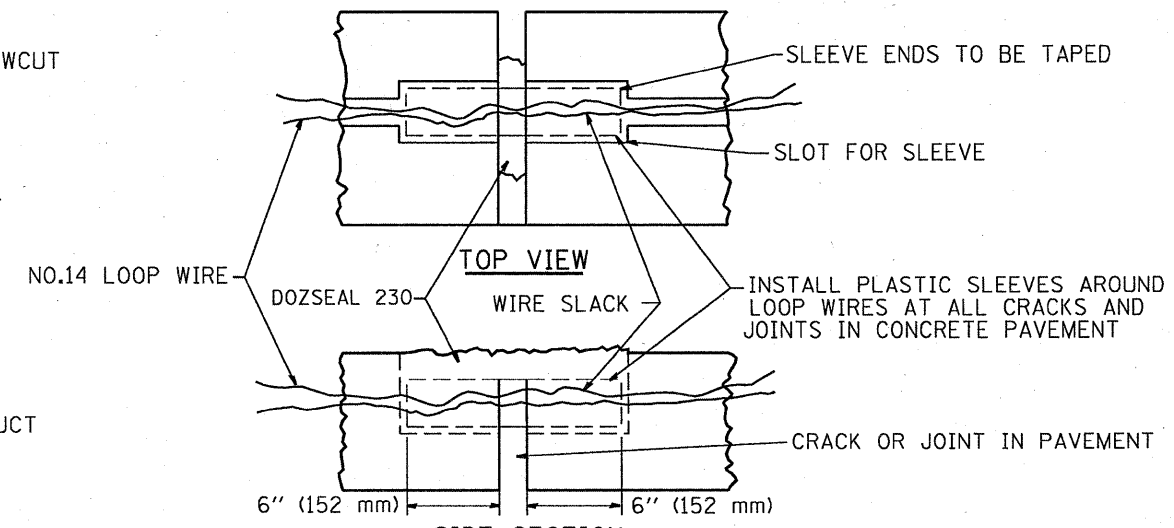
LOOP CROSS SECTION IN PAVEMENT



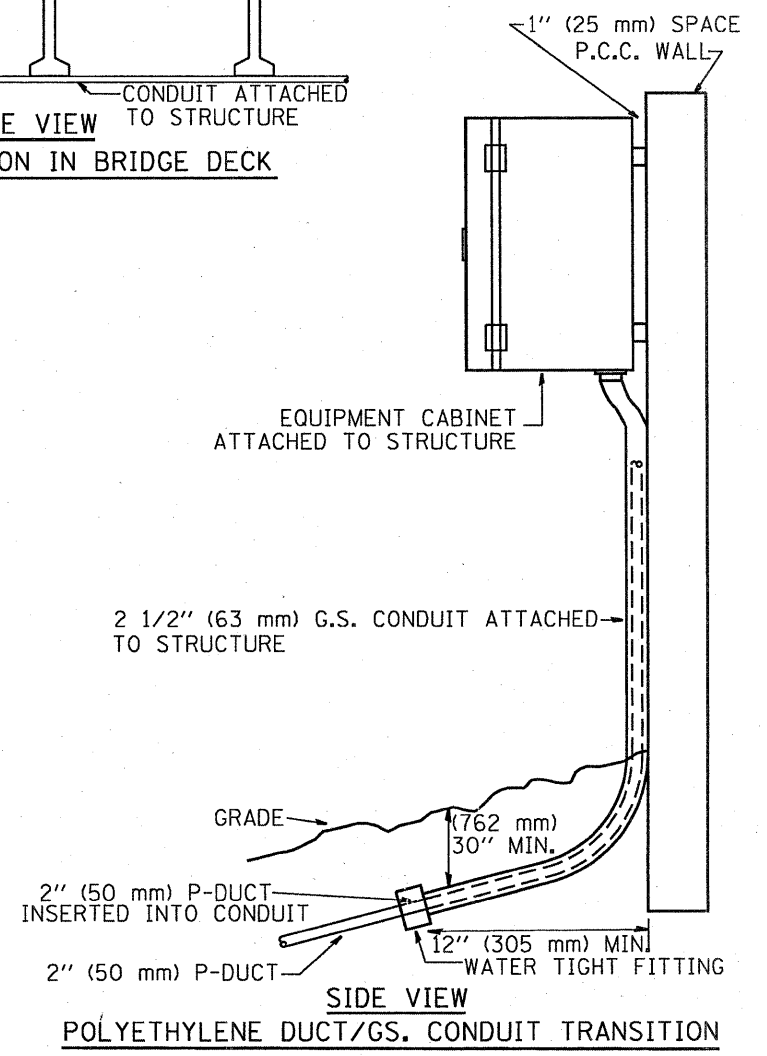
MULTIPLE LOOP SPLICING



SIDE SECTION LOOP LEAD-IN TRANSITION DETAIL



PAVEMENT CRACK TRANSVERSE SLEEVE



POLYETHYLENE DUCT/GS. CONDUIT TRANSITION

FILE NAME = C:\d106010\165TCTYP.dgn	USER NAME = mezag	DESIGNED - R.L.	REVISED - 06/94	STATE OF ILLINOIS DEPARTMENT OF TRANSPORTATION TRAFFIC SYSTEMS CENTER	LOOP, CONDUIT & DUCT INSTALLATION DETAILS			F.A.1 RTE.	SECTION	COUNTY	TOTAL SHEETS	SHEET NO.				
	PLOT SCALE = 100.0000' / IN.	DRAWN - G.M.	REVISED - 03/95		SCALE: NONE	SHEET NO.	OF	SHEETS	STA.	TO STA.	55	99 (1+2)	RS-12	Will	110	59
	PLOT DATE = 2/8/2010	CHECKED - R.L.	REVISED - 11/95													
		DATE - 06/22/94	REVISED - 10/96													