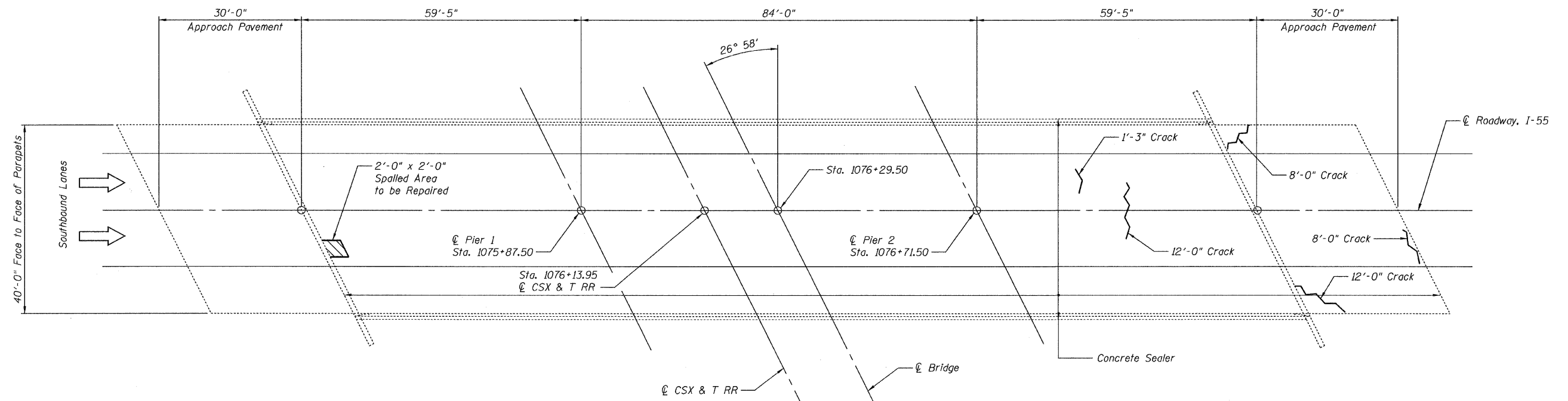
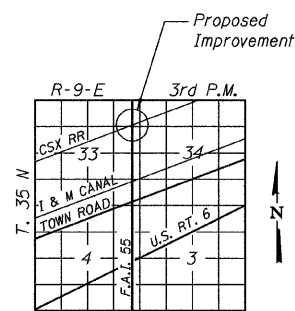


STATE OF ILLINOIS
DEPARTMENT OF TRANSPORTATION



DECK PLAN



LOCATION SKETCH

GENERAL NOTES

Plan dimensions and details relative to existing plans are subject to nominal construction variations. The Contractor shall field verify existing dimensions and details affecting new construction and make necessary approved adjustments prior to construction or ordering of materials. Such variations shall not be cause for additional compensation for a change in scope of the work, however, the Contractor will be paid for the quantity actually furnished at the unit price bid for the work.

NOTES

1. The limits and locations of repairs shown on the deck plan are taken from the most recent survey performed by the District on October 27, 2009

LEGEND



TOTAL BILL OF MATERIAL

Item	Unit	Total
* Concrete Sealer	Sq. Ft.	107.34
Epoxy Crack Injection	Foot	42
Deck Slab Repair (Partial)	Sq. Yd.	0.5

* To be applied to Deck Surface, Parapet Face and Parapet Top

INDEX OF SHEETS

- General Plan
- Construction Staging

**GENERAL PLAN
I-55 SOUTHBOUND OVER
C.S.X. & T. RR
SEC. 86(VB-I-R, B-R-I, B-I-BR)
WILL COUNTY
STATION 1076+29.50
STRUCTURE NO. 099-0312**

DESIGNED	TPP
CHECKED	RJL
DRAWN	JS/SCS
CHECKED	TPP



2/8/2010



ABNA

9901 S. Western Ave.
Chicago, IL 60643
Ph. 773-881-4788
F: 773-239-3728
DESIGN FIRM REG. 184.002117

SHEET NO. 1 2 SHEETS	F.A.I. RTE.	SECTION	COUNTY	TOTAL SHEETS	SHEET NO.
	55	99 (1+2) RS-12	WILL	110	64
CONTRACT NO. 60K04					
FED. ROAD DIST. NO. ILLINOIS FED. AID PROJECT					