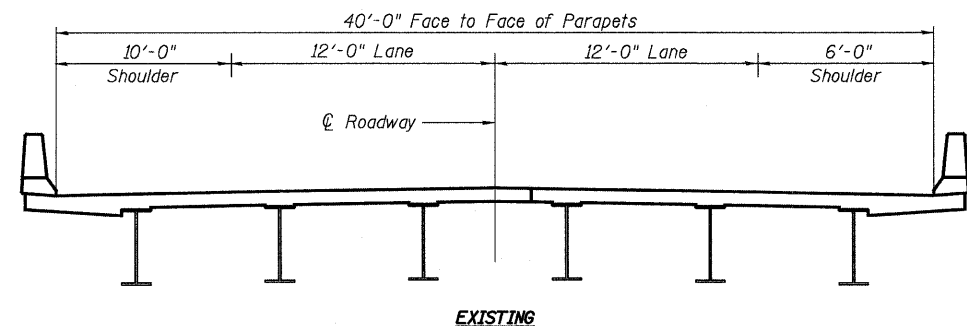
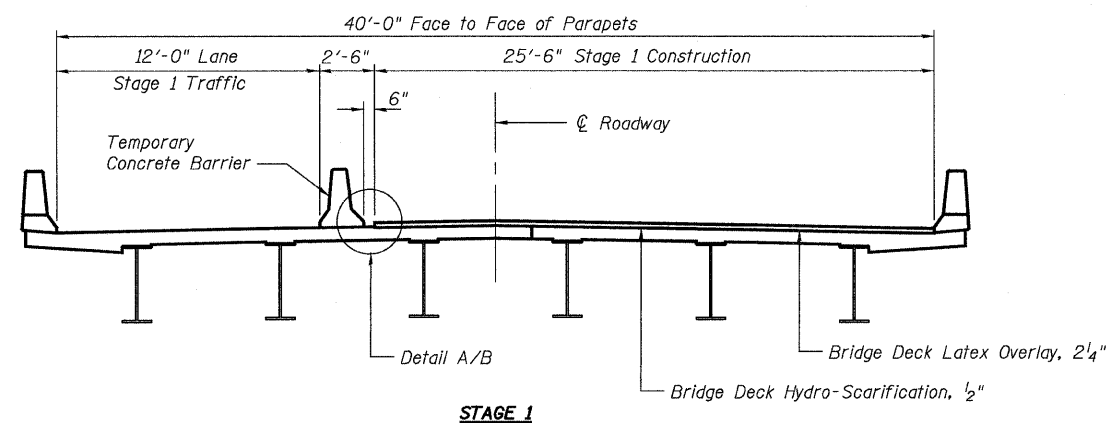


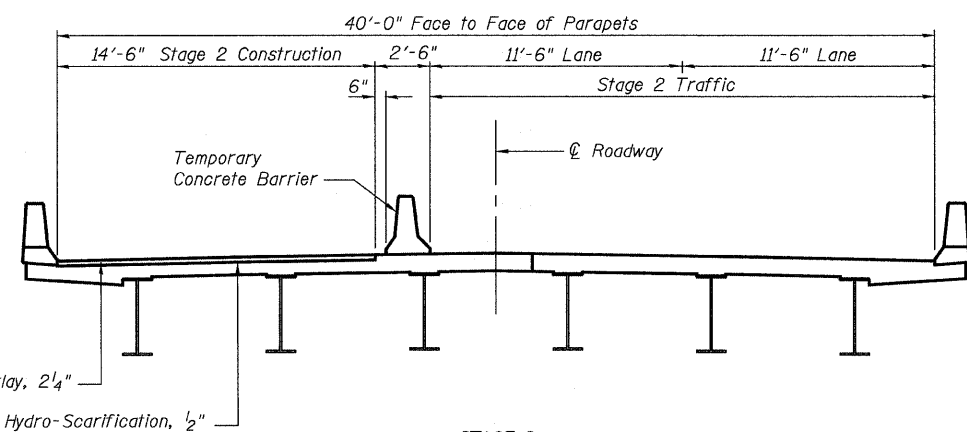
STATE OF ILLINOIS
DEPARTMENT OF TRANSPORTATION



EXISTING

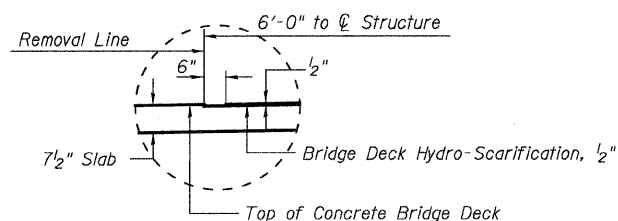


STAGE 1

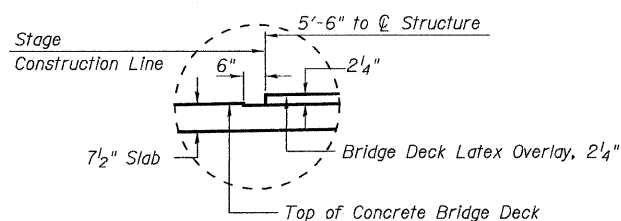


STAGE 2

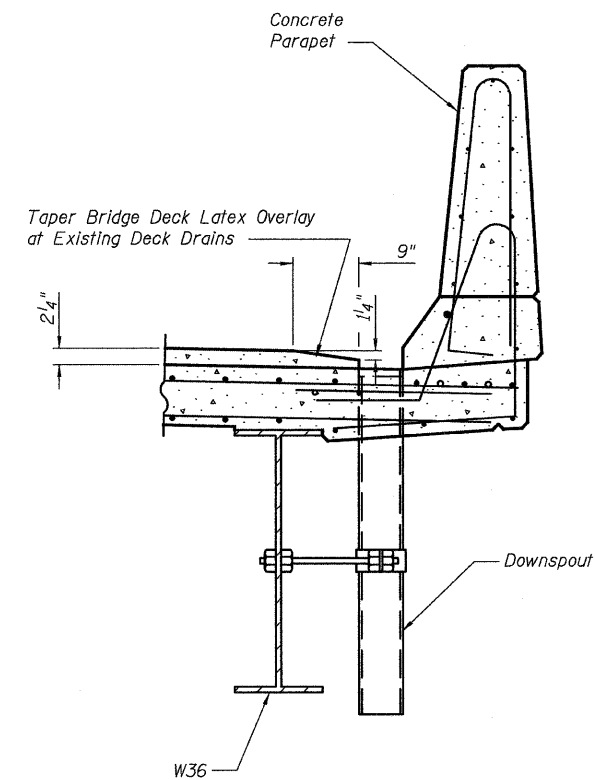
PROPOSED CONSTRUCTION STAGING
(Looking South at Oncoming Traffic)



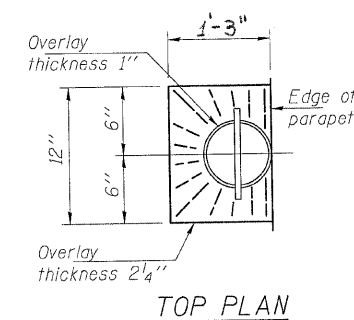
DETAIL A (Showing Removal)



DETAIL B (Showing Proposed)



TYPICAL SECTION AT DECK DRAIN



TOP PLAN

CONSTRUCTION STAGING
I-55 NORTHBOUND OVER
C.S.X. & T. RR
SEC. 86(VB-I-R, B-R-I, B-I-BR)
WILL COUNTY
STATION 3186+90.27
STRUCTURE NO. 099-0313

DESIGNED	TPP
CHECKED	RJL
DRAWN	JS/SCS
CHECKED	TPP

ABNA
9901 S. Western Ave.
Chicago, IL 60643
Ph. 773-881-4788
F: 773.239.3728
DESIGN FIRM REG. 184.002117

SHEET NO. 2 3 SHEETS	E.A.I. RTE.	SECTION	COUNTY	TOTAL SHEETS	SHEET NO.
	55	99 (1 of 2) RS-12	WILL	110	67
FED. ROAD DIST. NO. _			ILLINOIS FED. AID PROJECT		
CONTRACT NO. 60K04					