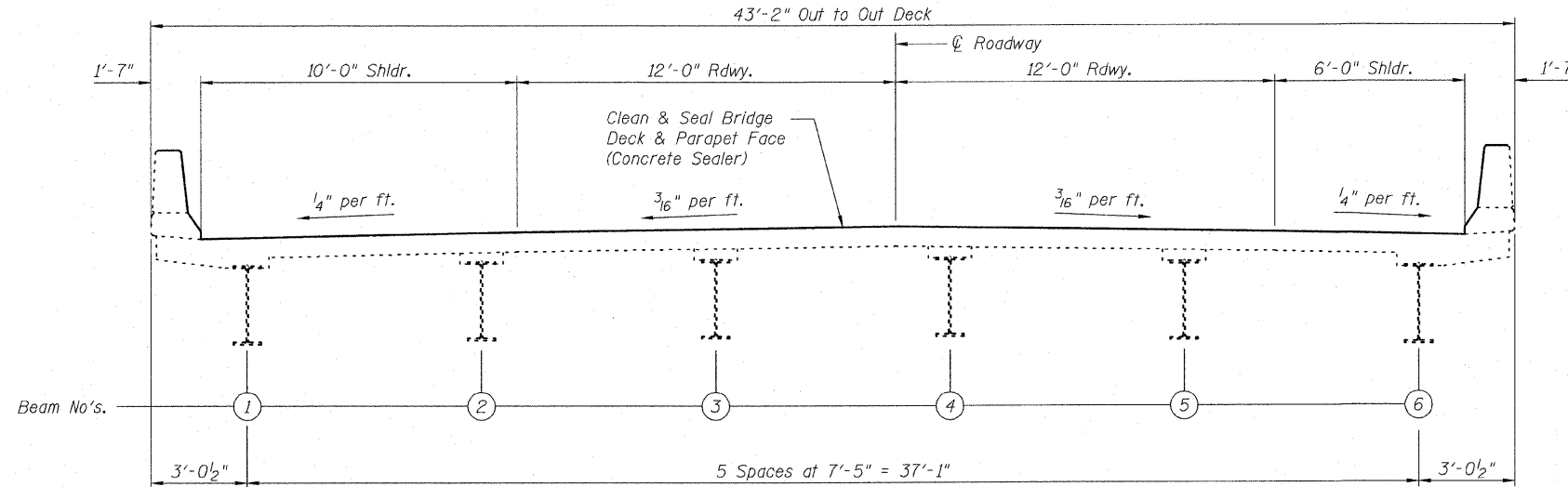
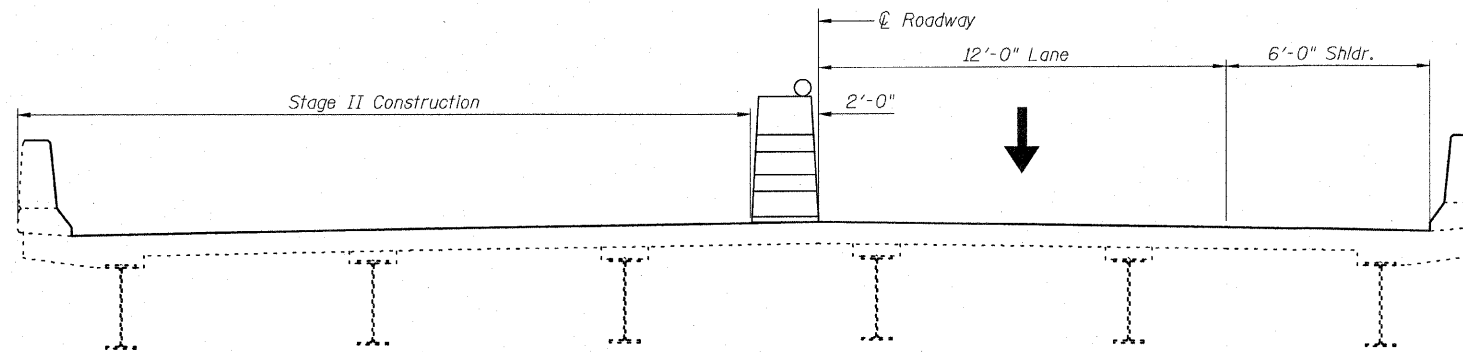
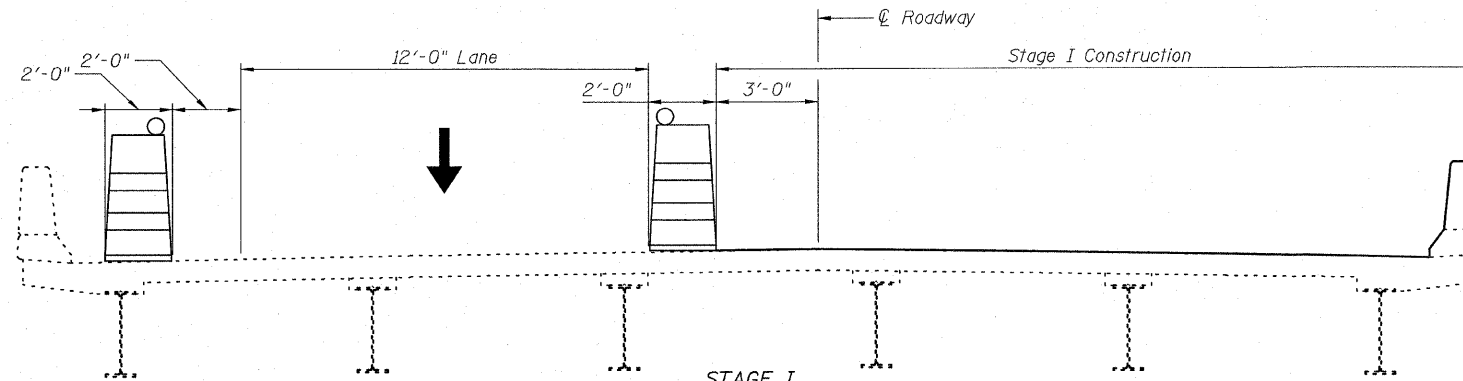


STATE OF ILLINOIS  
DEPARTMENT OF TRANSPORTATION



**CROSS SECTION**  
(LOOKING NORTH)



**CONSTRUCTION STAGING**

**CROSS SECTION &  
CONSTRUCTION STAGING  
STRUCTURE NO. 099-0005**

DESIGNED	BRT
CHECKED	BJM
DRAWN	JNH
CHECKED	BJM



Wight & Company  
2500 North Frontage Road, Darien, IL 60561  
630.969.7000 630.969.7979 fax  
Design Firm Registration 184-000451

SHEET NO. 2 3 SHEETS	F.A.I. RTE.	SECTION	COUNTY	TOTAL SHEETS	SHEET NO.
	55	99 (1+2) RS-12	WILL	110	79
			CONTRACT NO. 60K04		
FED. ROAD DIST. NO. _ ILLINOIS FED. AID PROJECT					