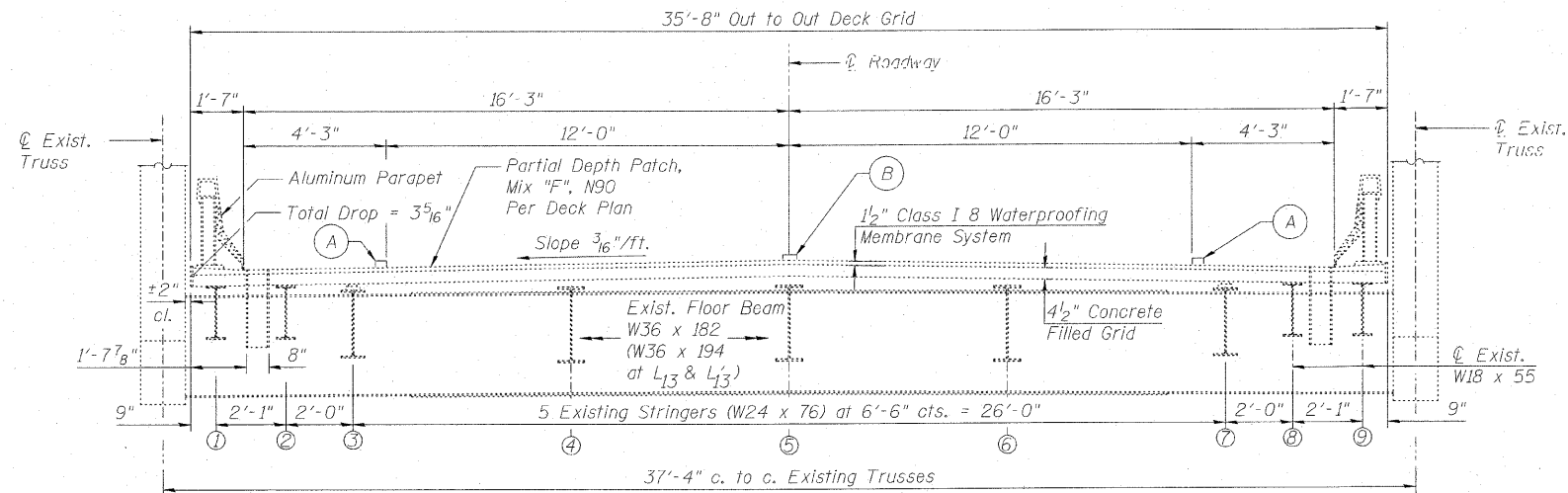
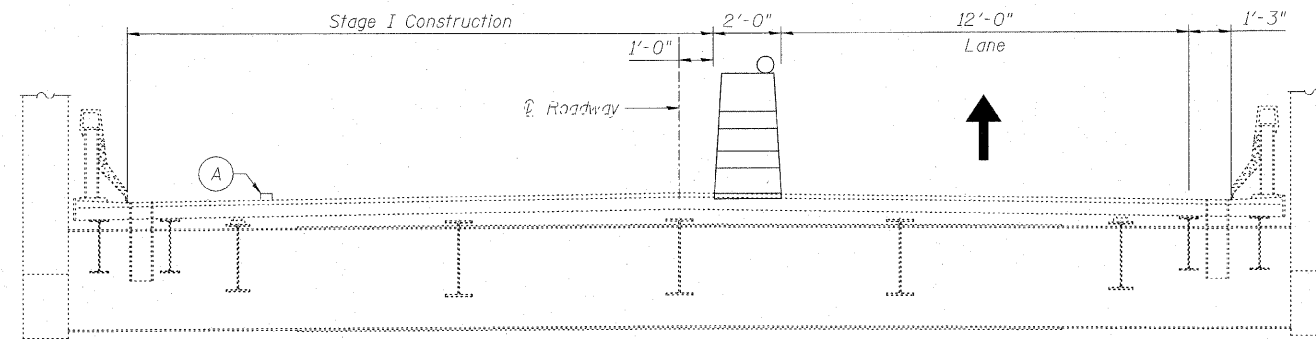


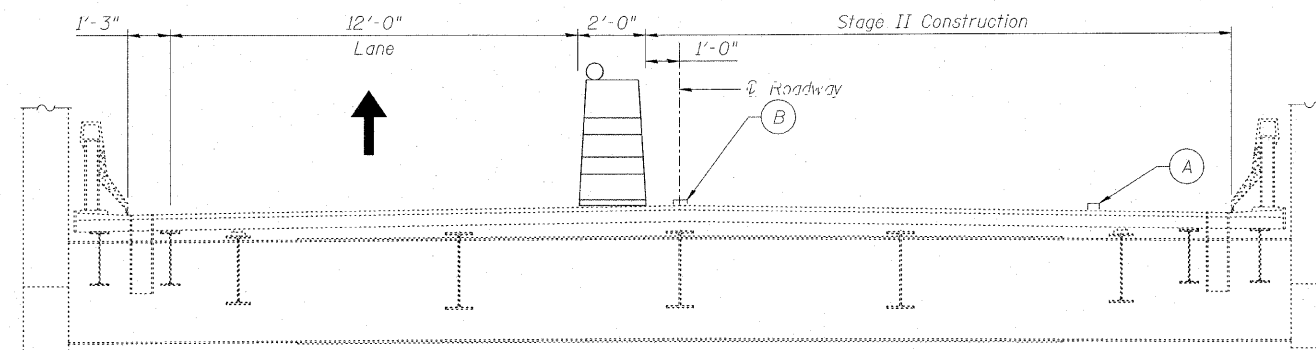
STATE OF ILLINOIS
DEPARTMENT OF TRANSPORTATION



CROSS SECTION



STAGE I
(LOOKING SOUTH)



STAGE II
(LOOKING SOUTH)

CONSTRUCTION STAGING

NOTES:

- (A) Wet Reflective Temporary Tape, Type III, 4" to be placed following completion of Asphaltic Emulsion Slurry Seal. Thermoplastic Pavement Marking - Line 4" to be applied 7 days after Asphaltic Emulsion Slurry Seal application.
- (B) Wet Reflective Temporary Tape, Type III, 5" (10' dash - 30' skip) to be placed immediately following placement of Partial Depth Patch, Mix "F", N90. Wet Reflective Temporary Tape, Type III, 5" (10' dash - 30' skip) to be placed following completion of Asphaltic Emulsion Slurry Seal application. Thermoplastic Pavement Marking Line 4" to be applied 7 days after Asphaltic Emulsion Slurry Seal.

CROSS SECTION &
CONSTRUCTION STAGING
STRUCTURE NO. 099-0008

DESIGNED	BRT
CHECKED	BJM
DRAWN	JNH
CHECKED	BJM



Wight & Company
2500 North Frontage Road . Darien . IL 60561
630.969.7000 630.969.7979 fax
Design Firm Registration 184-000451

SHEET NO. 2 4 SHEETS	F.A.I. RTE.	SECTION	COUNTY	TOTAL SHEETS	SHEET NO.
	55	99 (1&2) RS-12	WILL	110	82
FED. ROAD DIST. NO. - ILLINOIS			FED. AID PROJECT		
CONTRACT NO. 60K04					