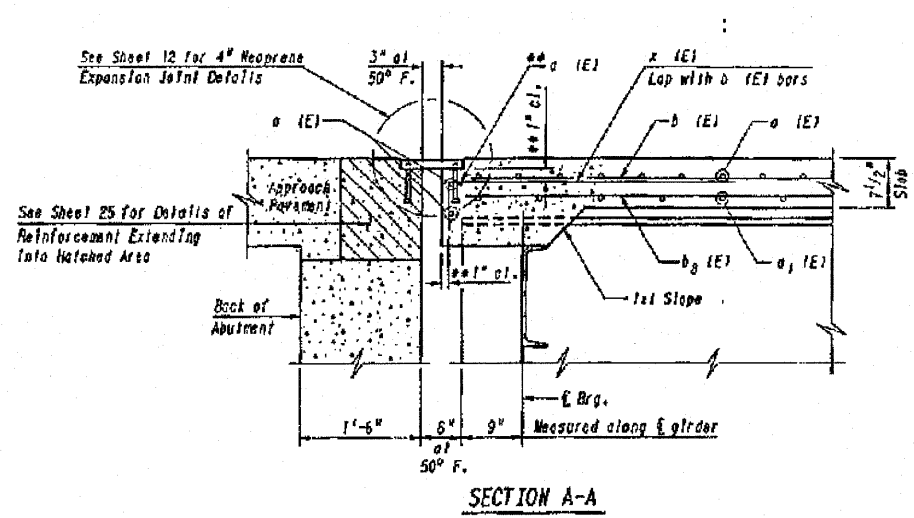
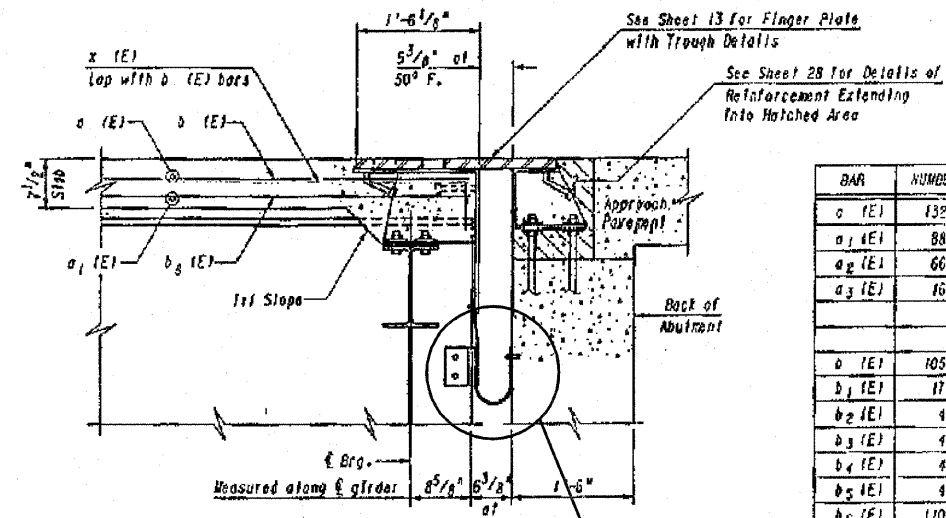


STATE OF ILLINOIS
DEPARTMENT OF TRANSPORTATION



SECTION A-A



SECTION B-B

BILL OF MATERIAL - SUPERSTRUCTURE

BAR	NUMBER	SIZE	LENGTH	SHAPE
a (E)	1322	# 5	42'-6"	
a ₁ (E)	880	# 5	41'-2"	
a ₂ (E)	661	# 6	4'-0"	
a ₃ (E)	168	# 5	2'-0"	
b (E)	1058	# 5	30'-7"	
b ₁ (E)	172	# 6	60'-0"	
b ₂ (E)	43	# 6	24'-0"	
b ₃ (E)	43	# 6	38'-0"	
b ₄ (E)	43	# 6	26'-0"	
b ₅ (E)	43	# 6	9'-0"	
b ₆ (E)	1104	# 5	23'-5"	

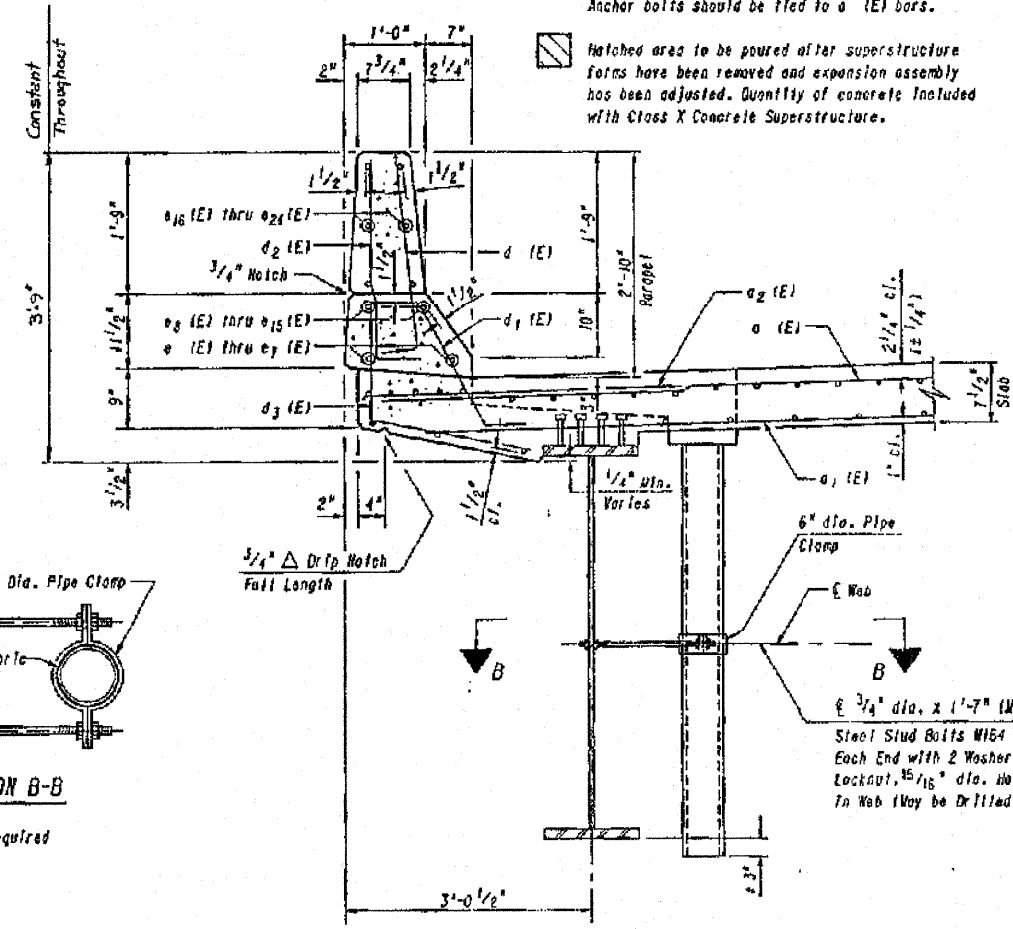
BAR	NUMBER	SIZE	LENGTH	SHAPE
d (E)	1442	# 5	3'-0"	
d ₁ (E)	1442	# 5	2'-7"	
d ₂ (E)	1322	# 4	3'-0"	
d ₃ (E)	1322	# 4	3'-10"	
e (E)	12	# 5	31'-3"	
e ₁ (E)	8	# 5	20'-7"	
e ₂ (E)	32	# 5	30'-1"	
e ₃ (E)	8	# 5	23'-10"	
e ₄ (E)	8	# 5	21'-2"	
e ₅ (E)	12	# 5	28'-2"	
e ₆ (E)	8	# 5	15'-4"	
e ₇ (E)	12	# 5	33'-3"	
e ₈ (E)	12	# 8	33'-7"	
e ₉ (E)	8	# 8	20'-7"	
e ₁₀ (E)	32	# 8	32'-10"	
e ₁₁ (E)	6	# 8	23'-10"	
e ₁₂ (E)	8	# 8	21'-2"	
e ₁₃ (E)	12	# 8	30'-6"	
e ₁₄ (E)	8	# 8	15'-4"	
e ₁₅ (E)	12	# 8	35'-8"	
e ₁₆ (E)	72	# 4	14'-8"	
e ₁₇ (E)	48	# 4	10'-1"	
e ₁₈ (E)	84	# 4	16'-1"	
e ₁₉ (E)	48	# 4	11'-9"	
e ₂₀ (E)	84	# 4	15'-11"	
e ₂₁ (E)	48	# 4	10'-5"	
e ₂₂ (E)	72	# 4	15'-10"	
e ₂₃ (E)	24	# 4	15'-4"	
e ₂₄ (E)	60	# 4	15'-8"	
f (E)	80	# 5	4'-1"	

Reinforcement Bars Epoxy Coated	Lbs.	220,510
Class X Concrete Superstructure	Cu.Yds.	844.2

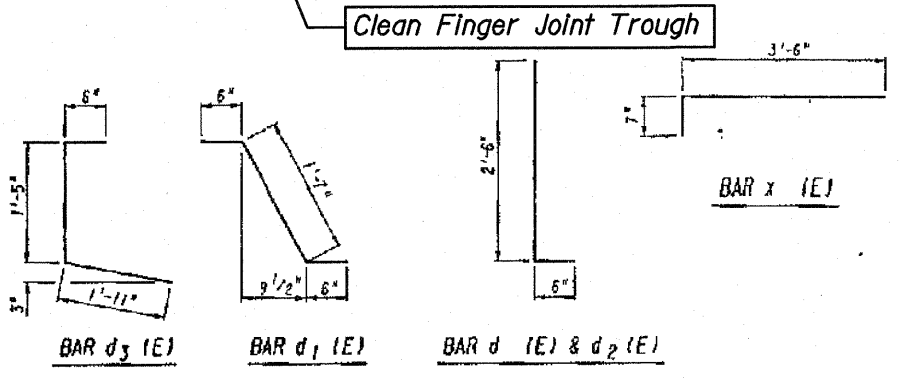
NOTES:
Work this Sheet with Sheets 8, 9 & 10.
Reinforcement bars designated (E) shall be epoxy coated.

FOR INFORMATION ONLY
CLEAN FINGER JOINT TROUGH ONLY

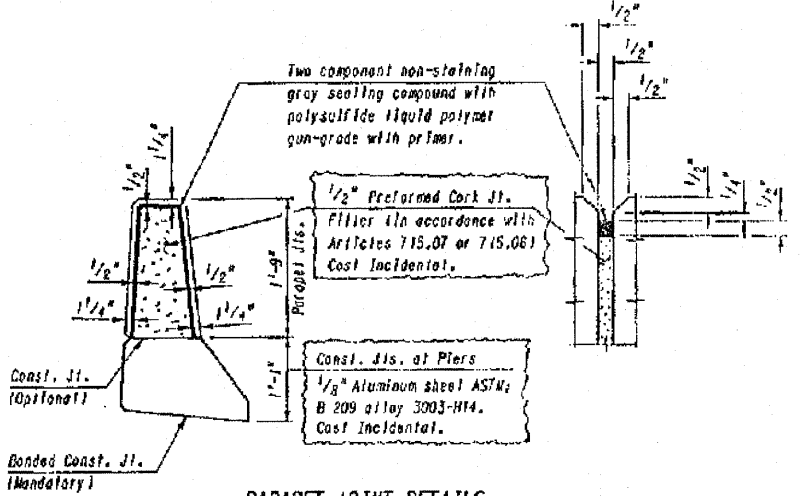
FINGER JOINT TROUGH DETAILS
STRUCTURE NO. 099-0286



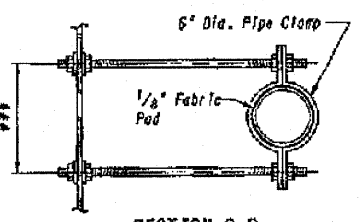
SECTION THRU PARAPET



NOTES:
Drainage Scauppers shall be located clear of all cross framing.



PARAPET JOINT DETAILS



SECTION B-B

*** Dimension as required by Pipe Clamp

DESIGNED	BRT
CHECKED	BJM
DRAWN	KMS
CHECKED	BJM



Wight & Company
2500 North Frontage Road, Darien, IL 60561
630.969.7000 630.969.7979 fax
Design Firm Registration 184-000451

SHEET NO. 5 6 SHEETS	F.A.I. RTE.	SECTION	COUNTY	TOTAL SHEETS	SHEET NO.
	55	99 (I+2) 25-12	WILL	110	93
			CONTRACT NO. 60604		
FED. ROAD DIST. NO. ILLINOIS FED. AID PROJECT					

1/27/2010 9:28:16 AM Default G:\ENR\06-5529-02-D1-Variation Structure\CAD\0990286\Sheet\0990286_005_Finger Joint Trough Details.dgn