

**STATE OF ILLINOIS  
DEPARTMENT OF TRANSPORTATION  
DIVISION OF HIGHWAYS**

**PROPOSED  
HIGHWAY PLANS**

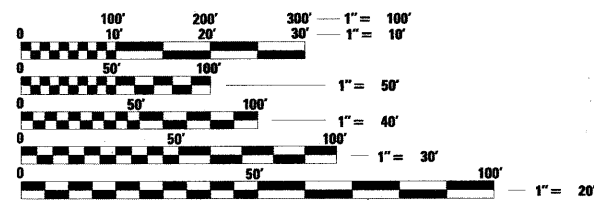
**FAI ROUTE 55 (I-55) OVER THE KANKAKEE RIVER  
SECTION 88(B&B-1)BR  
BRIDGE REHABILITATION  
WILL COUNTY  
PROJECT: ESP-055-6(238)241  
C-91-166-05**

FOR INDEX OF SHEETS, SEE SHEET NO. 2

IMPROVEMENTS LOCATED WITHIN  
THE CITY OF WILMINGTON, IL

**TRAFFIC DATA**

FUNCTIONAL CLASSIFICATION - INTERSTATE, CLASS I TRUCK ROUTE  
AT NEW RIVER RD. 2005 ADT = 55,000  
AT LORENZO RD. 2005 ADT = 40,900  
INTERSTATE 55 POSTED SPEED LIMIT = 65 MPH

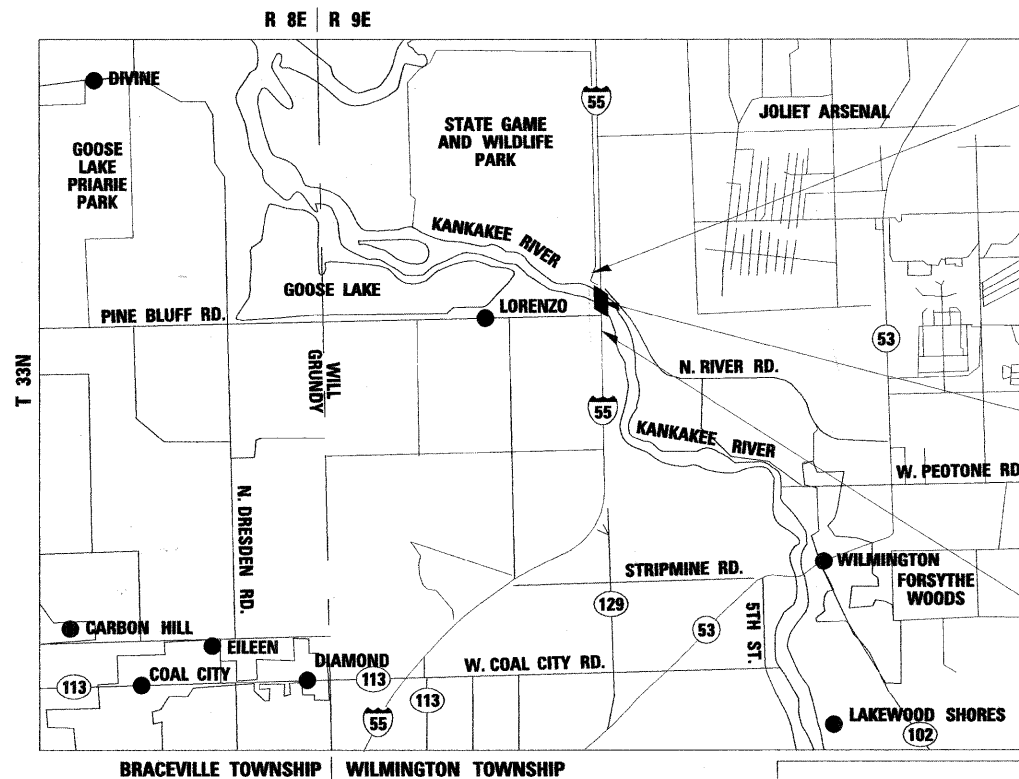


FULL SIZE PLANS HAVE BEEN PREPARED USING STANDARD  
ENGINEERING SCALES. REDUCED SIZED PLANS WILL NOT  
CONFORM TO STANDARD SCALES. IN MAKING MEASUREMENTS  
ON REDUCED PLANS, THE ABOVE SCALES MAY BE USED.

J.U.L.I.E.  
JOINT UTILITY LOCATION INFORMATION FOR EXCAVATION  
1-800-892-0123  
OR 811

PROJECT ENGINEER: MICHELLE AQUINO (847) 705-4606  
PROJECT MANAGER: RAJENDRA SHAH (847) 705-4555

CONTRACT NO. 62930



**LOCATION MAP  
(NTS)**  
GROSS LENGTH = NET LENGTH = 6320 FEET = 1.20 MILES

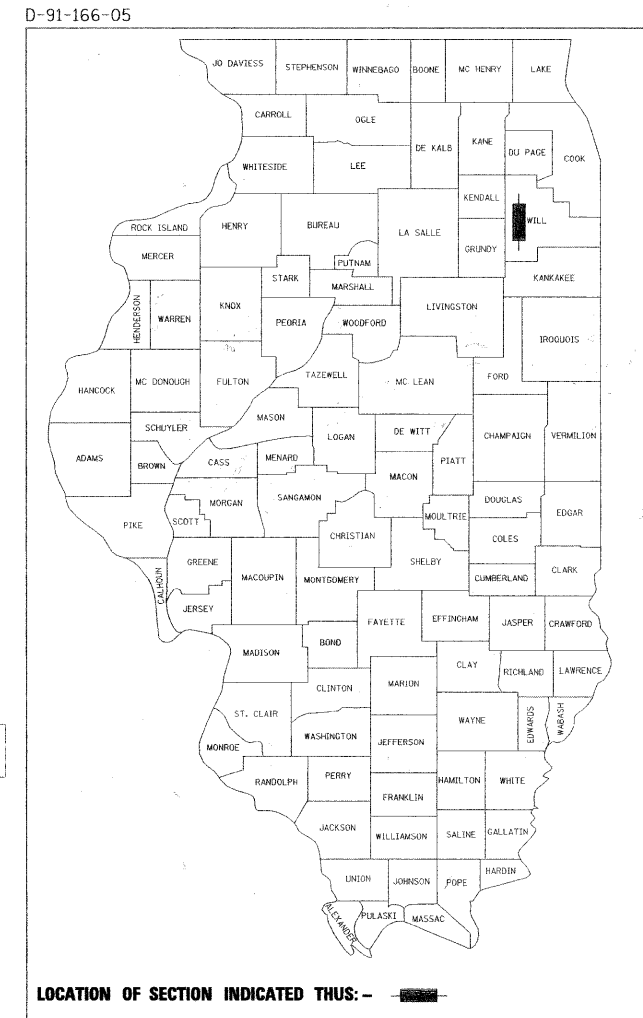
PROJECT ENDS  
STA. 90 + 70.00

LOCATION OF PROJECT  
FAI ROUTE 55 BRIDGE  
OVER KANKAKEE RIVER  
S.N. 099-0001 (NB)  
S.N. 099-0002 (SB)

PROJECT BEGINS  
STA. 27 + 50.00

MARY COOMBE BLOXDORF  
DISCIPLINE: STRUCTURAL ENGINEER  
LICENSE NO. 081-004859  
LICENSE EXPIRES 11/30/2010

CHAD M. JANSON  
DISCIPLINE - CIVIL ENGINEER  
LICENSE NO. 062-053980  
LICENSE EXPIRES 11/30/2011



**rjngroup**  
200 West Front Street  
Wheaton, IL 60187  
Excellence through Ownership  
License # 184-000813

STATE OF ILLINOIS  
DEPARTMENT OF TRANSPORTATION  
DIVISION OF HIGHWAYS

SUBMITTED June 24, 2009

*Dis O'Reilly*  
DEPUTY DIRECTOR OF HIGHWAYS, REGION ENGINEER

December 4, 2009  
*Charles G. Ingersoll*  
ENGINEER OF DESIGN AND ENVIRONMENT

December 4, 2009  
*Christine M. Reed*  
DIRECTOR OF HIGHWAYS, CHIEF ENGINEER

**PRINTED BY THE AUTHORITY  
OF THE STATE OF ILLINOIS**

Rev. 4-1-10  
Rev. 12-30-09

**FINAL PLANS**

F.A. RTE.	SECTION	COUNTY	TOTAL SHEETS	SHEET NO.
55	88 (B&B) BR	WILL	72	1
		ILLINOIS	CONTRACT NO. 62930	

\*72+6 = 78

SUMMARY OF QUANTITIES

SUMMARY OF QUANTITIES			URBAN TOTAL QUANTITY	CONSTRUCTION TYPE CODE		
CODE NO.	ITEM DESCRIPTION	UNIT		ROADWAY 1000-2A QUANTITY	BRIDGE	
					SN 099-0001 X071-2A QUANTITY	SN 099-0002 X071-2A QUANTITY
20200100	EARTH EXCAVATION	CU YD	3,610	3,610		
<del>20201500</del>	<del>SUB-BASE GRANULAR MATERIAL, TYPE B</del>	<del>CU YD</del>	<del>783</del>	<del>783</del>		
20201200	REMOVAL AND DISPOSAL OF UNSUITABLE MATERIAL	CU YD	500	500		
20400800	FURNISHED EXCAVATION	CU YD	200	200		
20800150	TRENCH BACKFILL	CU YD	120	120		
25000210	SEEDING, CLASS 2A	ACRE	0.56	0.56		
25000400	NITROGEN FERTILIZER NUTRIENT	POUND	50	50		
25000500	PHOSPHORUS FERTILIZER NUTRIENT	POUND	50	50		
25000600	POTASSIUM FERTILIZER NUTRIENT	POUND	50	50		
25100630	EROSION CONTROL BLANKET	SQ YD	2,713	2,713		
28000500	INLET AND PIPE PROTECTION	EACH	4	4		
40600895	CONSTRUCTING TEST STRIP	EACH	1	1		
40603340	HOT-MIX ASPHALT SURFACE COURSE, MIX "D", N70	TON	1524	1524		
<del>40603595</del>	<del>POLYMERIZED HOT-MIX ASPHALT SURFACE COURSE, MIX "F", N90</del>	<del>TON</del>	<del>72</del>	<del>72</del>		
40800020	BITUMINOUS MATERIALS (PRIME COAT)	TON	45	45		
42001300	PROTECTIVE COAT	SQ YD	8,802		4,353	4,449
<del>44000155</del>	<del>HOT-MIX ASPHALT SURFACE REMOVAL, 1 1/2"</del>	<del>SQ YD</del>	<del>10,680</del>	<del>10,680</del>		
<del>44000156</del>	<del>HOT-MIX ASPHALT SURFACE REMOVAL, 1 3/4"</del>	<del>SQ YD</del>	<del>2,250</del>	<del>2,250</del>		
44004250	PAVED SHOULDER REMOVAL	SQ YD	2,670	2,670		
48203003	HOT-MIX ASPHALT SHOULDERS, 1 1/2"	SQ YD	10,680	10,680		
50102400	CONCRETE REMOVAL	CU YD	93		85	8
50104400	CONCRETE HEADWALL REMOVAL	EACH	10	10		
50200100	STRUCTURE EXCAVATION	CU YD	10		10	
50300225	CONCRETE STRUCTURES	CU YD	46.8		17.3	29.5
50300255	CONCRETE SUPERSTRUCTURE	CU YD	90.8		90.8	
50300260	BRIDGE DECK GROOVING	SQ YD	8,306		4,087	4,219
50500505	STUD SHEAR CONNECTORS	EACH	19		19	
NP 55039700	STORM SEWERS TO BE CLEANED	FOOT	850	850		
50800205	REINFORCEMENT BARS, EPOXY COATED	POUND	18,740		15,650	3,090
52000110	PREFORMED JOINT STRIP SEAL	FOOT	92		92	
52000325	NEOPRENE EXPANSION JOINT, 2 1/2"	FOOT	97			97
52000340	NEOPRENE EXPANSION JOINT, 4"	FOOT	191		94	97
542A0217	PIPE CULVERTS, CLASS A, TYPE 1 12"	FOOT	339	339		
542A0220	PIPE CULVERTS, CLASS A, TYPE 1 15"	FOOT	475	475		
542A0223	PIPE CULVERTS, CLASS A, TYPE 1 18"	FOOT	30	30		
54213657	PRECAST REINFORCED CONCRETE FLARED END SECTIONS 12"	EACH	2	2		
54213660	PRECAST REINFORCED CONCRETE FLARED END SECTIONS 15"	EACH	1	1		
54247090	GRATING FOR CONCRETE FLARED END SECTION 12"	EACH	2	2		
54247100	GRATING FOR CONCRETE FLARED END SECTION 15"	EACH	1	1		
59000200	EPOXY CRACK INJECTION	FOOT	902		627	275
60100060	CONCRETE HEADWALL FOR PIPE DRAINS	EACH	4	4		
60107600	PIPE UNDERDRAINS 4"	FOOT	4,000	4,000		
60236200	INLETS, TYPE A, TYPE 8 GRATE	EACH	3	3		
60615400	PAVED DITCH, TYPE A-15	FOOT	517	517		
63801200	MODULAR GLARE SCREEN SYSTEM	FOOT	4,300	4,300		
67000400	ENGINEER'S FIELD OFFICE, TYPE A	CAL MO	12	12		
67100100	MOBILIZATION	L SUM	1	1		
<del>70100405</del>	<del>TRAFFIC CONTROL AND PROTECTION, STANDARD 701321</del>	<del>EACH</del>	<del>1</del>	<del>1</del>		
70106800	CHANGEABLE MESSAGE SIGN	CAL MO	12	12		

SUMMARY OF QUANTITIES			URBAN TOTAL QUANTITY	CONSTRUCTION TYPE CODE		
CODE NO.	ITEM DESCRIPTION	UNIT		ROADWAY 1000-2A QUANTITY	BRIDGE	
					SN 099-0001 X071-2A QUANTITY	SN 099-0002 X071-2A QUANTITY
70300240	TEMPORARY PAVEMENT MARKING - LINE 6"	FOOT	12,250	12,250		
70301000	WORK ZONE PAVEMENT MARKING REMOVAL	SQ FT	12,370	12,370		
70400100	TEMPORARY CONCRETE BARRIER	FOOT	5,965	5,965		
70400200	RELOCATE TEMPORARY CONCRETE BARRIER	FOOT	11,830	11,830		
* 78000200	THERMOPLASTIC PAVEMENT MARKING - LINE 4"	FOOT	20,080	20,080		
* 78000500	THERMOPLASTIC PAVEMENT MARKING - LINE 8"	FOOT	2,690	2,690		
* 78000600	THERMOPLASTIC PAVEMENT MARKING - LINE 12"	FOOT	660	660		
* 78003120	PREFORMED PLASTIC PAVEMENT MARKING, TYPE B - LINE 5"	FOOT	4,450	4,450		
* 78005110	EPOXY PAVEMENT MARKING-LINE 4"	FOOT	29,087	29,087		
* 78100100	RAISED REFLECTIVE PAVEMENT MARKER	EACH	350	350		
78300100	PAVEMENT MARKING REMOVAL	SQ FT	7,470	7,470		
78300200	RAISED REFLECTIVE PAVEMENT MARKER REMOVAL	EACH	350	350		
X0320887	POLYMER CONCRETE	CU FT	0.5			0.5
X0322185	BRIDGE DECK LATEX CONCRETE OVERLAY, 2 1/4 INCHES	SQ YD	8,611		4,162	4,449
<del>X0322250</del>	<del>TEMPORARY INFORMATION, SIGNING</del>	<del>SQ FT</del>	<del>1414</del>	<del>1414</del>		
X0324744	REMOVAL OF EXISTING PRECAST CONCRETE UNITS	SQ FT	180		180	
X0325085	TEMPORARY PAVEMENT (INTERSTATE)	SQ YD	7,044	7,044		
X0325303	STRUCTURAL REPAIR OF CONCRETE (DEPTH GREATER THAN 5 INCHES)	SQ FT	17		17	
X0325305	STRUCTURAL REPAIR OF CONCRETE (DEPTH EQUAL TO OR LESS THAN 5 INCHES)	SQ FT	621		531	90
X0325349	TEMPORARY CONCRETE BARRIER (TO REMAIN PERMANENTLY)	FOOT	1,038	1,038		
X0325416	TRAFFIC CONTROL AND PROTECTION FOR DETOUR ROUTE	L SUM	1	1		
X0325426	PORTLAND CEMENT CONCRETE SURFACE REMOVAL, 1 3/4"	SQ YD	850	850		
* X0325590	HIGH TENSION CABLE MEDIAN BARRIER TERMINALS	EACH	4	4		
X0325775	WET REFLECTIVE TEMPORARY TAPE, TYPE III, 4 INCH	FOOT	37,110	37,110		
X4067107	POLYMERIZED LEVELING BINDER (MACHINE METHOD), IL-4.75, N50	TON	56	56		
X5121800	PERMANENT STEEL SHEET PILING	SQ FT	468		468	
X7011015	TRAFFIC CONTROL AND PROTECTION (EXPRESSWAYS)	L SUM	1	1		
X7013820	TRAFFIC CONTROL SURVEILLANCE, EXPRESSWAYS	CAL DA	80	80		
X5010522	REMOVE CONCRETE END SECTION	EACH	1	1		
* X0326888	CLEAN AND RELAMP EXISTING LUMINAIRE	EACH	57	57		
<del>Z0002820</del>	<del>BARRICADES, TYPE III</del>	<del>WEEK</del>	<del>60</del>	<del>60</del>		
Z0006201	BRIDGE DECK HYDRO-SCARIFICATION 1"	SQ YD	8,611		4,162	4,449
Z0013798	CONSTRUCTION LAYOUT	L SUM	1	1		
NP Z0014700	CULVERT TO BE CLEANED	EACH	14	14		
Z0016001	DECK SLAB REPAIR (FULL DEPTH, TYPE I)	SQ YD	6		5	1
Z0016002	DECK SLAB REPAIR (FULL DEPTH, TYPE II)	SQ YD	238		238	
NP Z0018500	DRAINAGE STRUCTURES TO BE CLEANED	EACH	14	14		
Z0030150	IMPACT ATTENUATORS (NON-REDIRECTIVE), TEST LEVEL 3	EACH	4	4		
Z0030250	IMPACT ATTENUATORS, TEMPORARY (NON-REDIRECTIVE), TEST LEVEL 3	EACH	2	2		
Z0030350	IMPACT ATTENUATORS, RELOCATE (NON-REDIRECTIVE), TEST LEVEL 3	EACH	4	4		
Z0040530	PIPE UNDERDRAIN REMOVAL	FOOT	4,000	4,000		
Z0043800	PRECAST PRESTRESSED CONCRETE I-BEAM REPAIR	SQ FT	11.5		11.5	
Z0065740	SLOTTED DRAIN 12" WITH VARIABLE SLOT	FOOT	466	466		
⊙ Z0076600	TRAINEES	HOUR	1000	1000		
Z0076870	UNDERDRAIN CONNECTION TO STRUCTURE	EACH	4	4		
* X0326676	REPLACE SURFACE SENSOR AND TEMPERATURE PROBE	L SUM	1	1		
X0326777	REMOVE HIGH TENSION CABLE MEDIAN BARRIER	FOOT	2,390	2,390		
Z001050	AGGREGATE SUBGRADE, 12"	SQ YD	7,044	7,044		
Z0065760	SLOTTED DRAIN 15" WITH VARIABLE SLOT	FOOT	573	573		

Rev. 4-1-10  
Rev. 12-30-09

NP = NON-PARTICIPATING  
⊙ = Y080

SUMMARY OF QUANTITIES

SUMMARY OF QUANTITIES			URBAN TOTAL QUANTITY	CONSTRUCTION TYPE CODE		
CODE NO.	ITEM DESCRIPTION	UNIT		ROADWAY 1000-2A QUANTITY	BRIDGE	
					SN 099-0001 X071-2A QUANTITY	SN 099-0002 X071-2A QUANTITY
40600300	AGGREGATE (PRIME COAT)	TON	223	223		
40600982	HOT-MIX ASPHALT SURFACE REMOVAL - BUTT JOINT	SQ YD	144	144		
40601005	HOT MIX ASPHALT REPLACEMENT OVER PATCHES	TON	530	530		
40603085	HOT-MIX ASPHALT BINDER COURSE, IL-19.0, N70	TON	2,286	2,286		
44000164	HOT-MIX ASPHALT SURFACE REMOVAL, 3 3/4"	SQ YD	18,147	18,147		
44000165	HOT-MIX ASPHALT SURFACE REMOVAL, 4"	SQ YD	37,548	37,548		
44002216	HOT-MIX ASPHALT REMOVAL OVER PATCHES, 4"	SQ YD	2366	2366		
44201765	CLASS D PATCHES, TYPE II, 10 INCH	SQ YD	901	901		
44201769	CLASS D PATCHES, TYPE III, 10 INCH	SQ YD	676	676		
44201771	CLASS D PATCHES, TYPE IV, 10 INCH	SQ YD	676	676		
44300900	STRIP REFLECTIVE CRACK CONTROL TREATMENT SYSTEM A	FOOT	10,915	10,915		
63500105	DELINEATORS	EACH	133	133		
64200105	SHOULDER RUMBLE STRIP	FOOT	16,053	16,053		
X0322729	MATERIAL TRANSFER DEVICE	TON	10,138	10,138		
X0324685	TEST STRIP (STONE MATRIX ASPHALT)	EACH	2	2		
40603153	POLYMERIZED HOT-MIX ASPHALT SURFACE COURSE, STONE MATRIX ASPHALT, N80	TON	5,069	5,069		
40603148	POLYMERIZED HOT-MIX ASPHALT BINDER COURSE, STONE MATRIX ASPHALT, N80	TON	5,069	5,069		
*18005120	EPOXY PAVEMENT MARKING - LINE 5"	FOOT	2,902	2,902		
*18005140	EPOXY PAVEMENT MARKING - LINE 8"	FOOT	3,860	3,860		
*18005150	EPOXY PAVEMENT MARKING - LINE 12"	FOOT	121	121		

\* SPECIALTY ITEMS

Added Sheet 12-30-09



Excellence through Ownership

200 West Front Street  
Wheaton, IL 60187

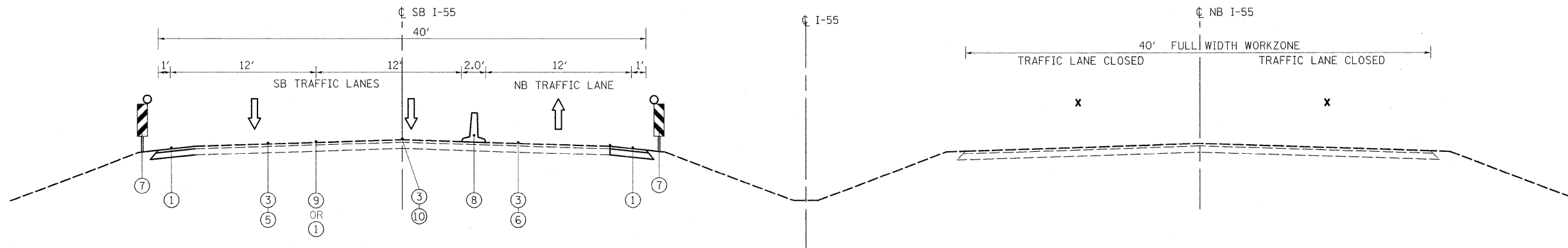
DESIGNED - KSD	REVISED - ADD. NO. 1
DRAWN - KSD	REVISED -
CHECKED - CMJ	REVISED -
DATE - 03-04-09	REVISED -

STATE OF ILLINOIS  
DEPARTMENT OF TRANSPORTATION

I-55 OVER THE KANKAKEE RIVER  
SUMMARY OF QUANTITIES

SCALE: NTS SHEET NO. 1 OF 1 SHEETS STA. ---- TO STA. ----

F.A.I. RTE. 55	SECTION 88 (B&B-1) BR	COUNTY WILL	TOTAL SHEETS 72	SHEET NO. 4A
CONTRACT NO. 62930				
FED. ROAD DIST. NO. 1 ILLINOIS FED. AID PROJECT				

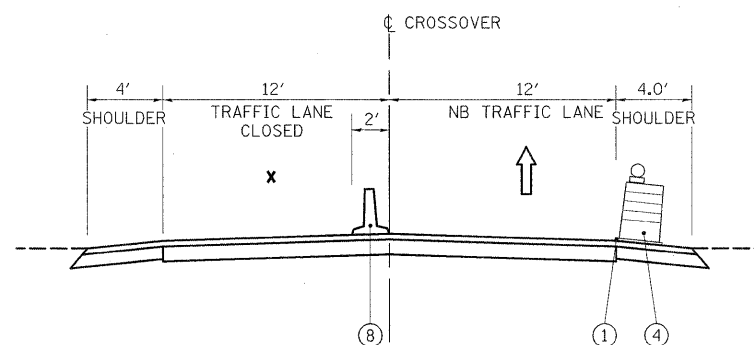


**TYPICAL SECTION - STAGE II**  
**SOUTH BOUND**  
**(SECTION LOOKING NORTH)**  
**STA. 42+50 TO STA. 76+50**

**TYPICAL SECTION - STAGE II**  
**(SECTION LOOKING NORTH)**  
**STA. 42+50 TO STA. 76+50**

**STAGE II (FOR WORK AT NB I-55 BRIDGE)**

1. USING DAY LANE CLOSURE, PATCH AND REPAIR ANY NEEDED AREAS OF SOUTHBOUND BRIDGE DECK OR AS DIRECTED BY THE ENGINEER. THIS WORK WILL BE PAID FOR AS BITUMINOUS CONCRETE REMOVAL (DECK) (1 1/2 INCH), BITUMINOUS MATERIALS (PRIME COAT) AND INCIDENTAL BITUMINOUS SURFACING.
2. SHIFT TRAFFIC ONTO SOUTHBOUND PAVEMENT IN ACCORDANCE WITH TRAFFIC PLAN AND DISTRICT ONE STANDARD TC-09 "FREEWAY SINGLE AND MULTILANE WEAVE".
3. PERFORM STRUCTURAL REHABILITATION ON NB I-55 BRIDGE.
4. LANDSCAPE RESTORATION.
5. TEMPORARY STRIPE PAVEMENT.



**CROSSOVER TYPICAL SECTION - STAGE II**  
**SOUTH BOUND PEAK**  
**(SECTION LOOKING NORTH)**  
**STA. 33+50 TO STA. 42+50**  
**STA. 76+50 TO STA. 87+50**

NOTE: UPON COMPLETION OF STAGE II CONSTRUCTION, CONTRACTOR SHALL MAKE THE FOLLOWING PREPARATIONS FOR THE INTERIM PERIOD BETWEEN STAGE II AND STAGE III CONSTRUCTION:

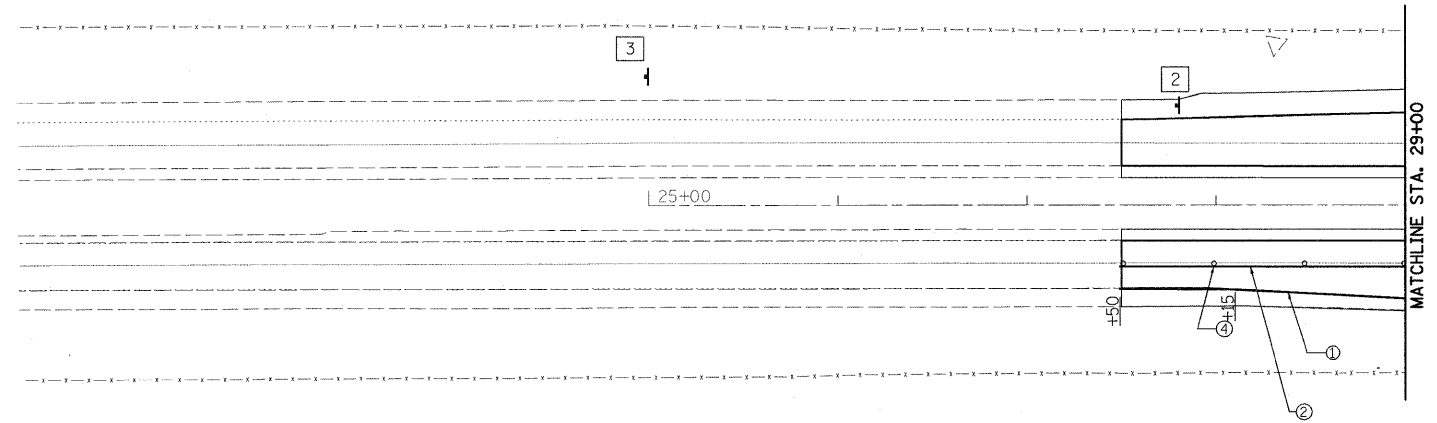
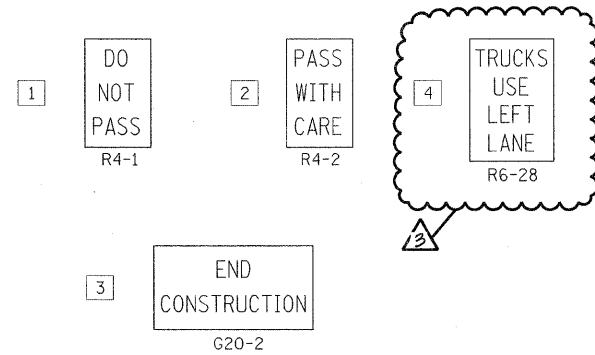
- RELOCATE TEMPORARY CONCRETE BARRIER AND TEMPORARY IMPACT ATTENUATORS TO CROSSOVER PAVEMENT.
- REPLACE ALL PAVEMENT MARKING REMOVED DURING STAGE II CONSTRUCTION WITH EPOXY PAVEMENT MARKING IN THE LOCATIONS DESIGNATED IN THE PAVEMENT MARKING PLANS (SHEETS 27-28).
- REMOVE EPOXY PAVEMENT MARKING PRIOR TO THE COMMENCEMENT OF STAGE III CONSTRUCTION.

**LEGEND**

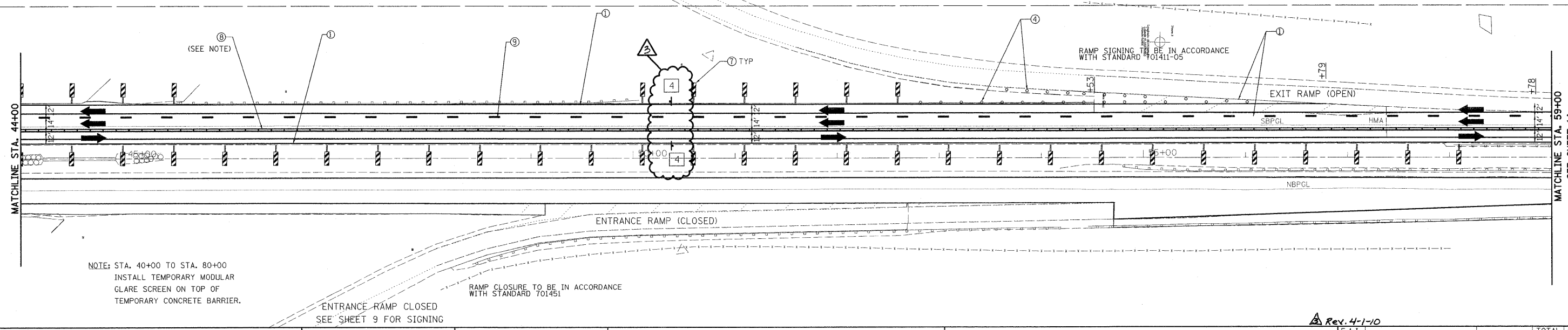
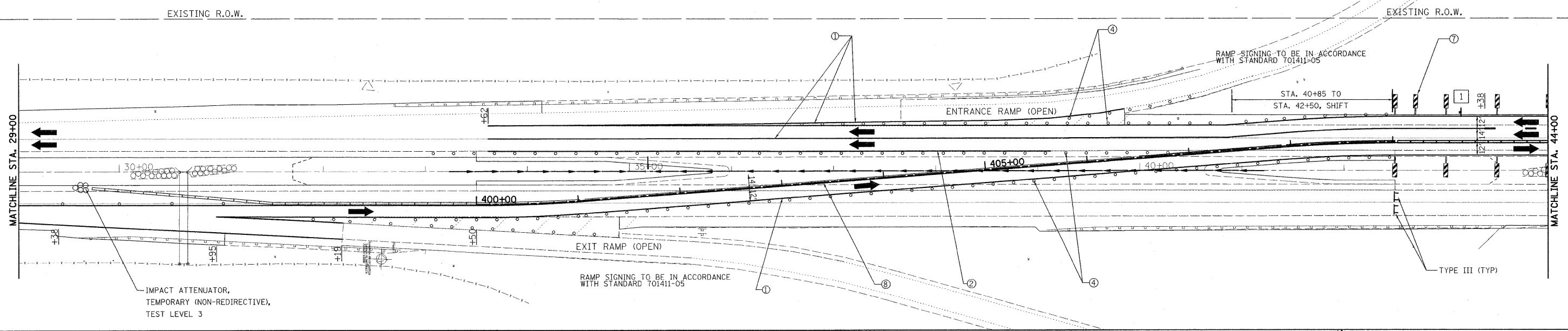
- ① WET REFLECTIVE TEMPORARY TAPE TYPE III, 4" WHITE EDGE LINE
- ② WET REFLECTIVE TEMPORARY TAPE TYPE III, 4" YELLOW EDGE LINE
- ③ PAVEMENT MARKING REMOVAL
- ④ DRUMS WITH STEADY BURNING MONODIRECTIONAL LIGHT
- ⑤ EXISTING PAVEMENT MARKING, WHITE EDGE LINE
- ⑥ EXISTING PAVEMENT MARKING, YELLOW EDGE LINE
- ⑦ VERTICAL PANELS (BACK TO BACK)
- ⑧ TEMPORARY CONCRETE BARRIER
- ⑨ WET REFLECTIVE TEMPORARY TAPE TYPE III, 4" WHITE (10' LINE, 30' SPACE) LINE
- ⑩ EXISTING PAVEMENT MARKING, WHITE LANE LINE (10' LINE, 30' SKIP)



- LEGEND**
- ① WET REFLECTIVE TEMPORARY TAPE TYPE III, 4" WHITE EDGE LINE
  - ② WET REFLECTIVE TEMPORARY TAPE TYPE III, 4" YELLOW EDGE LINE
  - ③ NOT USED
  - ④ DRUMS WITH STEADY BURNING MONODIRECTIONAL LIGHT
  - ⑤ NOT USED
  - ⑥ NOT USED
  - ⑦ VERTICAL PANELS (BACK TO BACK)
  - ⑧ TEMPORARY CONCRETE BARRIER
  - ⑨ WET REFLECTIVE TEMPORARY TAPE TYPE III, 4" WHITE (10' LINE, 30' SPACE) LINE
- TEMPORARY CONCRETE BARRIER  
 TEMPORARY CONCRETE BARRIER WITH MODULAR GLARE SCREEN



← ADVANCED LANE CLOSURE SIGNING TO BE IN ACCORDANCE WITH STANDARD 701400-03 | LANE CLOSURE TRAFFIC CONTROL (INCLUDING SIGNING) TO BE IN ACCORDANCE WITH STANDARD 701416-06 →



**rjngroup**  
 Excellence through Ownership  
 200 West Front Street  
 Wheaton, IL 60187

DESIGNED - KSD	REVISED -
DRAWN - KSD	REVISED -
CHECKED - CMJ	REVISED -
DATE - 03-04-09	REVISED -

**STATE OF ILLINOIS**  
**DEPARTMENT OF TRANSPORTATION**

**IL-55 OVER THE KANKAKEE RIVER**  
**TRAFFIC CONTROL PLAN STAGE II**

SCALE: 1" = 50' SHEET NO. 1 OF 2 SHEETS STA. 29+00.00 TO STA. 59+00.00

F.A.I. RTE. 55	SECTION 88 (B&B-1) BR	COUNTY WILL	TOTAL SHEETS 72	SHEET NO. 13
CONTRACT NO. 62930				
FED. ROAD DIST. NO. 1 ILLINOIS FED. AID PROJECT				

Rev. 4-1-10

