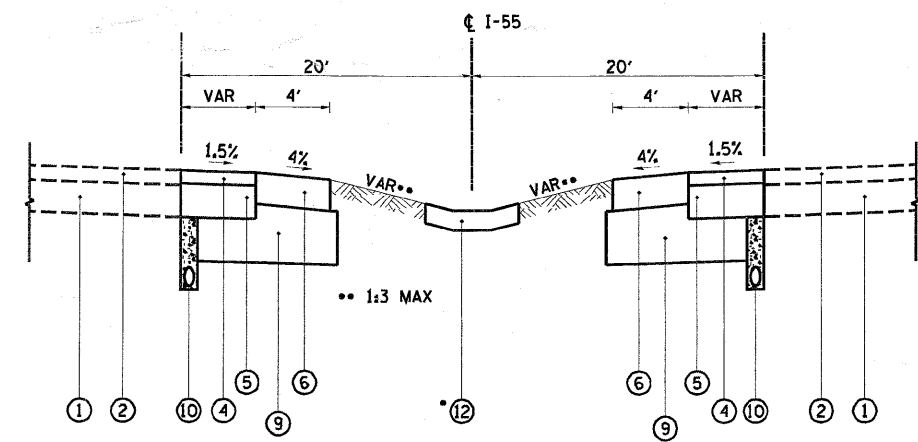


TYPICAL SECTION - ALTERNATE A

STA 35+97.64 TO 40+63.34
STA 78+93.80 TO 84+65.56



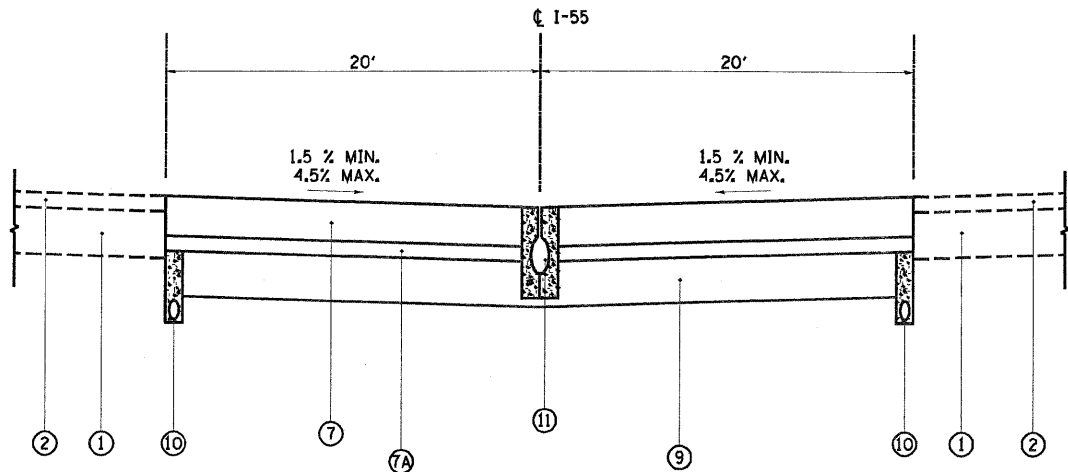
TYPICAL SECTION - ALTERNATE A

STA 33+50.00 TO 35+97.84
STA 40+63.34 TO 42+50.00
STA 76+50.00 TO 78+93.80
STA 84+65.56 TO 87+50.00

* SEE PLAN AND PROFILE FOR LOCATION OF STORM SEWER AND PAVED DITCH

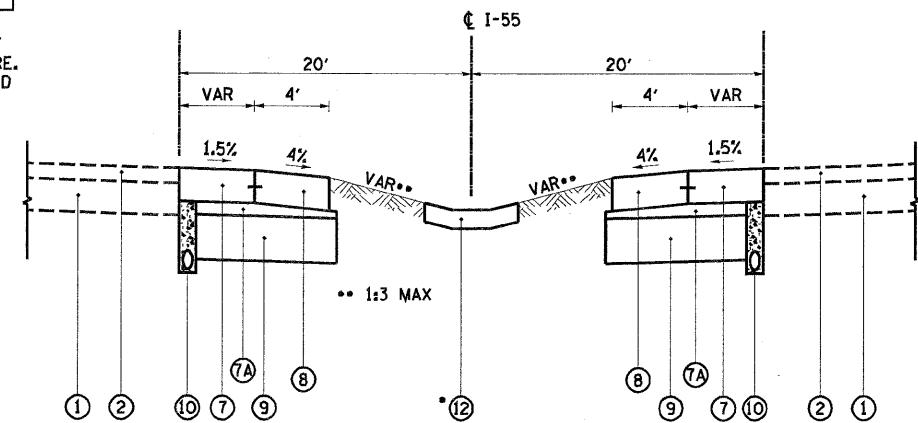
CONTRACTOR SHALL BID ACCORDING TO EITHER ALTERNATE A OR ALTERNATE B. PAVEMENT MATERIAL IN EITHER ALTERNATE WILL BE MEASURED AND PAID FOR PER SQUARE YARD AS TEMPORARY PAVEMENT (INTERSTATE). SEE SPECIAL PROVISIONS.

CROSS-SECTIONS (SHEETS 57-64) MAY NOT MATCH THE TYPICAL SECTIONS SHOWN HERE. PLAN QUANTITIES WERE CALCULATED BASED ON TYPICAL SECTIONS SHOWN HERE.



TYPICAL SECTION - ALTERNATE B

STA 35+97.64 TO 40+63.34
STA 78+93.80 TO 84+65.56



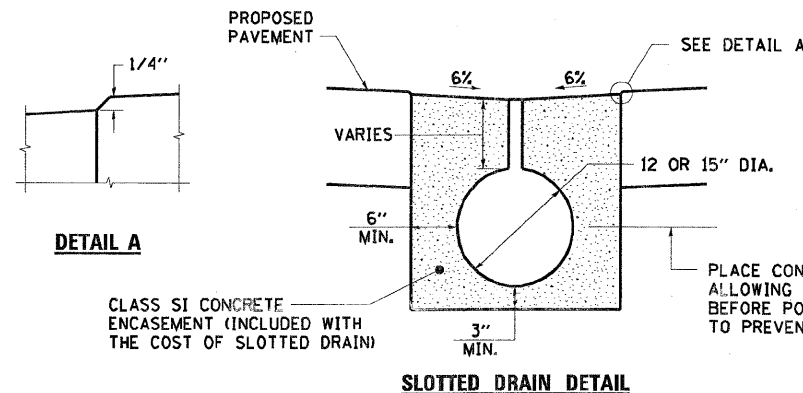
TYPICAL SECTION - ALTERNATE B

STA 33+50.00 TO 35+97.84
STA 40+63.34 TO 42+50.00
STA 76+50.00 TO 78+93.80
STA 84+65.56 TO 87+50.00

LEGEND

- 1 EXISTING PCC PAVEMENT, 10"
- 2 EXISTING BITUMINOUS CONCRETE SURFACE, VARIES
- 3 EXISTING BITUMINOUS SHOULDER, 10"
- 4 PROPOSED HOT-MIX ASPHALT SURFACE COURSE, MIX "D", N70, 2"
- 5 PROPOSED HOT-MIX ASPHALT BINDER COURSE, 13"
- 6 PROPOSED HOT-MIX ASPHALT SHOULDER, 10"
- 7 PROPOSED JPCC PAVEMENT, 10"
- 7A PROPOSED STABILIZED SUBBASE, 4 1/2"
- 8 PROPOSED PCC SHOULDER, 10" (HINGED)
- 9 PROPOSED AGGREGATE SUBGRADE, 12"
- 10 PIPE UNDERDRAINS, 4"
- (PERFORATED PVC PIPE BACKFILLED WITH FA-1 OR FA-2)
- 11 SLOTTED DRAIN
- 12 PAVED DITCH TYPE A-15

NOTE
~~CONCRETE SHOULD BE IN ALTERNATE B~~
~~SHALL BE ACCORDING TO STD. 883001.~~
~~MIN. SUBBASE GRANULAR INTERLUM~~
~~TYPE B SUBSTITUTED FOR TYPE C~~
~~ALL CONCRETE PAVEMENT SHALL BE~~
~~CLASS II.~~



rjngroup
Excellence through Ownership

200 West Front Street
Wheaton, IL 60187

DESIGNED - KSD	REVISED -
DRAWN - KSD	REVISED -
CHECKED - CMJ	REVISED -
DATE - 03-04-09	REVISED -

STATE OF ILLINOIS
DEPARTMENT OF TRANSPORTATION

I-55 OVER THE KANKAKEE RIVER
CROSSOVER TYPICAL SECTIONS

SCALE: NTS

SHEET NO. 2 OF 2 SHEETS

STA. --- TO STA. ---

F.A.J. RTE. 55	SECTION 88 (B&B-1) BR	COUNTY WILL	TOTAL SHEETS 72	SHEET NO. 6
FED. ROAD DIST. NO. 1 (ILLINOIS) FED. AID PROJECT			CONTRACT NO. 62930	