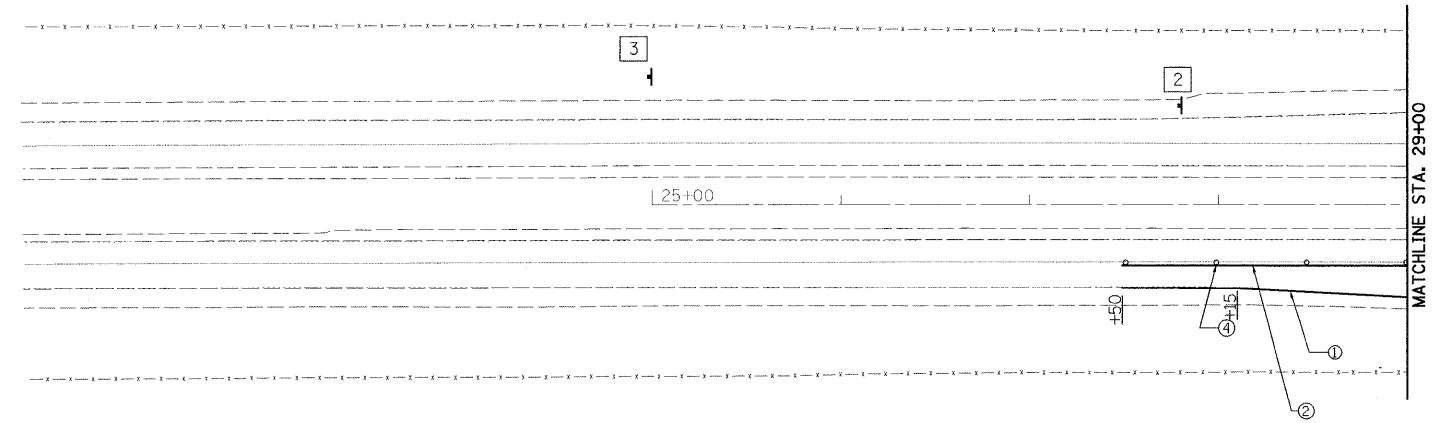
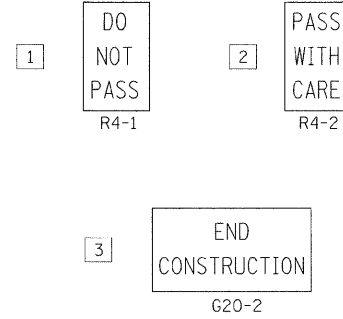




**LEGEND**

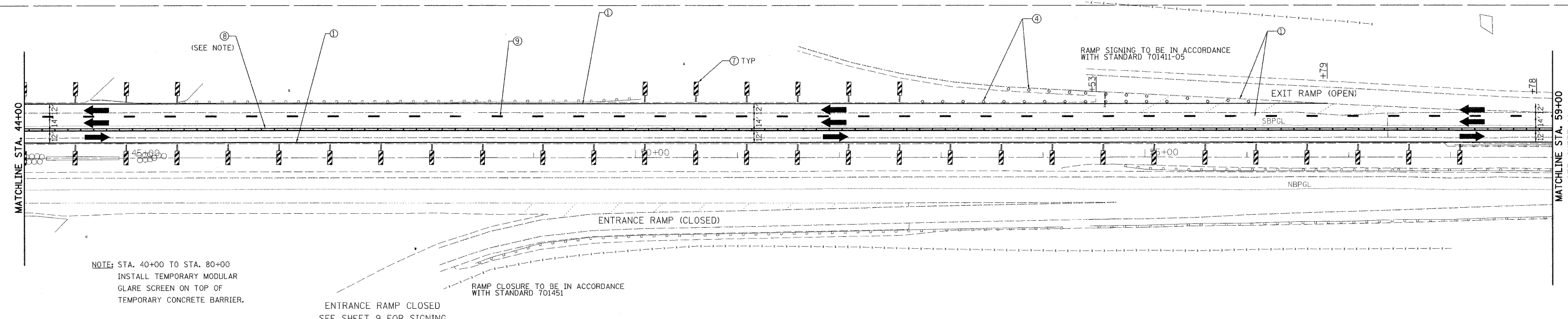
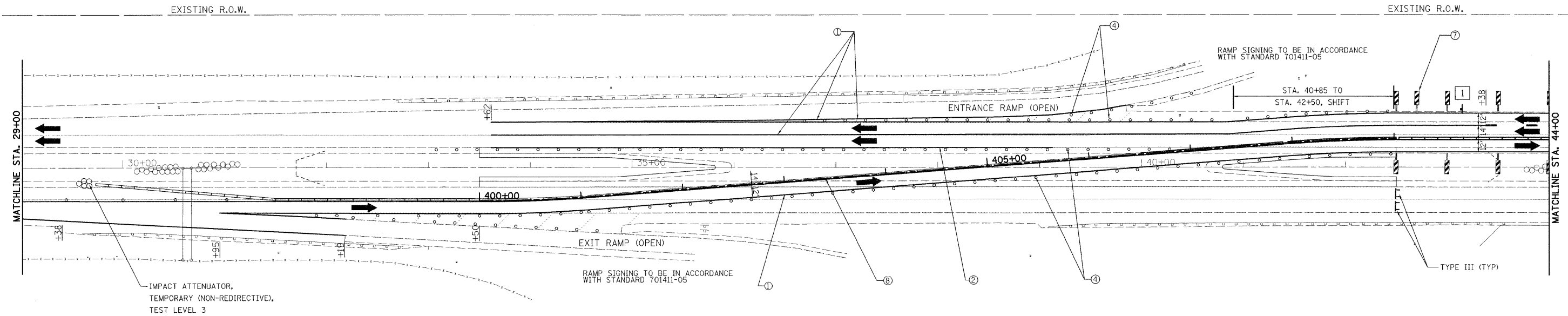
- ① WET REFLECTIVE TEMPORARY TAPE TYPE III, 4" WHITE EDGE LINE
- ② WET REFLECTIVE TEMPORARY TAPE TYPE III, 4" YELLOW EDGE LINE
- ③ NOT USED
- ④ DRUMS WITH STEADY BURNING MONODIRECTIONAL LIGHT
- ⑤ NOT USED
- ⑥ NOT USED
- ⑦ VERTICAL PANELS (BACK TO BACK)
- ⑧ TEMPORARY CONCRETE BARRIER
- ⑨ WET REFLECTIVE TEMPORARY TAPE TYPE III, 4" WHITE (10' LINE, 30' SPACE) LINE

- TEMPORARY CONCRETE BARRIER
- TEMPORARY CONCRETE BARRIER WITH MODULAR GLARE SCREEN



ADVANCED LANE CLOSURE SIGNING TO BE IN ACCORDANCE WITH STANDARD 701400-03

LANE CLOSURE TRAFFIC CONTROL (INCLUDING SIGNING) TO BE IN ACCORDANCE WITH STANDARD 701416-06



NOTE: STA. 40+00 TO STA. 80+00  
INSTALL TEMPORARY MODULAR  
GLARE SCREEN ON TOP OF  
TEMPORARY CONCRETE BARRIER.

ENTRANCE RAMP CLOSED  
SEE SHEET 9 FOR SIGNING



200 West Front Street  
Wheaton, IL 60187

DESIGNED - KSD	REVISED -
DRAWN - KSD	REVISED -
CHECKED - CMJ	REVISED -
DATE - 03-04-09	REVISED -

**STATE OF ILLINOIS  
DEPARTMENT OF TRANSPORTATION**

**IL-55 OVER THE KANKAKEE RIVER  
TRAFFIC CONTROL PLAN STAGE II**

SCALE: 1" = 50' SHEET NO. 1 OF 2 SHEETS STA. 29+00.00 TO STA. 59+00.00

F.A.I. RTE. 55	SECTION 88 (B&B-1) BR	COUNTY WILL	TOTAL SHEETS 72	SHEET NO. 13
CONTRACT NO. 62930				
FED. ROAD DIST. NO. 1 ILLINOIS FED. AID PROJECT				