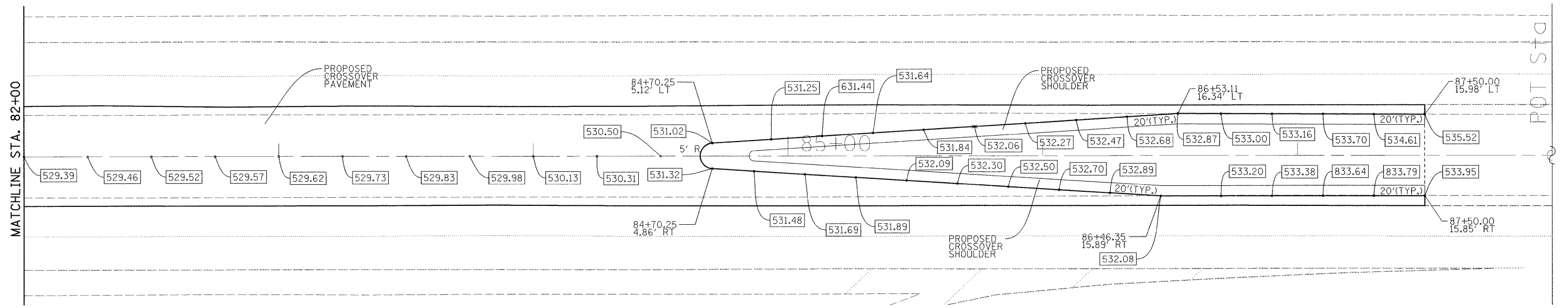


MATCHLINE STA. 82+00



MATCHLINE STA. 82+00

MATCHLINE STA. 87+50



200 West Front Street
Wheaton, IL 60187

DESIGNED - KSD	REVISED -
DRAWN - KSD	REVISED -
CHECKED - CMJ	REVISED -
DATE - 03-04-09	REVISED -

**STATE OF ILLINOIS
DEPARTMENT OF TRANSPORTATION**

**I-55 OVER THE KANKAKEE RIVER
PAVEMENT ELEVATION DETAILS - NORTH CROSSOVER**

SCALE: 1" = 20' SHEET NO. 2 OF 2 SHEETS STA. 76+00.00 TO STA. 88+00.00

F.A.I. RTE.	SECTION	COUNTY	TOTAL SHEETS	SHEET NO.
55	88 (B&B-1) BR	WILL	72	26
CONTRACT NO. 62930				
FED. ROAD DIST. NO. 1 ILLINOIS FED. AID PROJECT				