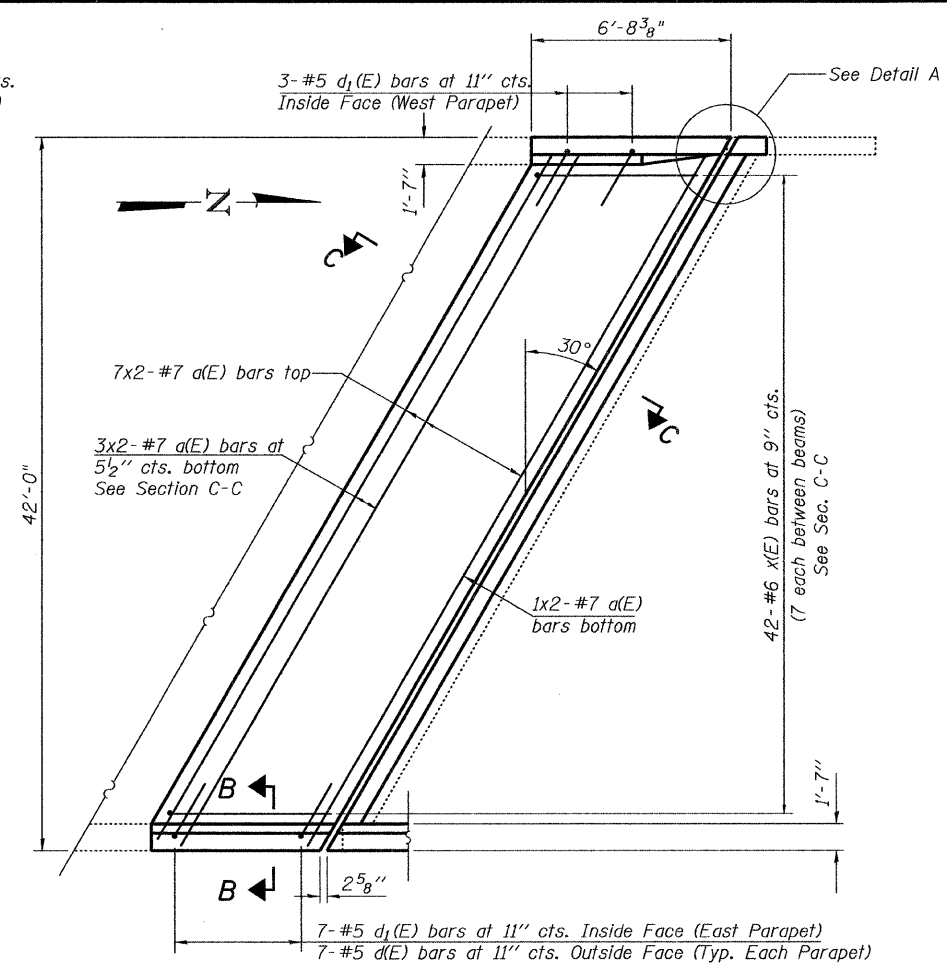
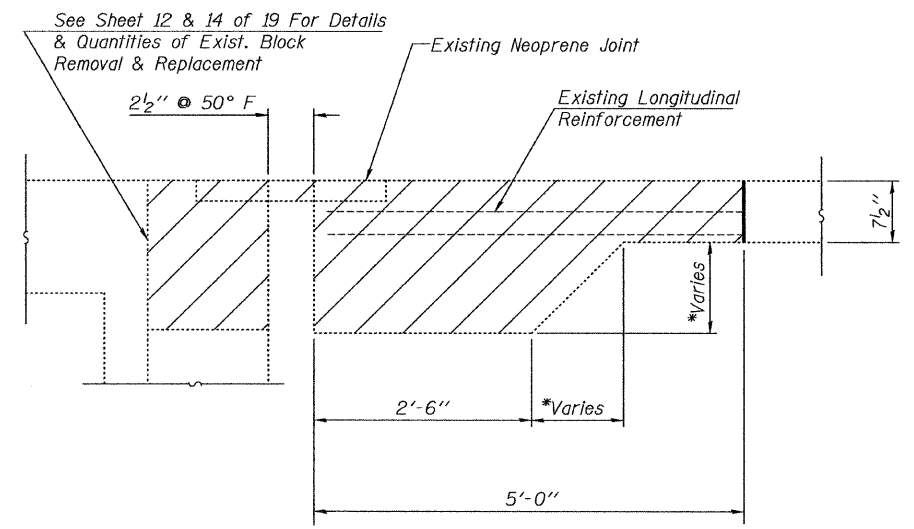


PLAN AT SOUTH ABUTMENT



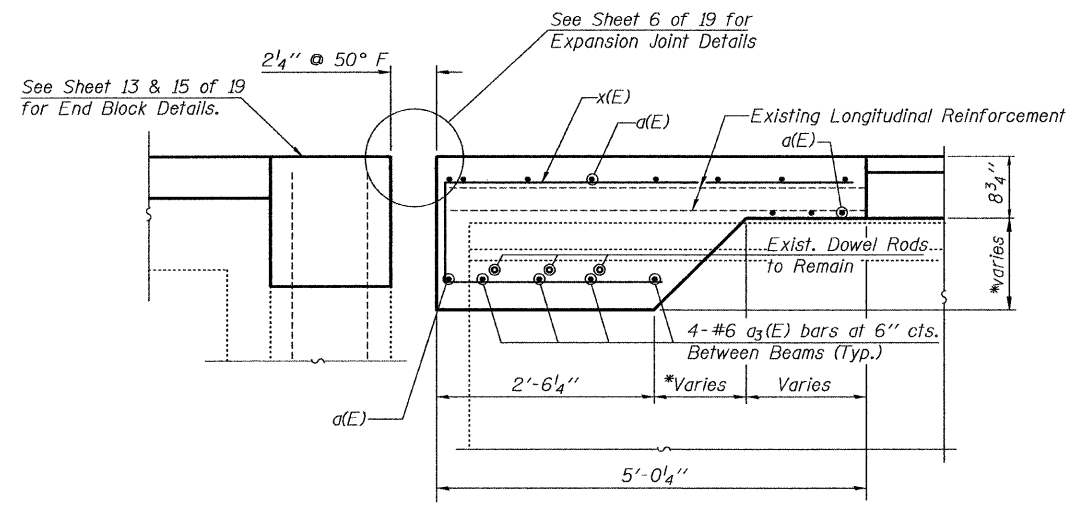
PLAN AT NORTH ABUTMENT



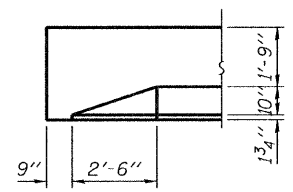
CONCRETE REMOVAL AT ABUTMENTS
(dimensions at right L's)

MIN. BAR LAP
#7 bars = 2'-9"

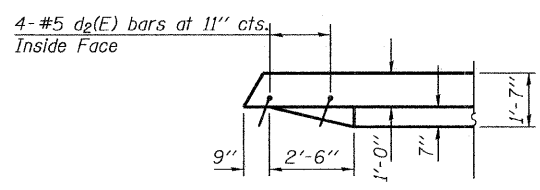
*1'-1" min. @ low beam to 1'-5 1/8" max. at high beam



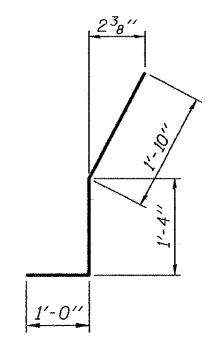
SECTION C-C



VIEW A-A



DETAIL A
(North Abutment Opposite)



BAR d2(E)

NOTES:

Existing longitudinal reinforcement and dowel rods extending into the removed areas shall be cleaned, straightened and incorporated into the new construction. Cost included with "Concrete Removal".
 Hatched areas indicate deck to be removed as "Concrete Removal". Removal of existing neoprene joint is included with "Concrete Removal".
 The parapet within the limits of the deck to be removed is also to be removed as "Concrete Removal".
 See Sheet 5 of 19 for Section B-B and d(E) and d1(E) bar details.
 Any longitudinal reinforcement bars extending into the new construction that are damaged during concrete removal shall be replaced with an approved bar splicer or anchorage system. Cost included with Concrete Removal.
 Existing transverse reinforcement extending into removed area shall be cut.

BILL OF MATERIAL
2 ABUTMENT JOINTS

Bar	No.	Size	Length	Shape
a(E)	44	#7	25'-3"	—
a3(E)	48	#6	4'-3"	—
d(E)	28	#5	5'-0"	┘
d1(E)	20	#5	3'-1"	┘
d2(E)	8	#5	4'-2"	┘
x(E)	84	#6	9'-5"	┘
Concrete Removal		Cu. Yd.	26.0	
Concrete Superstructure		Cu. Yd.	34.5	
Reinforcement Bars, Epoxy Coated		Pound	4010	

ILLINOIS DEPARTMENT OF TRANSPORTATION	
SHEET TITLE EXPANSION JOINT DETAILS ABUTMENTS	
PROJECT I-55 NB OVER KANKAKEE RIVER FAI ROUTE 55, SECTION 88(B&B-1)BR WILL COUNTY SN 099-0001	PROJECT NO. 03095-16 SCALE DATE 9/23/09 DRAWN BY TFG CHECKED BY MCB DRAWING NO. 4
COOMBE-BLOXDORF P.C. Engineers / Land Surveyors Springfield, Illinois Design Firm License No. 184-002703	
OF 19 SHTS	

PLOT DATE = 11/23/2009
 FILE NAME = ...88-099-0001-sh1-04-expansion-joint-detail-abutments.dgn
 PLOT SCALE = 5xLO000 1" / 16"
 USER NAME = CFC