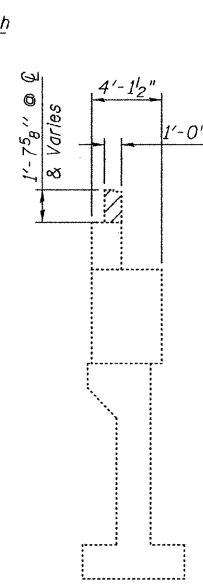
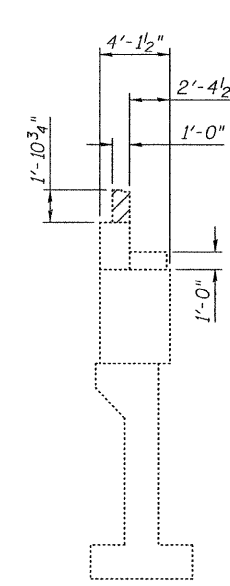


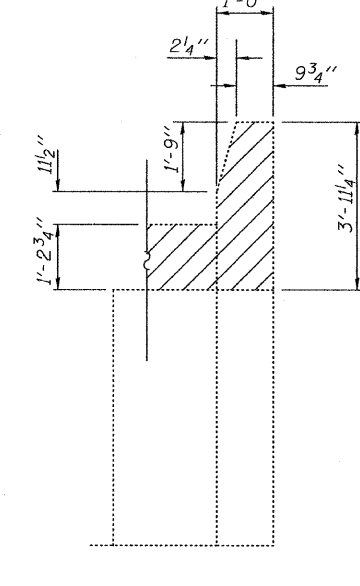
**ELEVATION**



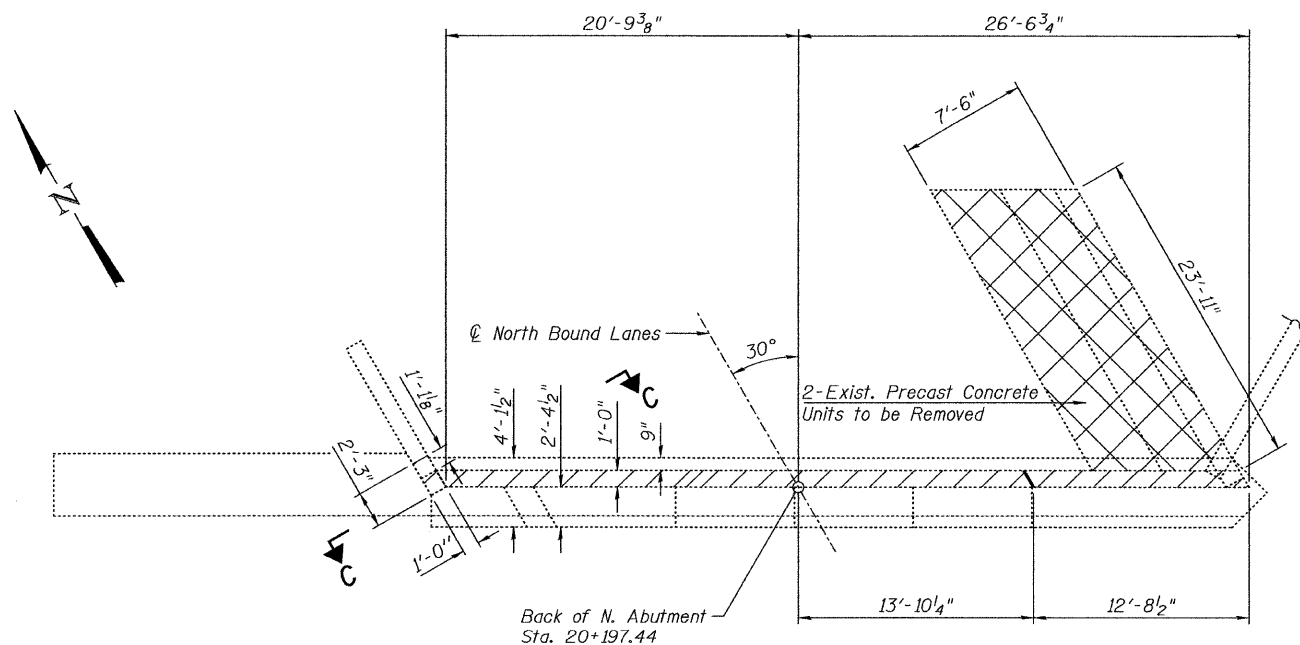
**SECTION A-A**



**SECTION B-B**



**SECTION C-C**



**PLAN**

**BILL OF MATERIAL**

Item	Unit	Total
Concrete Removal	Cu Yd	2.9
Removal of Existing Precast Concrete Units	Sq Ft	180

**NOTES:**

Hatched areas indicate Concrete Removal.  
 Cross Hatched areas indicate Removal of Existing Precast Concrete Units.  
 Existing vertical reinforcement extending into the New Construction shall be cleaned, straightened and incorporated into the new construction and existing horizontal reinforcement at the west wingwall extending into the new construction shall be cleaned, straightened and incorporated into the new construction. See Sheet 15 of 19. Cost included with Concrete Removal.  
 Any reinforcement bars extending into the new construction that are damaged during Concrete Removal shall be replaced with an approved bar splicer or anchorage system. Cost included with Concrete Removal.  
 Existing reinforcement not extending into areas of new construction shall be cut at the removal line and removed. Exposed portion will be cleaned and coated with a layer of epoxy. Cost included with Concrete Removal.

ILLINOIS DEPARTMENT OF TRANSPORTATION	
SHEET TITLE NORTH ABUTMENT CONCRETE REMOVAL	
PROJECT I-55 SB OVER KANKAKEE RIVER FAI ROUTE 55, SECTION 88(B&B-1)BR WILL COUNTY SN 099-0001	PROJECT NO. 03095-16 SCALE DATE 9/23/09 DRAWN BY TFC/CFC CHECKED BY MCB DRAWING NO. 14
COOMBE-BLOXDORF P.C. Engineers / Land Surveyors Springfield, Illinois Design Firm License No. 184-002703	
OF 19 SHTS	