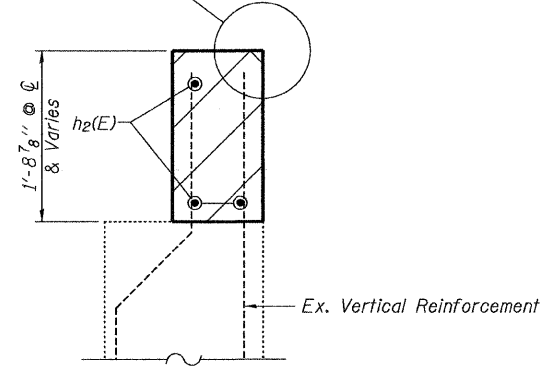


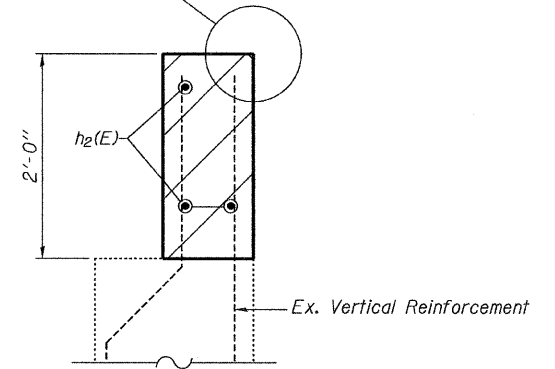
ELEVATION

See Sheet 6 of 19 for Exp JT Details

See Sheet 6 of 19 for Exp JT Details



SECTION A-A

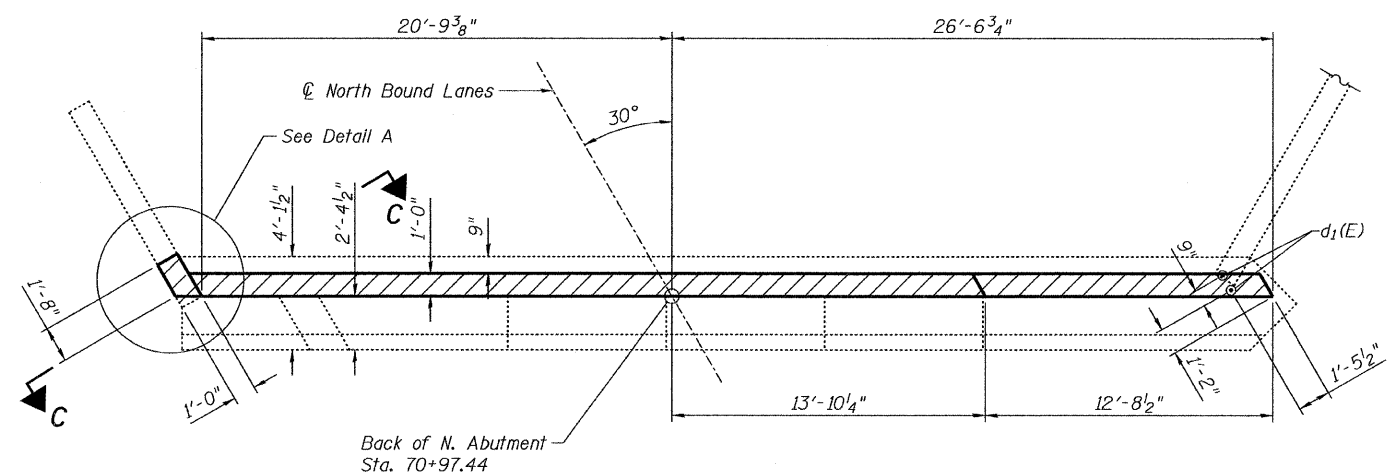


SECTION B-B

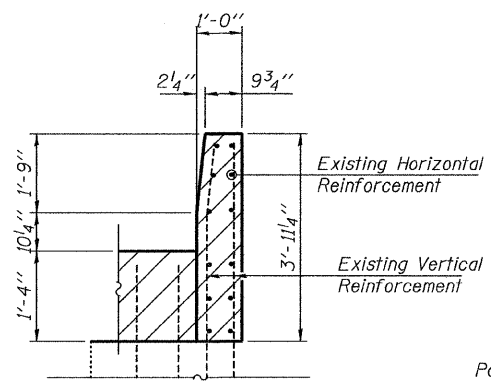
MIN. BAR LAP
#6 bar = 2'-7"

BILL OF MATERIAL

Bar	No.	Size	Length	Shape
h ₂ (E)	6	#6	25'-5"	
Reinforcement Bars, Epoxy Coated			Pound	230



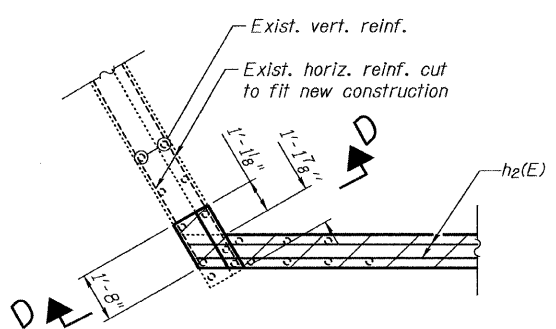
PLAN



SECTION C-C

NOTES:

Pour hatched area after proposed deck is in place. Match top of hatched area to top of deck. Quantity included with Concrete Superstructure Sheet 4 of 19.
Bars Indicated thus 3x2-#6 h₂(E) indicates 3 lines of bars with 2 lengths per line.



DETAIL A

PLOT DATE = 11/23/2009
FILE NAME = \\ben-099-0001-ent-15-north-abut-detailed.dgn
PLOT SCALE = 400.0000 1/1 / IN.
USER NAME = CFC

ILLINOIS DEPARTMENT OF TRANSPORTATION	
SHEET TITLE	
NORTH ABUTMENT DETAILS	
PROJECT	PROJECT NO.
I-55 NB OVER KANKAKEE RIVER	03095-16
FAI ROUTE 55, SECTION BB(B&B-1)BR	DATE
WILL COUNTY	9/23/09
SN 099-0001	DRAWN BY
	TFG/CFC
	CHECKED BY
	MCB
DRAWING NO.	
COOMBE-BLOXDORF P.C.	15
Engineers / Land Surveyors	OF 19 SHTS
Springfield, Illinois	
Design Firm License No. 184-002703	