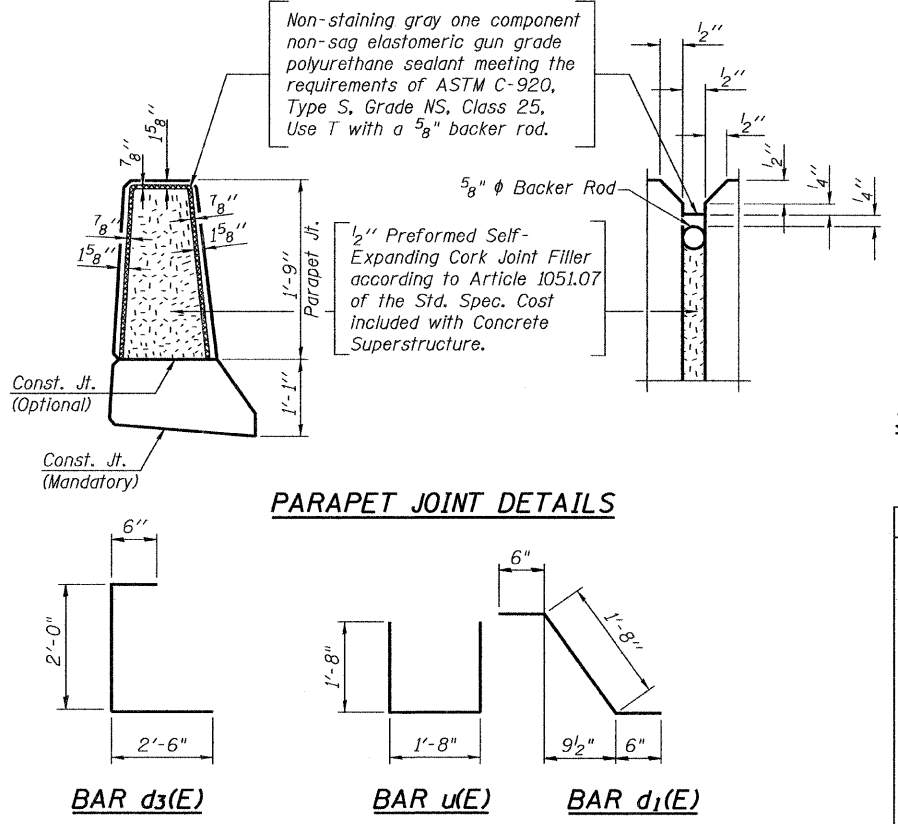
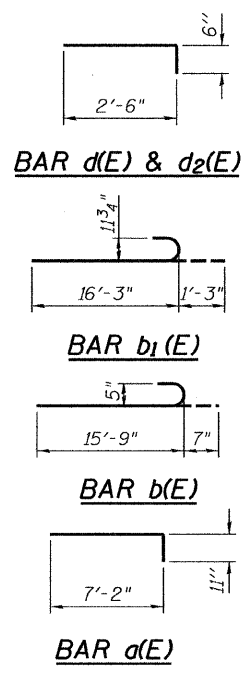
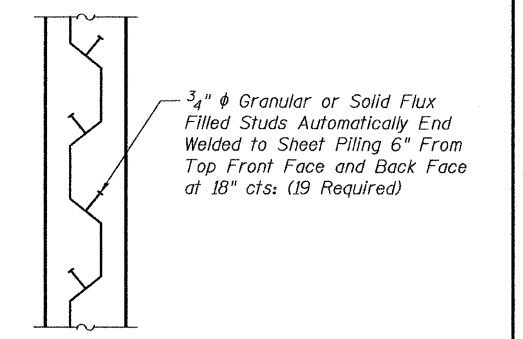


SECTION THRU PARAPET ABOVE STEEL SHEET PILE WALL



PARAPET JOINT DETAILS



SECTION A-A MIN BAR LAPS

BILL OF MATERIAL

Bar	No.	Size	Length	Shape
a(E)	8	#5	8'-1"	—
a1(E)	28	#5	7'-2"	—
b(E)	16	#5	16'-4"	—
b1(E)	30	#9	17'-6"	—
d(E)	31	#5	3'-0"	—
d1(E)	32	#5	2'-8"	—
d2(E)	31	#4	3'-0"	—
d3(E)	32	#4	5'-0"	—
e(E)	12	#4	14'-4"	—
e1(E)	2	#8	28'-0"	—
e2(E)	2	#5	28'-0"	—
h(E)	12	#5	15'-3"	—
h1(E)	3	#5	7'-8"	—
u(E)	27	#5	5'-0"	—
v(E)	7	#5	5'-8"	—
Concrete Structures			Cu. Yd.	17.3
Reinforcement Bars, Epoxy Coated			Pound	3400
Structure Excavation			Cu. Yd.	10
Permanent Steel Sheet Piling			Sq. Ft.	468
Stud Shear Connectors			Each	19
Protective Coat			Sq. Yd.	12

Bars Indicated Thus 3x2-#5 etc Indicates 3 Lines of Bars with 2 Lengths Per Line.

ILLINOIS DEPARTMENT OF TRANSPORTATION

SHEET TITLE
NORTH ABUTMENT WINGWALL DETAILS

PROJECT I-55 NB OVER KANKAKEE RIVER FAI ROUTE 55, SECTION 88(B&B-1)BR WILL COUNTY SN 099-0001	PROJECT NO. 03095-16 SCALE DATE 9/23/09 DRAWN BY TFG/CFC CHECKED BY MCB DRAWING NO.
---	--

COOMBE-BLOXDORF P.C.
Engineers / Land Surveyors
Springfield, Illinois
Design Firm License No. 184-002703

16
OF 19 SHTS

PLOT DATE = 11/23/2009
FILE NAME = \\srm-099-0001-shr-16-north-abut-wingwall-det.dgn
PLOT SCALE = 240.0000 1/1 IN.
USER NAME = CFC