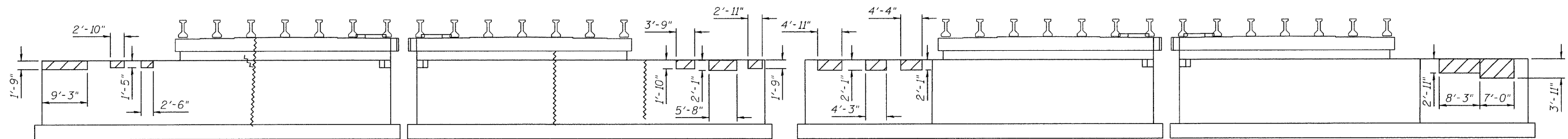


NORTH ABUTMENT
(LOOKING NORTH)

SOUTH ABUTMENT
(LOOKING SOUTH)

PIER 1
ELEVATION, SOUTH FACE
(LOOKING NORTH)

PIER 1
ELEVATION, NORTH FACE
(LOOKING SOUTH)

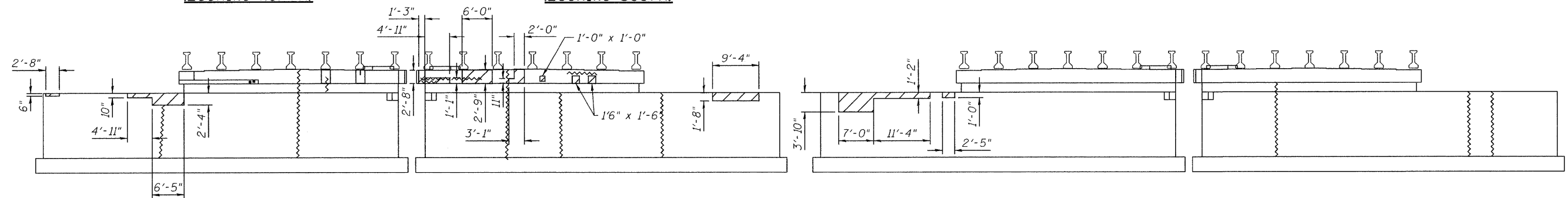


PIER 2
ELEVATION, SOUTH FACE
(LOOKING NORTH)

PIER 2
ELEVATION, NORTH FACE
(LOOKING SOUTH)

PIER 3
ELEVATION, SOUTH FACE
(LOOKING NORTH)

PIER 3
ELEVATION, NORTH FACE
(LOOKING SOUTH)



PIER 4
ELEVATION, SOUTH FACE
(LOOKING NORTH)

PIER 4
ELEVATION, NORTH FACE
(LOOKING SOUTH)

PIER 5
ELEVATION, SOUTH FACE
(LOOKING NORTH)

PIER 5
ELEVATION, NORTH FACE
(LOOKING SOUTH)

LEGEND

- Epoxy Crack Injection
- Structural Repair of Concrete
(Depth Equal to or Less Than 5")
- Structural Repair of Concrete
(Depth greater Than 5")

Note:
Quantities are Included in Bill of Material on Sheet 18 of 19

PLOT DATE : 6/25/2009
PLOT SCALE : 2/11/2004 1" = 1/4"
USER NAME : JML

ILLINOIS DEPARTMENT OF TRANSPORTATION	
SHEET TITLE ABUTMENT & PIER REPAIR DETAILS	
PROJECT I-55 NB OVER KANKAKEE RIVER FAI ROUTE 55, SECTION 88(B&B-1)BR WILL COUNTY SN 099-0001	PROJECT NO. 03095-16 SCALE DATE 06/25/09 DRAWN BY CFC CHECKED BY MCB/KPS DRAWING NO. 17
COOMBE-BLOXDORF P.C. Engineers / Land Surveyors Springfield, Illinois Design Firm License No. 184-002703	
OF 19 SHTS	