

Joint Size	"C" at 50°F	"D" at 50°F
2"	2"	1 1/2" Min.
2 1/2"	2 1/2"	1 3/4" Min.
4"	3"	2 1/2" Min.

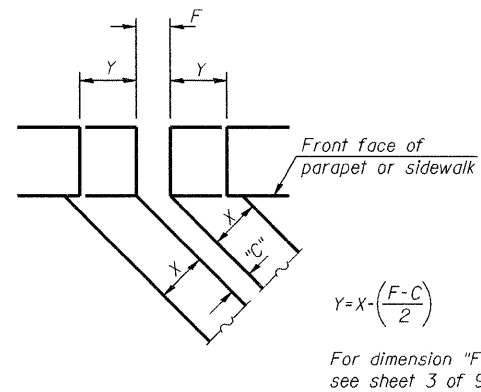
INSTALLATION NOTES

1. Install continuous seal in roadway, parapet, curb, and sidewalk.
2. Install anchor blocks as indicated.

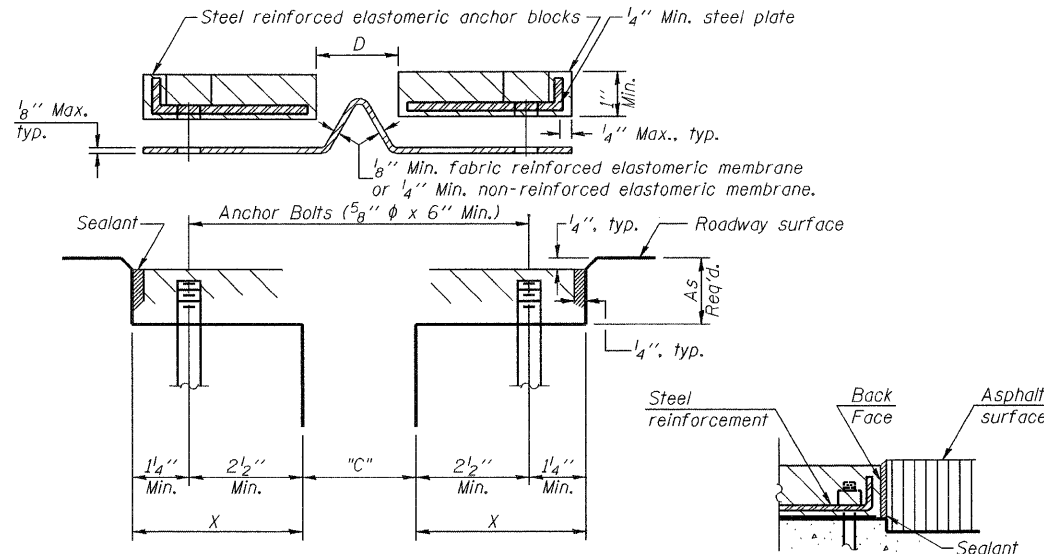
Note A:
Maximum spacing of anchor bolts shall be 12" centers.

SKREW LIMITATIONS

The details of the anchor blocks and the elastomeric membrane in the parapet, as shown, are for up to 50° skews. For skews greater than 50°, the anchor blocks and the elastomeric membrane, installed according to dimension "D", might require modifications to insure a minimum clearance of 1/2" from centerline of anchor studs to edge of parapet opening. The anchor blocks and the elastomeric membrane shall also be installed to the top of the parapet with the anchor studs spaced at ±12" cts.



FORMING BLOCKOUT SKETCH

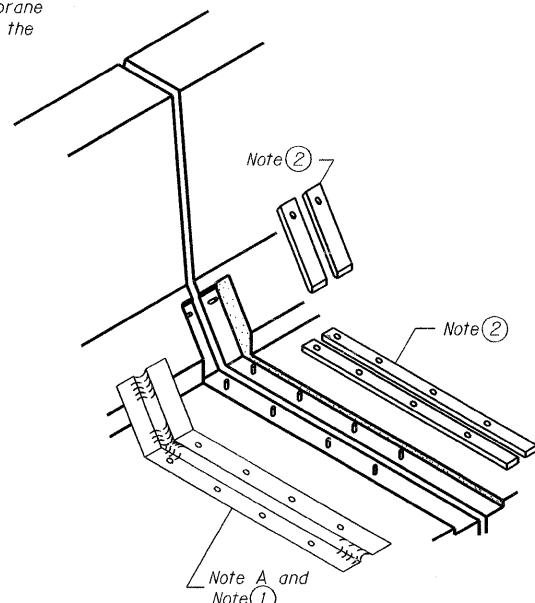


CROSS SECTION

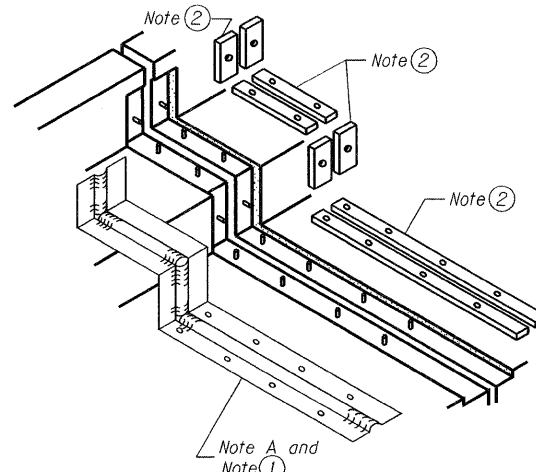
ANCHOR BLOCK WITH ASPHALT SURFACE

GENERAL NOTES

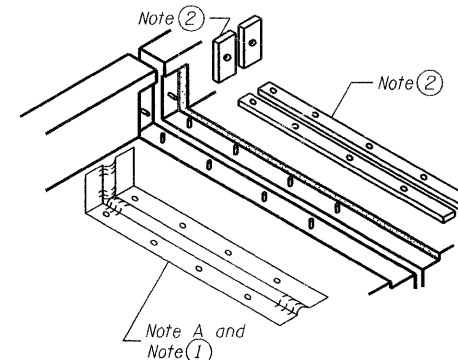
Continuous Seal Neoprene Expansion Joint shall consist of molded anchor blocks of elastomer and steel, field assembled over continuous lengths of elastomeric membrane. The elastomeric membrane shall be premolded with a single or a double upward convolution that will have a "memory" to return to its molded position upon joint closure. The convolution length shall be such that the extended length will not be greater than the manufactured length when the joint is fully expanded in its design range and will not protrude above the anchor blocks when the joint is fully compressed. Joint openings shall be adjusted according to Article 503.10(c) of the Standard Specifications when the deck is poured at an ambient temperature other than 50° F. The parapet and roadway membrane shall be made continuous by an approved vulcanizing process. Lapping will not be permitted.



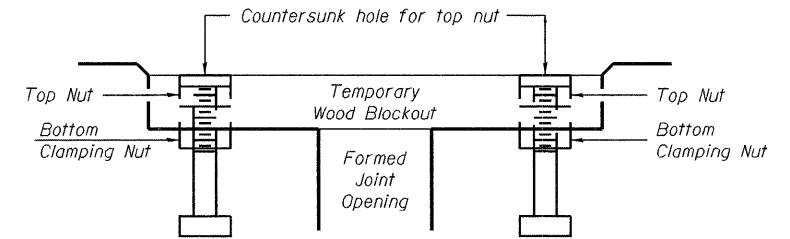
AT PARAPET



AT SIDEWALK OR MEDIAN



AT WALL



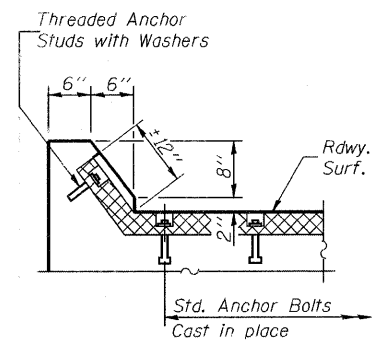
Note:
Stud needs to be threaded lower to allow for use of clamping nut.

Anchor studs should be stainless

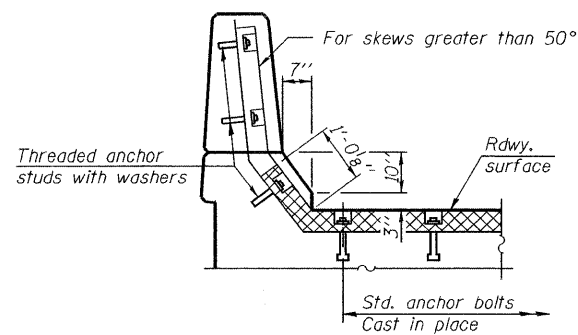
RECOMMENDED BLOCKOUT DETAIL

BILL OF MATERIAL

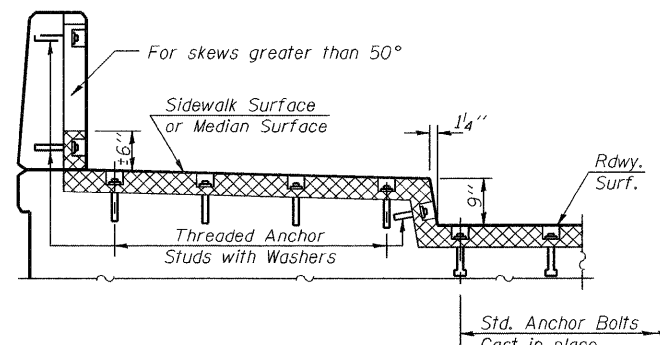
Item	Unit	Total
Neoprene Expansion Joint 2 1/2"	foot	97
Neoprene Expansion Joint 4"	foot	97



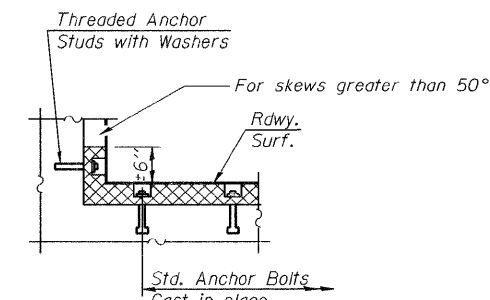
AT CURB



AT PARAPET



AT SIDEWALK OR MEDIAN TYPICAL END TREATMENTS



AT WALL

ILLINOIS DEPARTMENT OF TRANSPORTATION

SHEET TITLE
CONTINUOUS SEAL TYPE NEOPRENE EXPANSION JOINTS

PROJECT
I-55 SB OVER KANKAKEE RIVER
FAI ROUTE 55, SECTION 88(B&B-1)BR
WILL COUNTY
SN C99-0002

PROJECT NO. 03095-16
SCALE
DATE 06/25/09
DRAWN BY CFC
CHECKED BY MCB/KPS
DRAWING NO.

COOMBE-BLOXDORF P.C.
Engineers / Land Surveyors
Springfield, Illinois
Design Firm License No. 184-002703

4
OF 9 SHTS

PLOT DATE = 6/25/2009
 PLOT SCALE = 1/8" = 1'-0"
 USER NAME = JML