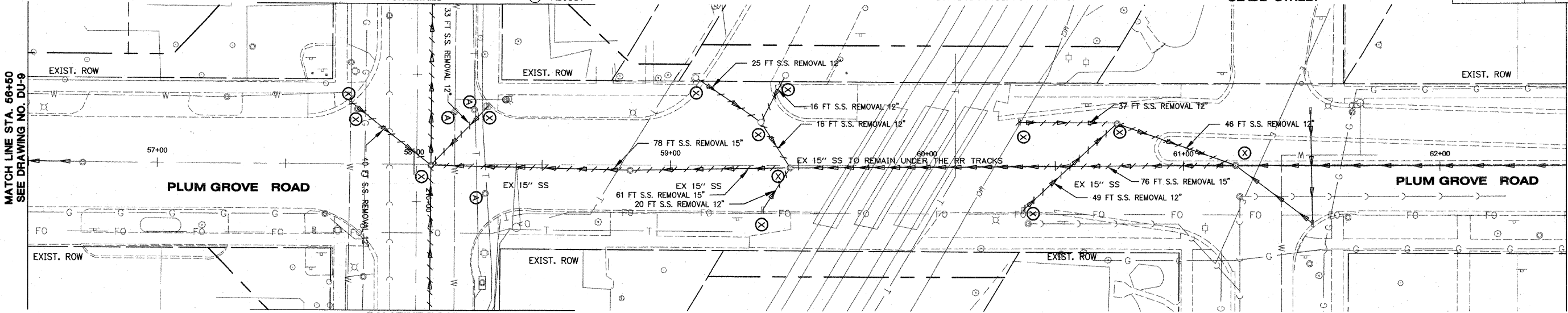


**LEGEND**

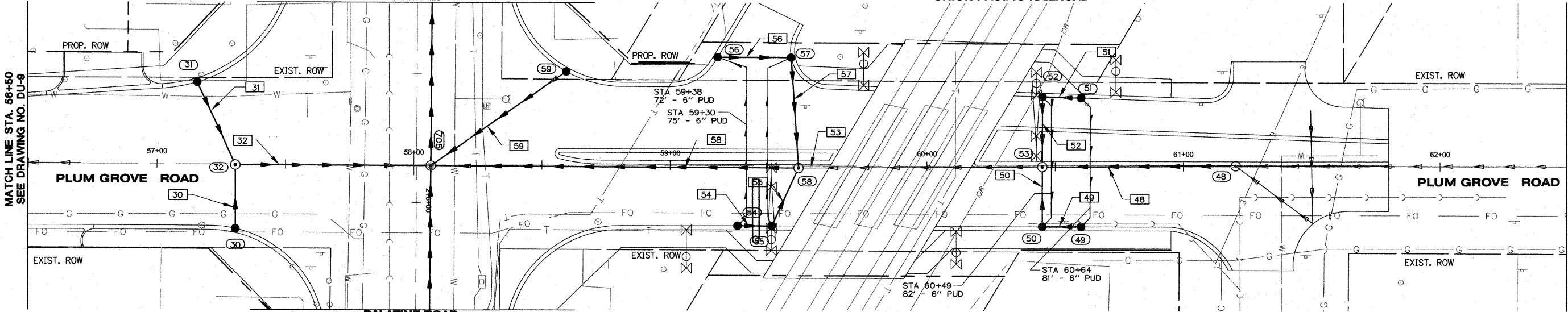
- EXISTING STORM SEWER
- STORM SEWER REMOVAL
- PROPOSED STORM SEWER

- PROPOSED MANHOLE
- PROPOSED CATCH BASIN
- REMOVE
- ADJUST
- ABANDON
- PROPOSED STORM SEWER (SEE DU-11 FOR SCHEDULE)
- PROPOSED DRAINAGE STRUCTURE (SEE DU-11 FOR SCHEDULE)

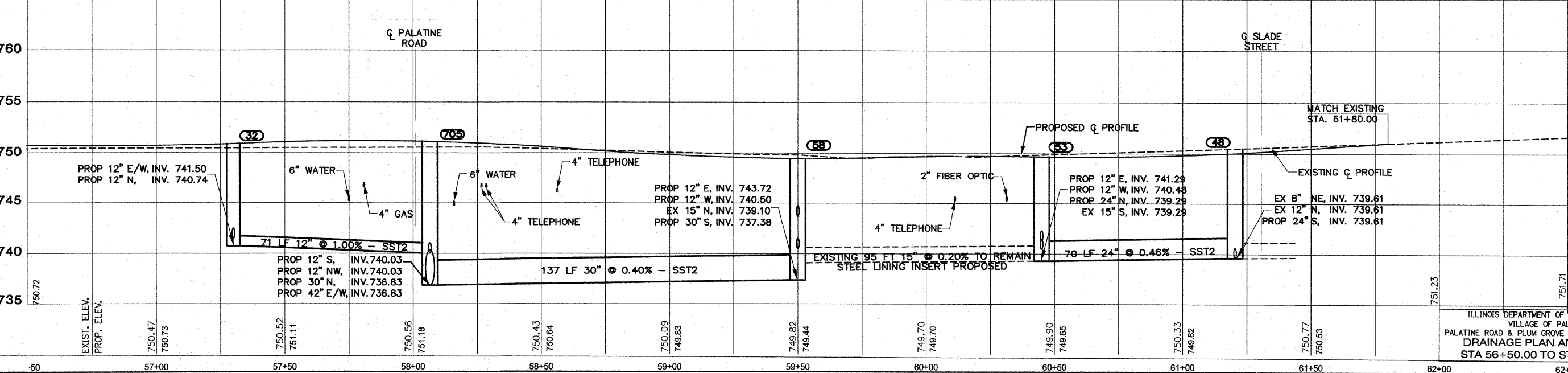
CONTRACT NO. 63083		F.A.P. RTE.	SECTION	COUNTY	TOTAL SHEETS	SHEET NO.
		1285	02-00075-00-PV	COOK	161	52
STA. _____ TO STA. _____		FED. ROAD DIST. NO. - ILLINOIS FED. AID PROJECT				



**EXISTING DRAINAGE PLAN**



**PROPOSED DRAINAGE PLAN**



SCALE: HORIZ: 1"=20'  
VERT: 1"=5'

ILLINOIS DEPARTMENT OF TRANSPORTATION  
VILLAGE OF PALATINE  
PALATINE ROAD & PLUM GROVE ROAD RECONSTRUCTION  
DRAINAGE PLAN AND PROFILE  
STA 56+50.00 TO STA 61+20.49

DATE: \_\_\_\_\_ BY: \_\_\_\_\_  
PLAN: \_\_\_\_\_  
SUBMITTED: \_\_\_\_\_  
NOTED: \_\_\_\_\_  
CHECKED: \_\_\_\_\_  
DATE: \_\_\_\_\_

DATE: \_\_\_\_\_ BY: \_\_\_\_\_  
PROFILE: \_\_\_\_\_  
SUBMITTED: \_\_\_\_\_  
NOTED: \_\_\_\_\_  
CHECKED: \_\_\_\_\_  
DATE: \_\_\_\_\_