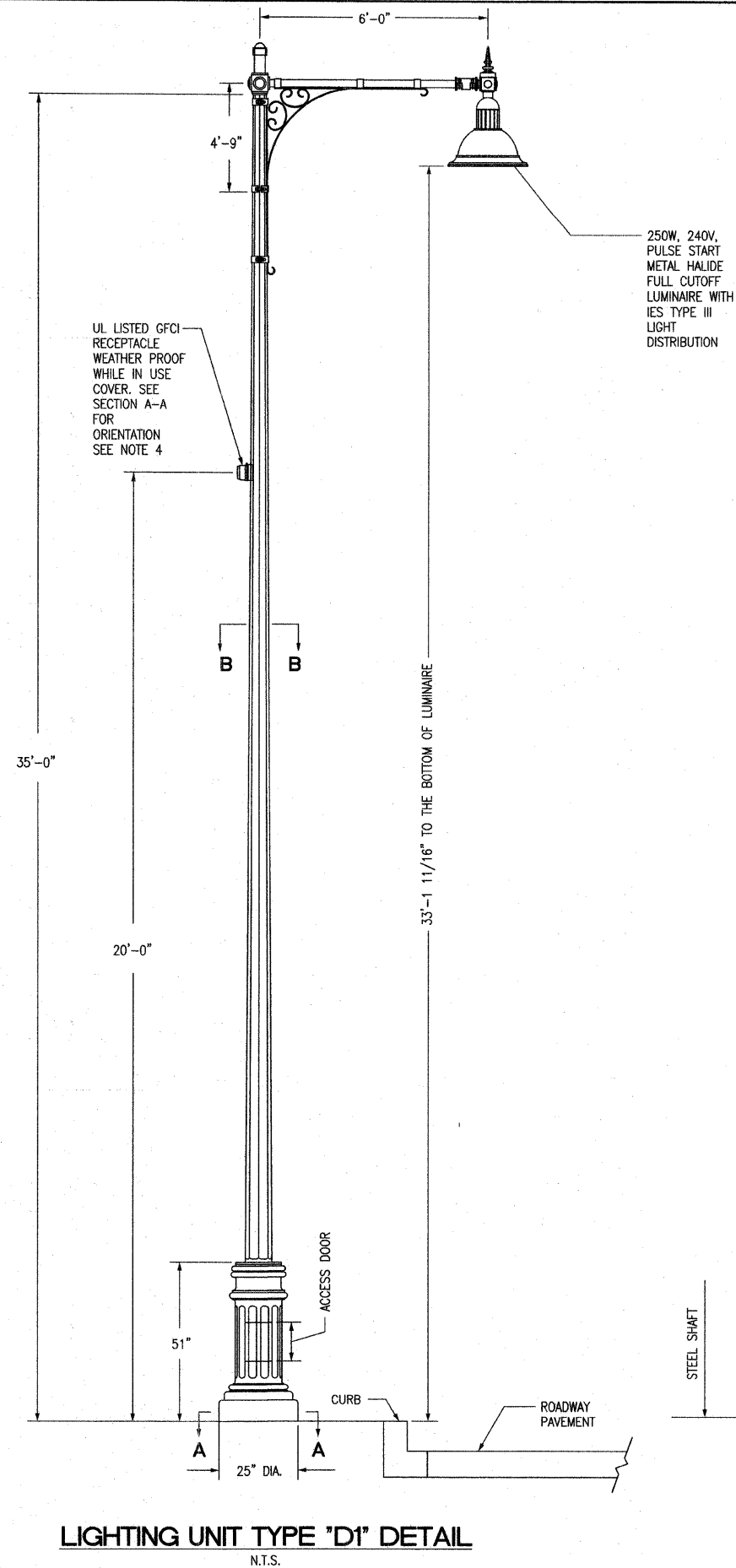


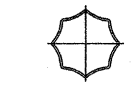
F.A.P. RTE.	SECTION	COUNTY	TOTAL SHEETS	SHEET NO.
1285	02-00075-00-PV	COOK	161	108
STA. _____		TO STA. _____		
FED. ROAD DIST. NO. _____		ILLINOIS FED. AID PROJECT		
CONTRACT NO. 63083				



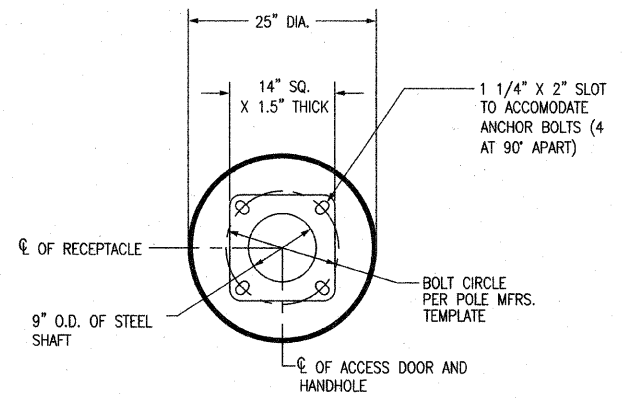
LIGHTING UNIT TYPE "D1" DETAIL
N.T.S.

NOTES:

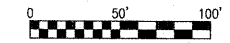
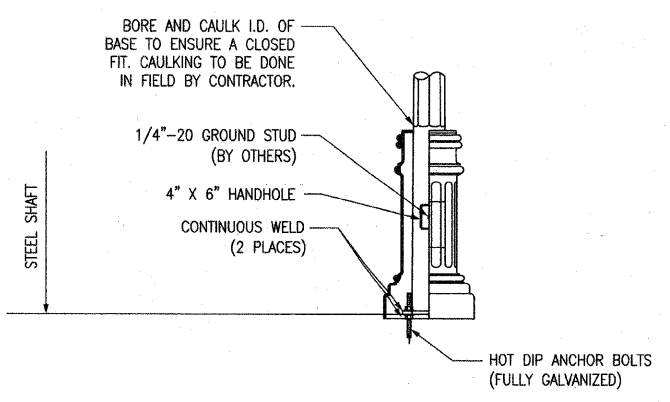
1. LIGHTING UNIT TYPE "D2" SHALL BE SIMILAR TO LIGHTING UNIT TYPE "D1" EXCEPT THE LUMINAIRE DISTRIBUTION TYPE AS INDICATED ON SYMBOL LIST ON RAWING RL-1.
2. LIGHTING UNIT TYPE "D3" SHALL BE SIMILAR TO LIGHTING UNIT TYPE "D1" EXCEPT THE ASSEMBLY SHALL HAVE TWO LUMINAIRES WITH 6'-0" CROSS ARMS MOUNTED AT 90° AS INDICATED ON THE SYMBOL LIST ON DRAWING RL-1.
3. FOR LIGHT POLE FOUNDATION DETAILS, REFER TO DRAWING RL-8.
4. GFCI RECEPTACLE WEATHERPROOF COVER SHALL CONFORM TO NEC ARTICLE 406.8B.1.



SECTION B-B
8 SHARP FLUTE
7 GAUGE STEEL
.14" TAPER PER FT
N.T.S.



SECTION A-A
N.T.S.



McDonough Associates Inc.
Engineers/Architects

REVISIONS	
NAME	DATE

ILLINOIS DEPARTMENT OF TRANSPORTATION
VILLAGE OF PALATINE
PALATINE ROAD & PLUM GROVE ROAD RECONSTRUCTION
SMITH STREET TO US 14 (NORTHWEST HIGHWAY)

LIGHTING UNIT DETAIL

SCALE: VERT. _____
HORIZ. NONE

DATE: OCTOBER 19, 2009

DRAWN BY: RRA
CHECKED BY: KMY

RL-7