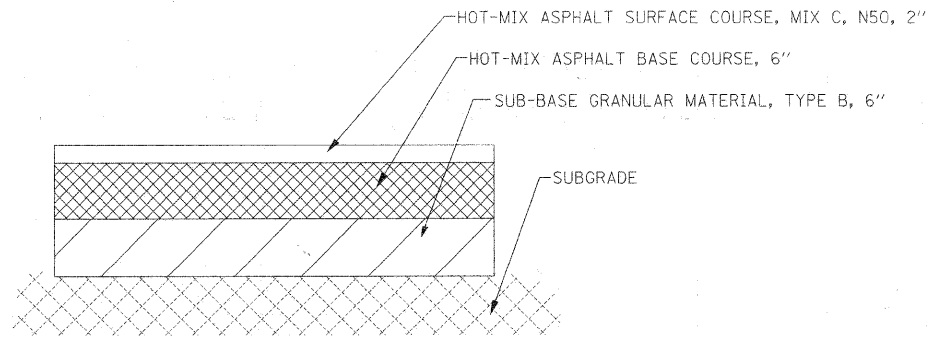


DATE	
BY	
REVISIONS	
NO.	
DATE	
BY	
REVISIONS	
NO.	
DATE	
BY	
REVISIONS	
NO.	
DATE	
BY	
REVISIONS	
NO.	
DATE	
BY	
REVISIONS	
NO.	

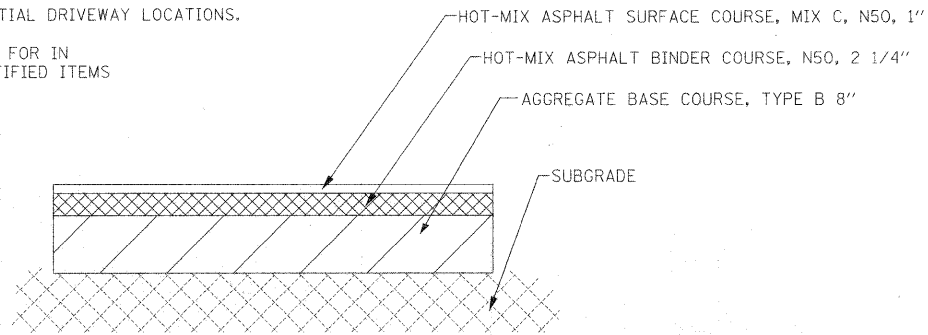
DATE	
BY	
REVISIONS	
NO.	
DATE	
BY	
REVISIONS	
NO.	
DATE	
BY	
REVISIONS	
NO.	
DATE	
BY	
REVISIONS	
NO.	
DATE	
BY	
REVISIONS	
NO.	



**RESIDENTIAL DRIVEWAY DETAIL FOR
HOT-MIX ASPHALT DRIVEWAY PAVEMENT
(VILLAGE OF GLEN ELLYN)**

REFER TO ROADWAY PLANS FOR RESIDENTIAL DRIVEWAY LOCATIONS.

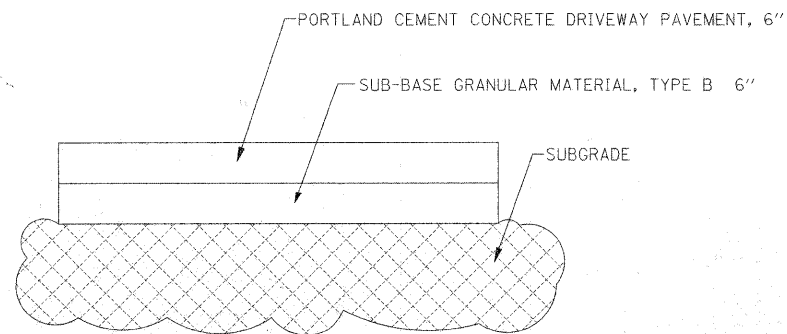
HMA DRIVEWAYS PAID FOR IN
QUANTITIES OF THE IDENTIFIED ITEMS



**RESIDENTIAL DRIVEWAY DETAIL FOR
HOT-MIX ASPHALT DRIVEWAY PAVEMENT
(DUPAGE COUNTY)**

REFER TO ROADWAY PLANS FOR RESIDENTIAL DRIVEWAY LOCATIONS.

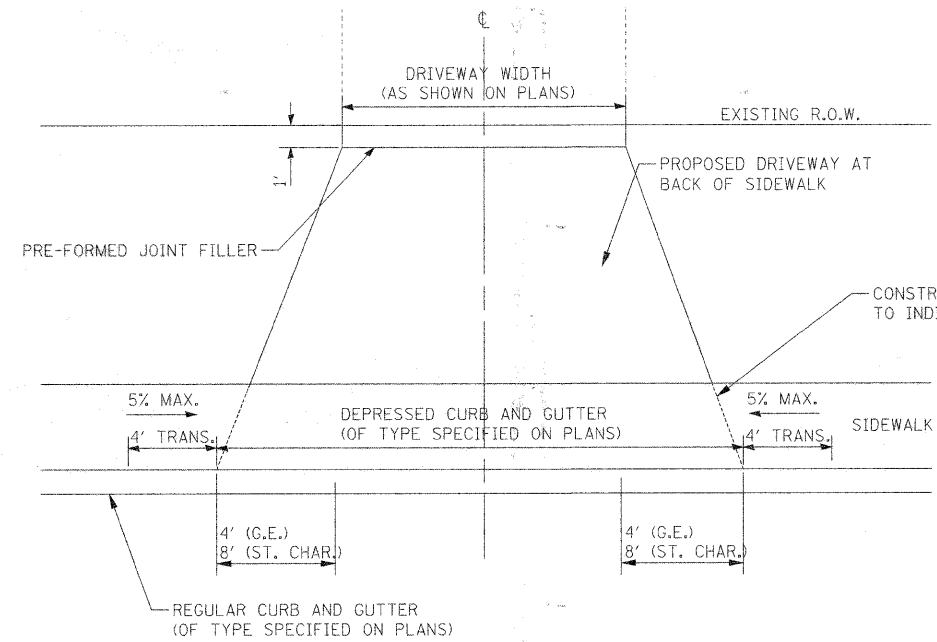
HMA DRIVEWAYS PAID FOR IN
QUANTITIES OF THE IDENTIFIED ITEMS



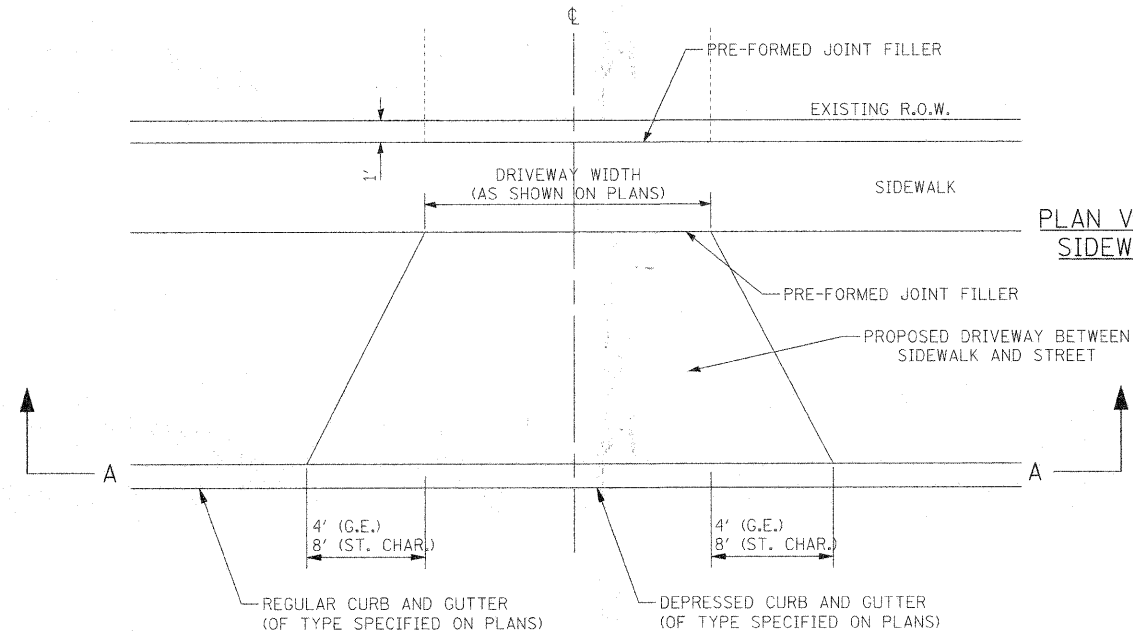
**RESIDENTIAL DRIVEWAY DETAIL FOR
PORTLAND CEMENT CONCRETE DRIVEWAY PAVEMENT, 6"**

REFER TO ROADWAY PLANS FOR PCC RESIDENTIAL DRIVEWAY LOCATIONS.

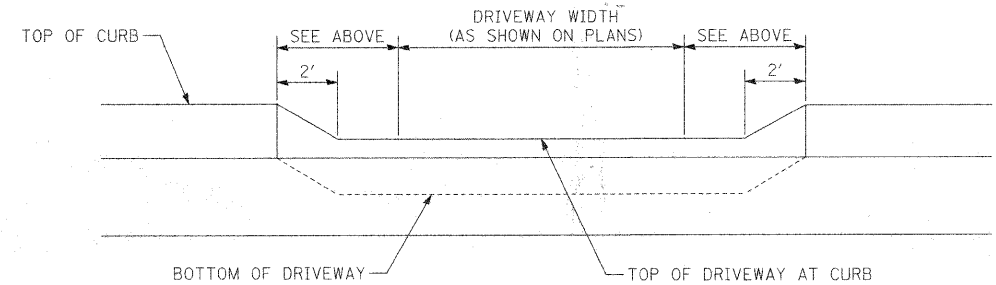
PCC DRIVEWAYS PAID FOR AS:
PORTLAND CEMENT CONCRETE DRIVEWAY PAVEMENT, 6"



**PLAN VIEW - RESIDENTIAL DRIVEWAY
SIDEWALK ADJACENT TO
CURB AND GUTTER**



**PLAN VIEW - RESIDENTIAL DRIVEWAY
SIDEWALK ADJACENT TO ROW LINE**



SECTION A-A

RESIDENTIAL DRIVEWAY DETAILS

NOTES

"G.E." IN LABELS ABOVE REFERS TO GLEN ELLYN STREETS -- RIFORD ROAD, CRESCENT BOULEVARD.

PRE-FORMED JOINT FILLER WILL NOT BE PAID FOR SEPARATELY, BUT WILL BE INCLUDED IN THE COST OF PORTLAND CEMENT DRIVEWAY PAVEMENT.

CURB AND GUTTER TRANSITIONS SHALL BE PAID FOR AS THE ADJACENT SECTION OF CURB AND GUTTER.

FILE NAME =	USER NAME = #USER#	DESIGNED - JMT	REVISED -
#FILE#		DRAWN - JMT	REVISED -
	PLOT SCALE = #SCALE#	CHECKED - MAP	REVISED -
	PLOT DATE = #DATE#	DATE - 12/01/2009	REVISED -

**STATE OF ILLINOIS
DEPARTMENT OF TRANSPORTATION**

MISCELLANEOUS ROADWAY DETAILS

SCALE: N.T.S. SHEET NO. 2 OF 3 SHEETS STA. TO STA.

F.A.U. RTE.	SECTION	COUNTY	TOTAL SHEETS	SHEET NO.
2145	05-00068-00-FP	DUPAGE	141	45
RIFORD ROAD RECONSTRUCTION		CONTRACT NO. 63092		
FED. ROAD DIST. NO. 1 ILLINOIS FED. AID PROJECT				