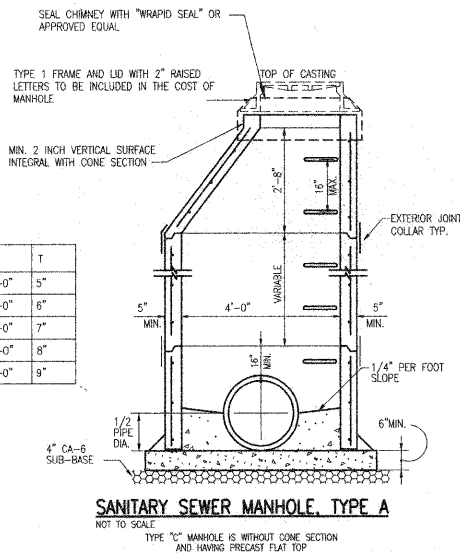


DATE	
BY	
PLAN	
SURVEYED	
PLOTTED	
NOTED	
FILED	
NO.	

DATE	
BY	
PROFILE	
SURVEYED	
PLOTTED	
NOTED	
FILED	
NO.	

NOTES:

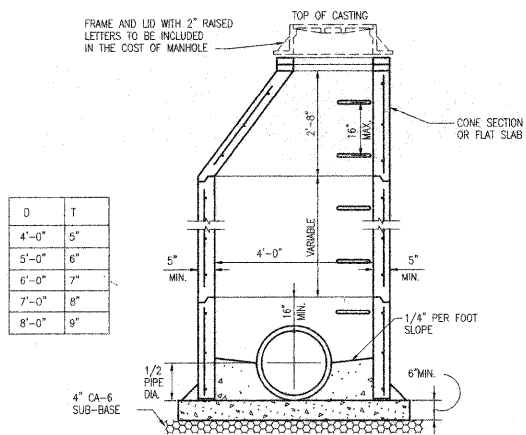
1. PRECAST-REINFORCED CONCRETE RISER RINGS AND CONES SHALL COMPLY WITH TEST STRENGTH - A.S.T.M. C-39. ADJUSTMENT RINGS SHALL NOT EXCEED 8" IN HEIGHT.
2. MINIMUM WALL THICKNESS SHALL BE 5" AND MINIMUM CIRCULAR REINFORCEMENT SHALL BE 0.18 SQUARE INCH PER FOOT.
3. THE BOTTOM MAY BE EITHER PRECAST WITH INVERTS AS INTEGRAL PART OR CAST IN PLACE WITH CLASS "SI" CONCRETE.
4. MANHOLE WALL THICKNESS "T" SHALL BE AS SHOWN IN THE LIST BELOW.
5. ALL STEPS SHALL BE CAST IRON AND CONFORM WITH NEENAH STANDARDS R-1981-1 OR APPROVED EQUAL.
6. ALL JOINTS BETWEEN PRE-CAST ELEMENTS, ADJUSTING RINGS AND MANHOLE FRAMES ON ALL UNDERGROUND STRUCTURES, SHALL BE SET IN PLACE WITH ONE OF THE FOLLOWING BUTYL RUBBER JOINT SEALANTS WITH A MINIMUM CROSS SECTIONAL AREA OF 1.25 SQ. IN.: CONCRETE PRODUCTS SUPPLY CO. - EZ STIK STB, HAMILTON - KENT GASKET CO. - KENT SEAL OR EQUAL, AS APPROVED BY VILLAGE. ALL JOINTS SHALL BE TUCKPOINTED WITH HYDRAULIC CEMENT.
7. ALL SANITARY SEWER MANHOLES SHALL BE CONSTRUCTED WITH FLEXIBLE MANHOLE COUPLINGS, AS MANUFACTURED BY ALOK PRODUCTS INC. (ALOK MANHOLE CONNECTOR), PRESS-SEAL GASKET CORPORATION (PRESS WEDGE I) OR EQUAL AS APPROVED BY VILLAGE ENGINEER. ALL MATERIALS SHALL COMPLY WITH, AND INSTALLATION PROCEDURES SHALL FOLLOW THOSE SPECIFIED BY THE MANUFACTURER OR VILLAGE.
8. AN EXTERIOR JOINT COLLAR SHALL BE INSTALLED AT ALL JOINTS BETWEEN SANITARY MANHOLE ELEMENTS. JOINT COLLARS WILL NOT BE REQUIRED FOR ADJUSTING RINGS. THE JOINT COLLAR SHALL BE MACHINAP EXTERIOR JOINT SEALER AS MANUFACTURED BY MAP-MAP MANUFACTURING COMPANY OR AN APPROVED EQUAL. THE COLLAR SHALL CONSIST OF A BAND NINE INCH (9) WIDE MASTIC COLLARS REQUIRING THE USE OF A PRIMER WILL NOT BE ACCEPTED.
9. COST FOR CHIMNEY SEAL SHALL BE INCIDENTAL TO THE CONTRACT PRICE OF SANITARY MANHOLE.



SANITARY SEWER MANHOLE, TYPE A
NOT TO SCALE

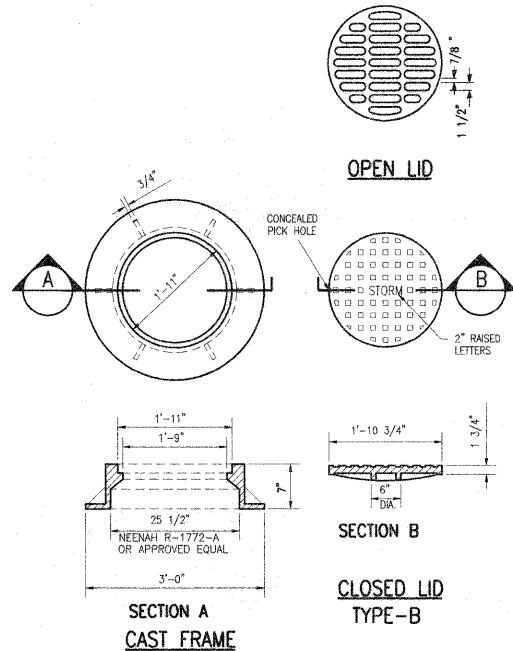
NOTES:

1. PRECAST-REINFORCED CONCRETE RISER RINGS AND CONES SHALL COMPLY WITH TEST STRENGTH - A.S.T.M. C-39. ADJUSTMENT RINGS SHALL NOT EXCEED 8" IN HEIGHT.
2. MINIMUM WALL THICKNESS SHALL BE 5" AND MINIMUM CIRCULAR REINFORCEMENT SHALL BE 0.18 SQUARE INCH PER FOOT.
3. THE BOTTOM MAY BE EITHER PRECAST WITH INVERTS AS INTEGRAL PART OR CAST IN PLACE WITH CLASS "SI" CONCRETE.
4. MANHOLE WALL THICKNESS "T" SHALL BE AS SHOWN IN THE LIST BELOW.
5. ALL STEPS SHALL BE CAST IRON AND CONFORM WITH NEENAH STANDARDS R-1981-1 OR APPROVED EQUAL.
6. ALL JOINTS BETWEEN PRE-CAST ELEMENTS, ADJUSTING RINGS AND MANHOLE FRAMES ON ALL UNDERGROUND STRUCTURES, SHALL BE SET IN PLACE WITH TWO ROWS OF ONE OF THE FOLLOWING BUTYL RUBBER JOINT SEALANTS: CONCRETE PRODUCTS SUPPLY CO. - EZ STIK STB, HAMILTON-KENT GASKET CO. - KENT SEAL, OR EQUAL, AS APPROVED BY VILLAGE ENGINEERS, AND ALL JOINTS TO BE TUCKPOINTED WITH HYDRAULIC CEMENT.
7. SEE CONSTRUCTION PLANS FOR ACTUAL TYPE OF CASTING SPECIFIED.



STORM SEWER MANHOLE, TYPE A
NOT TO SCALE

TYPE "C" MANHOLE IS WITHOUT CONE SECTION AND HAVING PRECAST FLAT TOP (DOT STD. 602601).



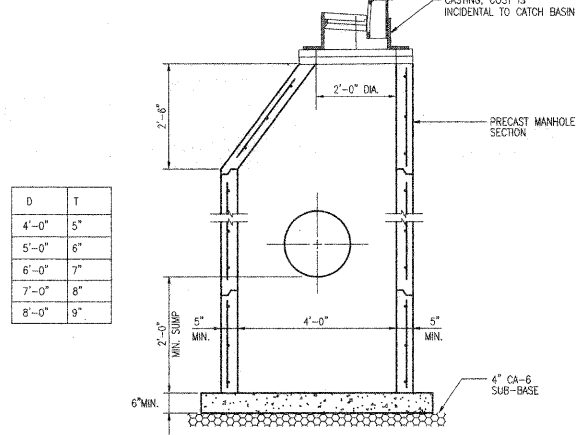
NOTES:

1. DUCTILE IRON CASTING SHALL BE GRADE 60-40-18 AND SHALL BE TESTED IN ACCORDANCE WITH FEDERAL SPECIFICATIONS.
2. ALL FRAMES AND LIDS SHALL BE MACHINED.
3. THE MANHOLE LIDS SHALL HAVE RAISED LETTERS AS SHOWN.
4. ALTERNATIVE TO DUCTILE IRON LID, GRAY IRON LID MAY BE USED.
5. FRAME AND LID TO BE E.I.W. 1022-2 OR APPROVED EQUAL.
6. CLOSED LID SHALL HAVE A CONCEALED PICK HOLE.
7. SANITARY MANHOLE LID SHALL BE "SELF-SEALING".
8. LID SHALL BE IMPRINTED WITH THE DESIGNATION "STORM", "SANITARY" OR "WATER".

TYPE 1 FRAME & LID
NOT TO SCALE

NOTES:

1. PRECAST-REINFORCED CONCRETE RISER RINGS AND CONES SHALL COMPLY WITH TEST STRENGTH - A.S.T.M. C-39. ADJUSTMENT RINGS SHALL NOT EXCEED 8" IN HEIGHT.
2. MINIMUM WALL THICKNESS SHALL BE 5" AND MINIMUM CIRCULAR REINFORCEMENT SHALL BE 0.18 SQUARE INCH PER FOOT.
3. ALL JOINTS BETWEEN PRE-CAST ELEMENTS, ADJUSTING RINGS AND MANHOLE FRAMES ON ALL UNDERGROUND STRUCTURES, SHALL BE SET IN PLACE WITH TWO ROWS OF ONE OF THE FOLLOWING BUTYL RUBBER JOINT SEALANTS: CONCRETE PRODUCTS SUPPLY CO. - (EZ STIK STB), HAMILTON-KENT GASKET CO. - (KENT SEAL), OR EQUAL, AS APPROVED BY VILLAGE ENGINEER, AND ALL JOINTS TO BE TUCKPOINTED WITH HYDRAULIC CEMENT.
4. ALL DRAINAGE STRUCTURES LOCATED IN REAR OR SIDE YARD AREAS SHALL BE INSTALLED WITH 2-6 INCH OR 3-4 INCH ADJUSTING RINGS. THIS WILL PROVIDE FOR A FUTURE MAXIMUM ADJUSTMENT OF 12 INCHES.
5. MANHOLE WALL THICKNESS "T" SHALL BE AS SHOWN IN THE LIST BELOW.
6. CASTING FOR SOME SLOPE CONDITIONS, USE E.I.W. V-4010-2 (NEENAH R-3065-2) OR APPROVED EQUAL.
7. SEE CONSTRUCTION PLANS FOR ACTUAL TYPE OF CASTING SPECIFIED.

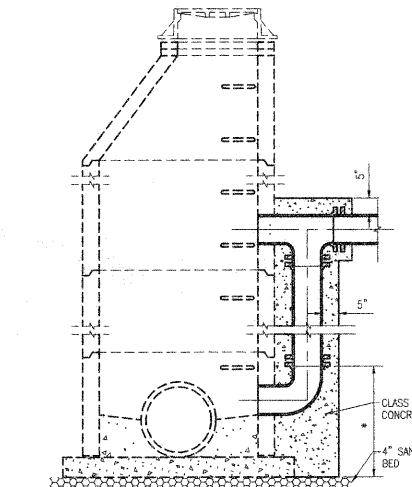


CATCH BASIN, TYPE A
NOT TO SCALE

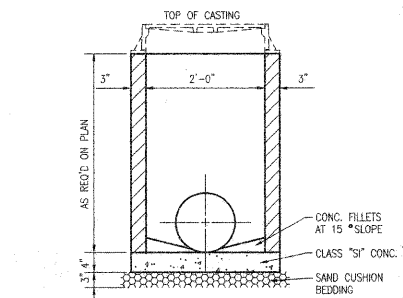
TYPE "C" CATCH BASIN IS WITHOUT CONE SECTION AND HAVING PRECAST FLAT TOP (DOT STD. 602601).

NOTES:

1. DROP MANHOLE SHALL BE REQUIRED WHEN THE DIFFERENCE IN ELEVATION OF TWO (2) INTERSECTING CONDUITS IS GREATER THAN 24 INCHES.
2. CONCRETE BLOCK CONSTRUCTION IS NOT PERMITTED.
3. THE JOINTS BETWEEN SECTIONS SHALL CONFORM TO ASTM C-443.
4. MAXIMUM HEIGHT FOR CONCRETE ENGAGEMENT POUR FOR RISER ON THE FIRST DAY.
5. CONTRACTOR HAS THE OPTION OF INSTALLING DUCTILE IRON RISER PIPE FROM THE DUCTILE IRON ELBOW TO THE DUCTILE IRON TEE WHENEVER THE LENGTH OF THE RISER IS NOT MORE THAN 16 FT. THE ELBOW SHALL BE PRECAST IN THE MANHOLE, THE TEE SHALL BE SET IN CONCRETE FOR THE FULL THICKNESS OF THE MANHOLE WALL.
6. FOR INCOMING SEWER LESS THAN 12", USE VERTICAL PIPE OF SAME DIAMETER.
7. DROP CONNECTION SHOULD BE INTEGRALLY CAST WITH MANHOLE.



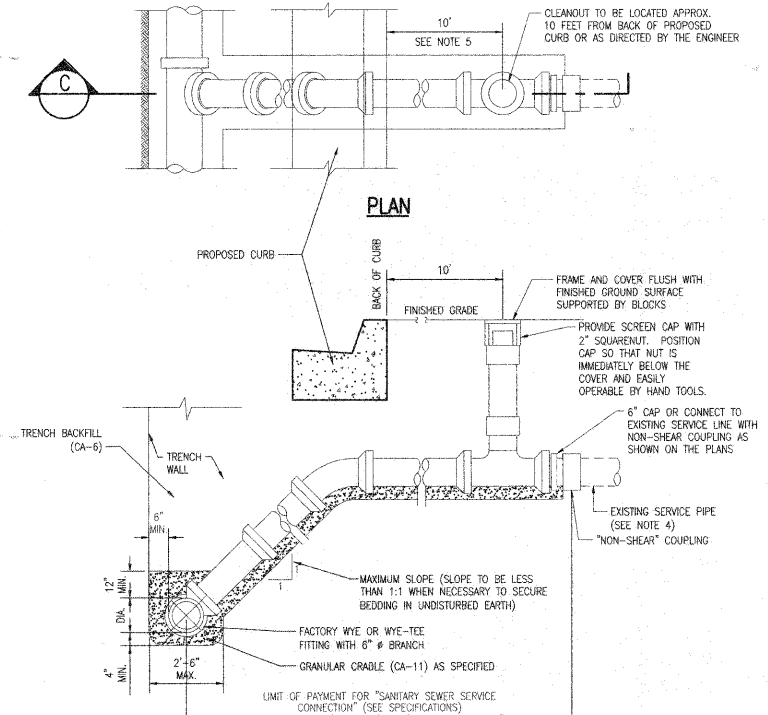
DROP CONNECTION TO SANITARY MANHOLE
NOT TO SCALE



NOTES:

1. MINIMUM WALL THICKNESS SHALL BE 3" AND MINIMUM CIRCULAR REINFORCEMENT SHALL BE 0.18 SQUARE INCH PER FOOT.
2. THE BOTTOM MAY BE EITHER PRECAST WITH INVERTS AS INTEGRAL PART OR CAST IN PLACE WITH CLASS "SI" CONCRETE.
3. ALL JOINTS BETWEEN PRE-CAST ELEMENTS, ADJUSTING RINGS AND FRAMES ON ALL UNDERGROUND STRUCTURES, SHALL BE SET IN PLACE WITH TWO ROWS OF ONE OF THE FOLLOWING BUTYL RUBBER JOINT SEALANTS: CONCRETE PRODUCTS SUPPLY CO. - EZ STIK STB, HAMILTON - KENT GASKET CO. - KENT SEAL, OR EQUAL, AS APPROVED BY THE VILLAGE ENGINEERS, AND ALL JOINTS TO BE TUCKPOINTED WITH HYDRAULIC CEMENT.
4. DRAINAGE STRUCTURES LOCATED IN REAR OR SIDE YARD AREAS SHALL BE INSTALLED WITH 2-6 INCH OR 3-4 INCH ADJUSTING RINGS. THIS WILL PROVIDE FOR A FUTURE MAXIMUM ADJUSTMENT OF 12 INCHES.
5. CASTING FOR SOME SLOPE CONDITIONS, USE E.I.W. V-4010-2 (NEENAH R-3065-2) OR APPROVED EQUAL.
6. SEE CONSTRUCTION PLANS FOR ACTUAL TYPE OF CASTING SPECIFIED.

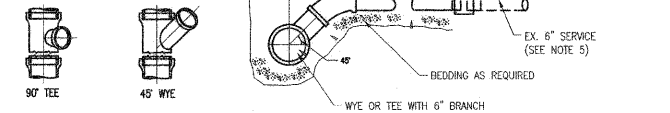
INLET, TYPE A
NOT TO SCALE



**SECTION C
SANITARY SEWER SERVICE CONNECTION
(FOR RECONSTRUCTION)**
NOT TO SCALE

NOTES:

1. THE WYE OR TEE SHALL BE INSTALLED AT A 45° ANGLE TO THE HORIZONTAL AXIS OF THE PUBLIC SEWER.
2. THE MINIMUM SLOPE ON A SANITARY SEWER SERVICE SHALL BE 1/8" PER FOOT.
3. WITHIN THE RIGHT-OF-WAY, THE BEDDING, HAUNCHING, INITIAL BACKFILL, AND TRENCH BACKFILL FOR THE SERVICE SHALL MATCH THE REQUIREMENT FOR THE MAIN LINE.
4. SANITARY SEWER SERVICE RECONNECTION FOR SANITARY SEWER SPOT REPAIRS SHALL BE LIMITED TO 5' FROM THE SEWER MAIN (SEE SPECIFICATIONS).
5. REPAIR ADDITIONAL LENGTH OF SEWER AS DIRECTED BY ENGINEER, PAID FOR AS "SANITARY SEWER, 6" PVC, SDR26".

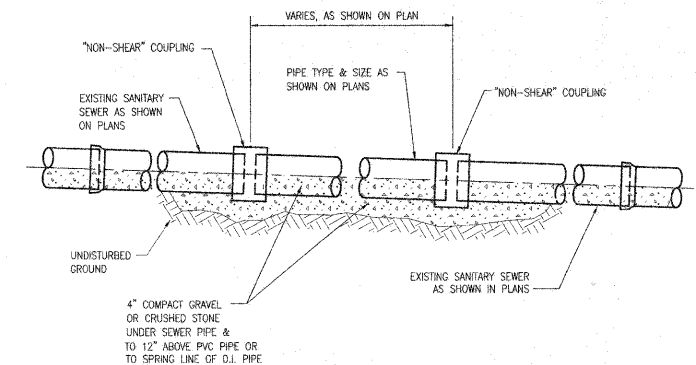


**SANITARY SEWER SERVICE CONNECTION
(FOR RESURFACING)**
NOT TO SCALE

NOTES:

1. MINIMUM WALL THICKNESS SHALL BE 3" AND MINIMUM CIRCULAR REINFORCEMENT SHALL BE 0.18 SQUARE INCH PER FOOT.
2. THE BOTTOM MAY BE EITHER PRECAST WITH INVERTS AS INTEGRAL PART OR CAST IN PLACE WITH CLASS "SI" CONCRETE.
3. ALL JOINTS BETWEEN PRE-CAST ELEMENTS, ADJUSTING RINGS AND FRAMES ON ALL UNDERGROUND STRUCTURES, SHALL BE SET IN PLACE WITH TWO ROWS OF ONE OF THE FOLLOWING BUTYL RUBBER JOINT SEALANTS: CONCRETE PRODUCTS SUPPLY CO. - EZ STIK STB, HAMILTON - KENT GASKET CO. - KENT SEAL, OR EQUAL, AS APPROVED BY THE VILLAGE ENGINEERS, AND ALL JOINTS TO BE TUCKPOINTED WITH HYDRAULIC CEMENT.
4. DRAINAGE STRUCTURES LOCATED IN REAR OR SIDE YARD AREAS SHALL BE INSTALLED WITH 2-6 INCH OR 3-4 INCH ADJUSTING RINGS. THIS WILL PROVIDE FOR A FUTURE MAXIMUM ADJUSTMENT OF 12 INCHES.
5. CASTING FOR SOME SLOPE CONDITIONS, USE E.I.W. V-4010-2 (NEENAH R-3065-2) OR APPROVED EQUAL.
6. SEE CONSTRUCTION PLANS FOR ACTUAL TYPE OF CASTING SPECIFIED.

INLET, TYPE A
NOT TO SCALE



SANITARY SEWER REPLACEMENT DETAIL
NOT TO SCALE

FILE NAME =	USER NAME = #USER#	DESIGNED -	REVISED -	STATE OF ILLINOIS DEPARTMENT OF TRANSPORTATION	DRAINAGE & UTILITY DETAILS (VILLAGE OF GLEN ELLYN)	F.A.U. R.T.E.	SECTION	COUNTY	TOTAL SHEETS	SHEET NO.	
#FILEL#		DRAWN -	REVISED -			2155	05-00068-00-FP	DUPAGE	141	48	
		CHECKED -	REVISED -			RIFORD ROAD RECONSTRUCTION		CONTRACT NO. 63092			
		DATE - 12/01/2009	REVISED -			FED. ROAD DIST. NO. 1 ILLINOIS FED. AID PROJECT					
					SCALE: N.T.S.	SHEET NO. 1 OF 1 SHEETS		STA.	TO STA.		