

**SCHEDULE OF QUANTITIES**

ITEM NO.	ITEM NAME	UNITS	QUANTITY
72000100	SIGN PANEL - TYPE 1	SO FT	29
80400100	ELECTRIC SERVICE INSTALLATION	EACH	1
81000600	CONDUIT IN TRENCH, 2" DIA., GALVANIZED STEEL	FOOT	637
81000700	CONDUIT IN TRENCH, 2 1/2" DIA., GALVANIZED STEEL	FOOT	170
81001000	CONDUIT IN TRENCH, 4" DIA., GALVANIZED STEEL	FOOT	21
81018500	CONDUIT PUSHED, 2" DIA., GALVANIZED STEEL	FOOT	28
81018900	CONDUIT PUSHED, 4" DIA., GALVANIZED STEEL	FOOT	199
81400100	HANDHOLE	EACH	6
81400200	HEAVY-DUTY HANDHOLE	EACH	4
81400300	DOUBLE HANDHOLE	EACH	1
81700315	ELECTRIC CABLE IN CONDUIT, 600V (EPR-TYPE RHW) 3-1/C NO. 10	FOOT	255
81900200	TRENCH AND BACKFILL FOR ELECTRICAL WORK	FOOT	828
82105500	LUMINAIRE, SODIUM VAPOR, HIGH MAST, HORIZONTAL MOUNT, 250 WATT	EACH	2
85700200	FULL-ACTUATED CONTROLLER AND TYPE IV CABINET	EACH	1
X8620020	UNINTERRUPTIBLE POWER SUPPLY	EACH	1
87301215	ELECTRIC CABLE IN CONDUIT, SIGNAL NO. 14 2C	FOOT	1109
87301225	ELECTRIC CABLE IN CONDUIT, SIGNAL NO. 14 3C	FOOT	962
87301245	ELECTRIC CABLE IN CONDUIT, SIGNAL NO. 14 5C	FOOT	829
87301255	ELECTRIC CABLE IN CONDUIT, SIGNAL NO. 14 7C	FOOT	466
87301445	ELECTRIC CABLE IN CONDUIT, LEAD-IN, NO. 16 12 PAIR	FOOT	153
87301805	ELECTRIC CABLE IN CONDUIT, SERVICE, NO. 6 2C	FOOT	121
87502480	TRAFFIC SIGNAL POST, GALVANIZED STEEL 14 FT.	EACH	2
87502500	TRAFFIC SIGNAL POST, GALVANIZED STEEL 16 FT.	EACH	1
87601200	PEDESTRIAN PUSH-BUTTON POST, GALVANIZED STEEL, TYPE II	EACH	1
87700190	STEEL MAST ARM ASSEMBLY AND POLE, 30 FT.	EACH	1
87700200	STEEL MAST ARM ASSEMBLY AND POLE, 32 FT.	EACH	1
87702890	STEEL COMBINATION MAST ARM ASSEMBLY AND POLE 32 FT.	EACH	1
87702910	STEEL COMBINATION MAST ARM ASSEMBLY AND POLE 36 FT.	EACH	1
87800100	CONCRETE FOUNDATION, TYPE A	FOOT	12
87800200	CONCRETE FOUNDATION, TYPE D	FOOT	4
87800415	CONCRETE FOUNDATION, TYPE E 36-INCH DIAMETER	FOOT	60
88030020	SIGNAL HEAD, LED, 1-FACE, 3 SECTION, MAST-ARM MOUNTED	EACH	5
88030050	SIGNAL HEAD, LED, 1-FACE, 3 SECTION, BRACKET MOUNTED	EACH	2
88030100	SIGNAL HEAD, LED, 1-FACE, 5-SECTION, BRACKET MOUNTED	EACH	2
88030110	SIGNAL HEAD, LED, 1-FACE, 5-SECTION, MAST-ARM MOUNTED	EACH	2
88102710	PEDESTRIAN SIGNAL HEAD, LED, 1-FACE, BRACKET MOUNTED	EACH	8
88200100	TRAFFIC SIGNAL BACKPLATE	EACH	7
88600100	DETECTOR LOOP, TYPE I	FOOT	716
88700200	LIGHT DETECTOR	EACH	2
88700300	LIGHT DETECTOR AMPLIFIER	EACH	1
88800100	PEDESTRIAN PUSH-BUTTON	EACH	7
89000100	TEMPORARY TRAFFIC SIGNAL INSTALLATION	EACH	1
89502375	REMOVE EXISTING TRAFFIC SIGNAL EQUIPMENT	EACH	1
X8730027	ELECTRIC CABLE IN CONDUIT, GROUNDING, NO. 6, 1C	FOOT	516
X8730250	ELECTRIC CABLE IN CONDUIT NO. 20 3/C, TWISTED, SHIELDED	FOOT	153

**ELECTRICAL LOAD CHART**

IDOT TRAFFIC SIGNAL INSTALLATION ELECTRICAL SERVICE REQUIREMENTS				TOTAL WATTAGE
TYPE	NO. LAMPS	WATTAGE LED	% OPERATION	
SIGNAL (RED)	11	17	0.50	94
SIGNAL (YELLOW)	11	25	0.25	69
SIGNAL (GREEN)	11	15	0.25	42
ARROW	8	12	0.10	10
PEDESTRIAN	16	15	0.50	120
CONTROLLER	1	100	1.00	100
<b>TOTAL</b>				<b>435</b>

ENERGY COSTS TO  
VILLAGE OF GLEN ELLYN PUBLIC WORKS  
30 S. LAMBERT ROAD  
GLEN ELLYN, IL 60137

ENERGY SUPPLY CONTACT : DEB RANKIN  
PHONE : (630) 691-4379  
COMPANY : COM. EDISON

FOUNDATION (DEPTH)	FT	CABLE SLACK	FT	VERTICAL	FT
TYPE A - POST	3	HANDHOLE	6.5	ALL FOUNDATIONS	3.5
TYPE D - CONTROLLER	3	DOUBLE HANDHOLE	13	MAST ARM POLE (L)	20'+L-2
E - MAST ARM POLE		SIGNAL POST	2	BRACKET MOUNTED	13
30"	45	CONTROLLER CABINET	1	ELECTRIC SERVICE	13.5
36"	15	FIBER OPTIC	13	SERVICE GROUND	13.5
		ELECTRIC SERVICE	1	POST MOUNTED	6
		GROUND CABLE	1		

**CABLE PLAN LEGEND**

- 8" (200mm) TRAFFIC SIGNAL SECTION
- 12" (300mm) TRAFFIC SIGNAL SECTION
- 12" (300mm) PEDESTRIAN SIGNAL SECTION
- 12" (300mm) PEDESTRIAN SIGNAL SECTION

**CONTROLLER CABINET**

- SERVICE INSTALLATION
- TELEPHONE CONNECTION
- MAGNETIC DETECTOR
- EMERGENCY VEHICLE LIGHT DETECTOR
- CONFIRMATION BEACON
- PUSHBUTTON DETECTOR
- VEHICLE DETECTOR, INDUCTION LOOP

DENOTES NUMBER OF CONDUCTORS.  
ALL CABLE NO. 14 EXCEPT AS INDICATED.  
ALL LOOP DETECTOR CABLE TO BE SHIELDED.

**RAILROAD CONTROL CABINET**

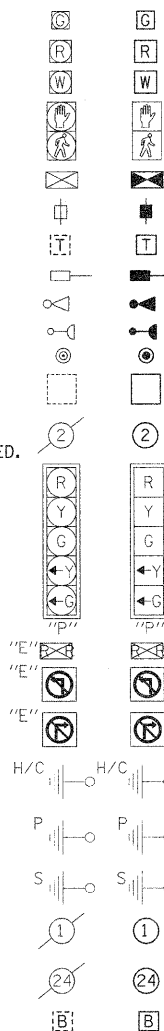
- ILLUMINATED SIGN, FIBER OPTIC "NO LEFT TURN"
- ILLUMINATED SIGN, FIBER OPTIC "NO RIGHT TURN"

- GROUND ROD AT HANDHOLE, DOUBLE HANDHOLE, OR CONTROLLER
- GROUND ROD AT POST, OR MAST ARM POLE
- GROUND ROD AT ELECTRIC, SERVICE INSTALLATION

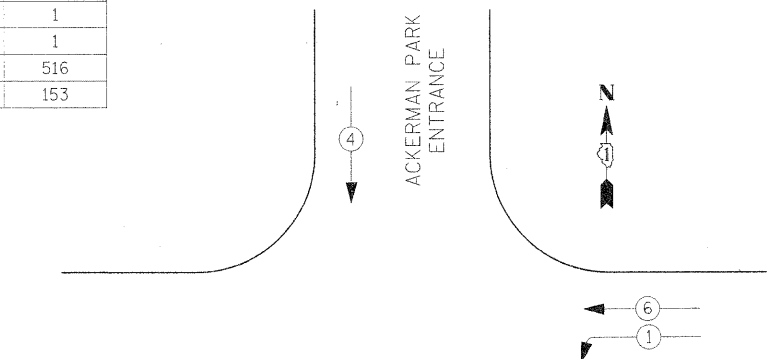
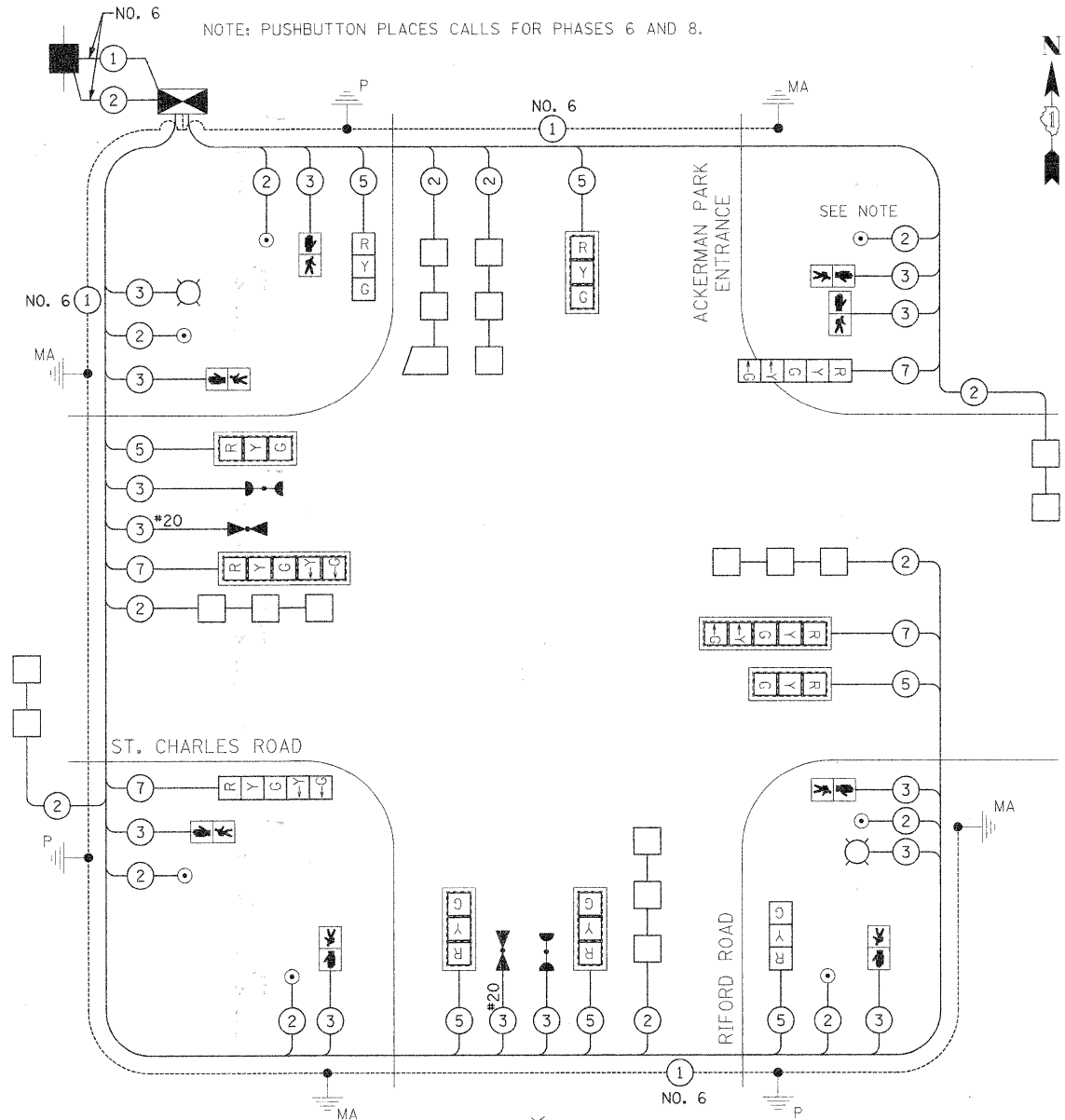
GROUND CABLE IN CONDUIT, NO.6 SOLID COPPER (GREEN)

- FIBER OPTIC CABLE IN CONDUIT NO. 62.5/125 2-MM12F & SM12F
- UNINTERRUPTIBLE POWER SUPPLY

**EXISTING PROPOSED**



**CABLE PLAN**



**LEGEND**

- DUAL ENTRY PHASE
- SINGLE ENTRY PHASE
- OVER LAP
- NUMBER REFERS TO ASSOCIATED PHASE
- PEDESTRIAN PHASE

PROPOSED EMERGENCY VEHICLE PREEMPTOR		
EMERGENCY VEHICLE PREEMPTOR	3	4
MOVEMENT	←	↑

**PROPOSED EMERGENCY VEHICLE PREEMPTION SEQUENCE**