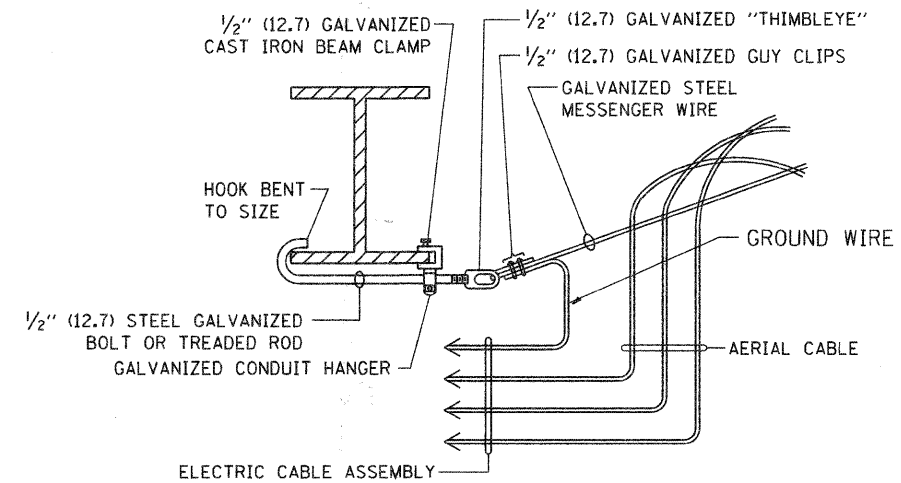


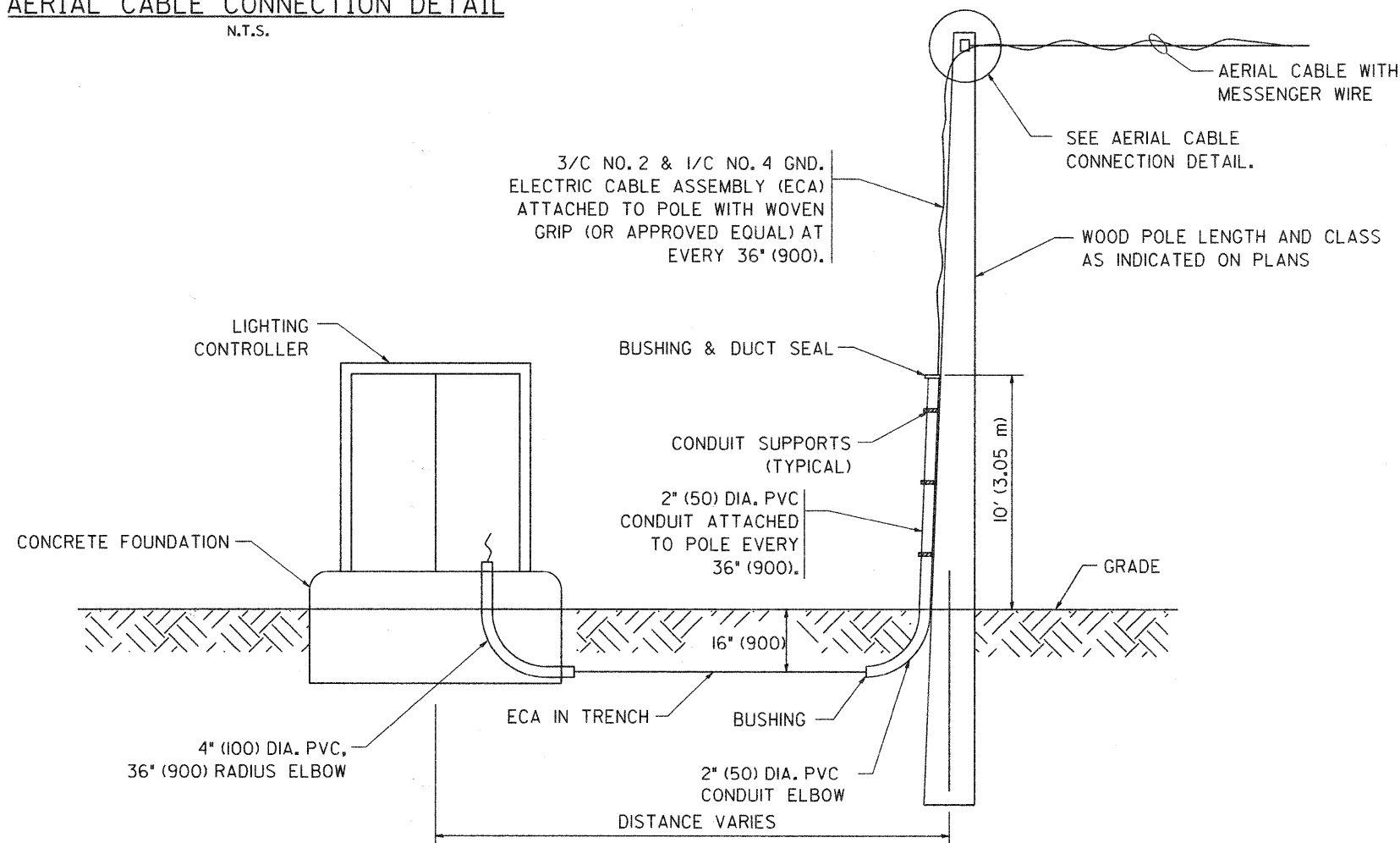
AERIAL CABLE CONNECTION DETAIL
N.T.S.



AERIAL CABLE ATTACHED TO STRUCTURE
NOT TO SCALE

NOTES:

1. ALL DIMENSIONS IN INCHES (MILLIMETERS) UNLESS OTHERWISE INDICATED.
2. SEE PROPOSED LIGHTING PLAN FOR CONDUIT, CABLE AND ROUTING.
3. THE CONTRACTOR SHALL PROVIDE INTERMEDIATE SUPPORTS TO MAINTAIN MINIMUM CLEARANCES. REFER TO AERIAL AERIAL CABLE ATTACHED TO STRUCTURE DETAIL.
4. COST OF SPLICES AND MOUNTING HARDWARE SHALL BE INCLUDED IN THE UNIT PRICE FOR AERIAL CABLE.



WOOD POLE TO LIGHTING CONTROLLER WIRING CONNECTION DETAIL
N.T.S.

FILE NAME = W:\dstatd\22x34\be801.dgn	USER NAME = goglianob	DESIGNED - DRAWN -	REVISED - 08-08-03 REVISED -	STATE OF ILLINOIS DEPARTMENT OF TRANSPORTATION	TEMPORARY AERIAL CABLE INSTALLATION			F.A. - RTE. - 718	SECTION 05-00068-00-PP	COUNTY DUPAGE	TOTAL SHEETS 141	SHEET NO. 99
PLOT SCALE = 50,000 / IN.	CHECKED -	REVISED -	REVISED -		SCALE: NONE	SHEET NO. 1 OF 1 SHEETS	STA. TO STA.	BE-801				
PLOT DATE = 1/4/2008	DATE -	REVISED -	REVISED -		CONTRACT NO. 63192							
FED. ROAD DIST. NO. 1 (ILLINOIS) FED. AID PROJECT												