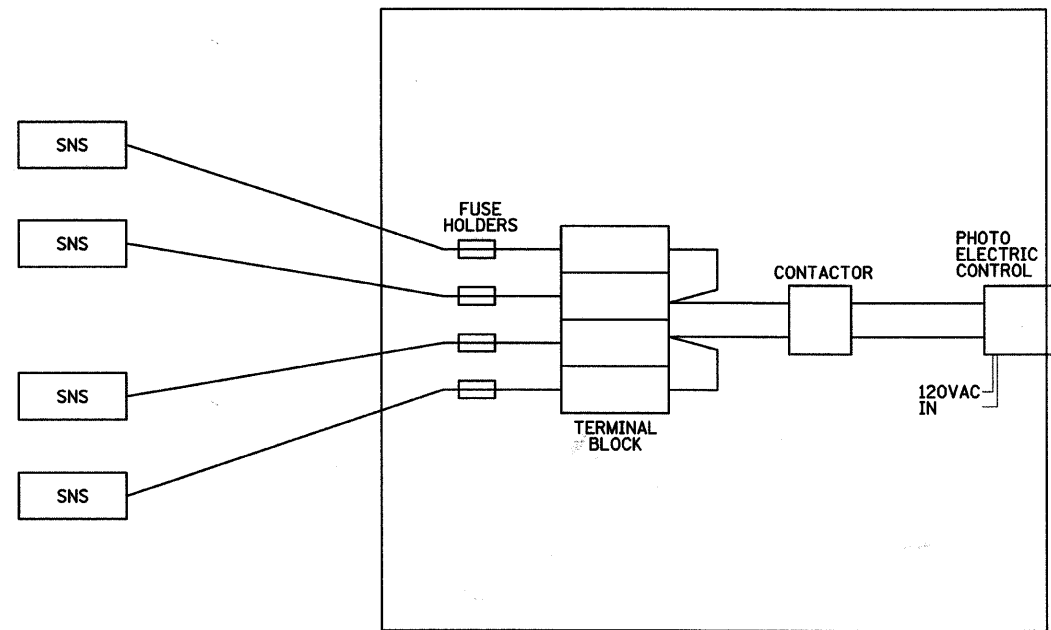
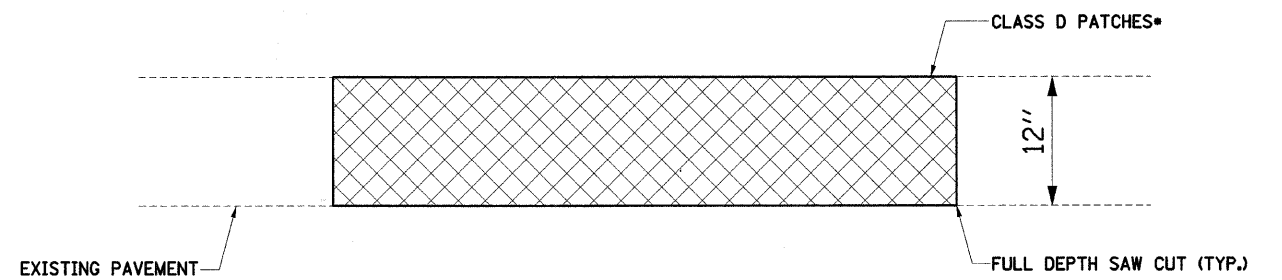


PLAN	SURVEYED	DATE
	PLOTTED	
	GRADES CHECKED	
	STRUCTURE NOTATIONS CHECKED	
NOTE BOOK NO.		
	BY	

PROFILE	SURVEYED	DATE
	PLOTTED	
	GRADES CHECKED	
	STRUCTURE NOTATIONS CHECKED	
NOTE BOOK NO.		
	BY	



LED STREET NAME SIGNS - PHOTOCELL WIRING DETAIL



PAVEMENT PATCHING

* THE PATCH SHALL CONSIST OF THE FOLLOWING:
 1 1/2" HOT-MIX ASPHALT SURFACE COURSE, MIX "D" N70
 10 1/2" HOT-MIX ASPHALT ASPHALT BINDER COURSE, IL-19.0, N70
 4" SUB-BASE GRANULAR MATERIAL, TYPE B

NOTE:
 THE SAW CUT AND AGGREGATE SUBBASE
 SHALL NOT BE PAID FOR SEPARATELY,
 BUT SHALL BE INCLUDED IN THE COST
 OF THE PATCH.

FILE NAME =
 ...Trans\Fin.dwg\690.2.det05.dgn

USER NAME = _USER_
 PLOT SCALE = \$SCALE\$
 PLOT DATE = 3/11/2010

DESIGNED -
 DRAWN *JMR*
 CHECKED *JRS*
 DATE -

REVISED -
 REVISED -
 REVISED -
 REVISED -

**STATE OF ILLINOIS
 DEPARTMENT OF TRANSPORTATION**

MISCELLANEOUS DETAILS

SCALE: SHEET NO. OF SHEETS STA. TO STA.

F.A.U. RTE.	SECTION	COUNTY	TOTAL SHEETS	SHEET NO.
3902	05-00258-00-TL	KANE	61	61
FED. ROAD DIST. NO. ILLINOIS FED. AID PROJECT			CONTRACT NO. 63251	