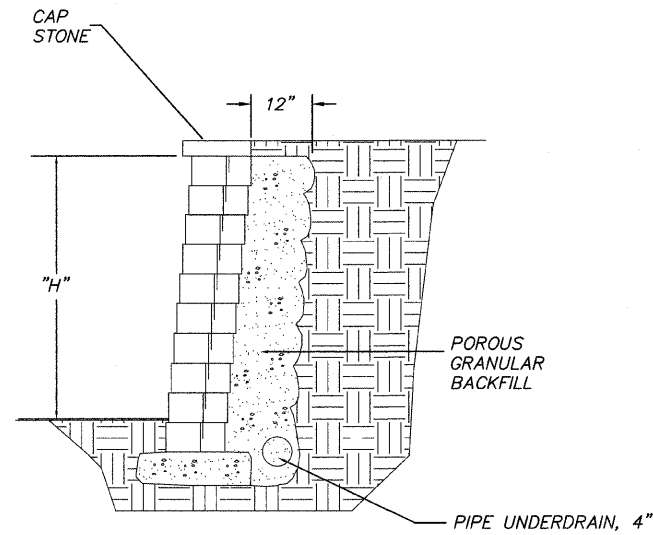
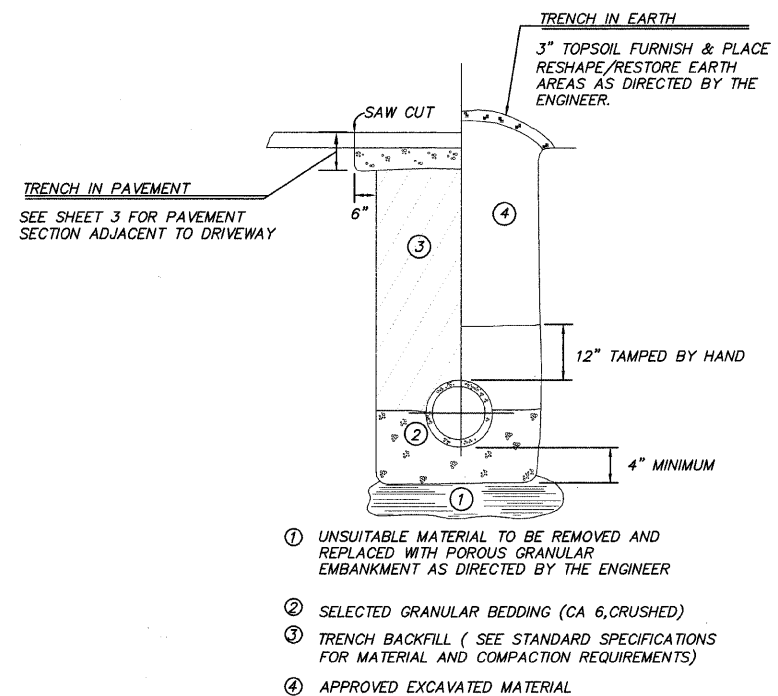


**TYPICAL SECTION -
GRADING AND SHAPING DITCHES**



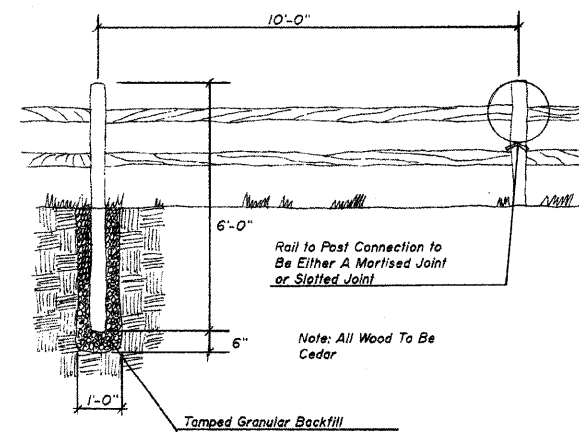
STONE RETAINING WALL DETAIL

NOT TO SCALE



TYPICAL TRENCH DETAIL

NOT TO SCALE



**RUSTIC WOOD POST AND
RAIL FENCE DETAIL**

NOT TO SCALE

FILE NAME = 10258803.DWG	USER NAME =	DESIGNED -- RJD	REVISED --	STATE OF ILLINOIS DEPARTMENT OF TRANSPORTATION	SPECIAL DETAILS			F.A. RTE.	SECTION	COUNTY	TOTAL SHEETS	SHEET NO.
	FILE NAME =	DRAWN -- EC	REVISED --					---	08-00062-00-SW	LAKE	73	41
	PLOT SCALE =	CHECKED -- RJD	REVISED --		SCALE: N.T.S.	SHEET NO. 41 OF 73 SHEETS	CONTRACT NO. 63280					
	PLOT DATE =	DATE -- 10/02/09	REVISED --		ILLINOIS FED. AID PROJECT							