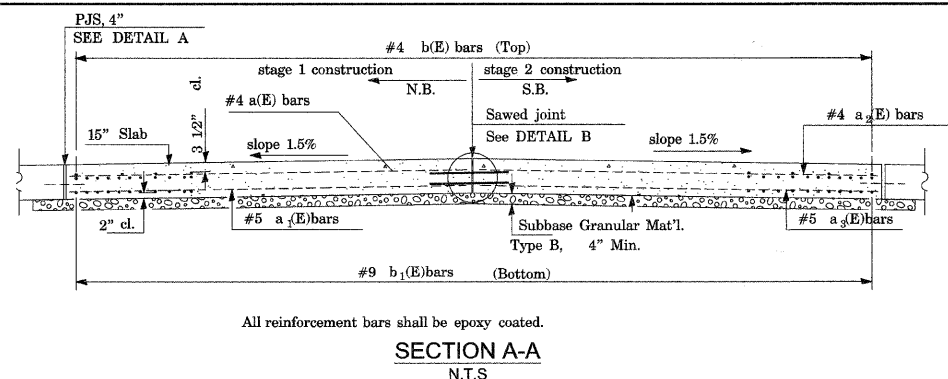
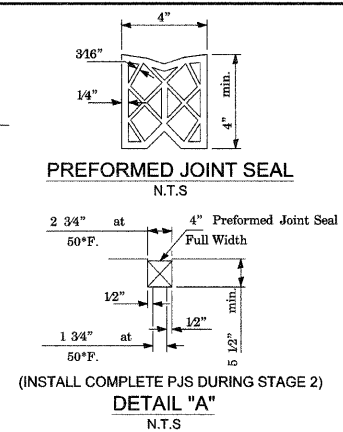


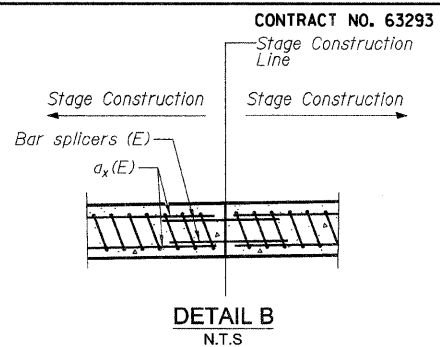
PLAN OF BRIDGE APPROACH PAVEMENT AND BRIDGE APPROACH PAVEMENT TRANSITION
N.T.S



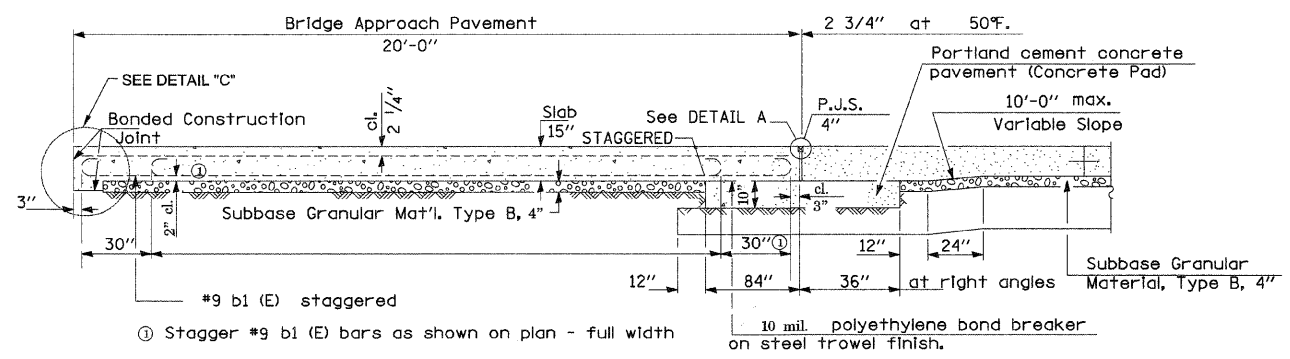
SECTION A-A
N.T.S



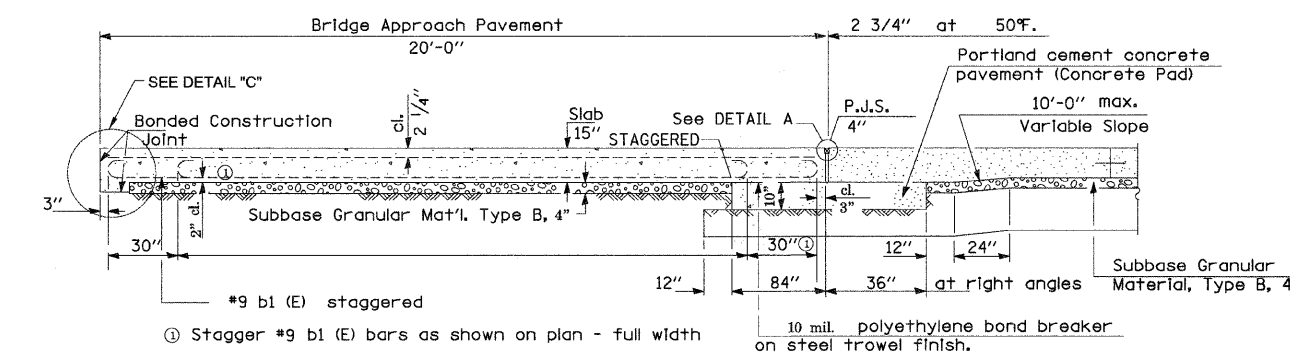
PREFORMED JOINT SEAL
N.T.S
(INSTALL COMPLETE PJS DURING STAGE 2)
DETAIL "A"
N.T.S



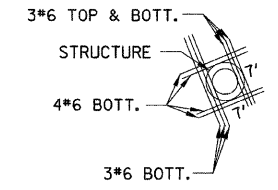
DETAIL B
N.T.S



SECTION B-B (NORTH BOUND)
N.T.S



SECTION B-B (SOUTH BOUND)
N.T.S



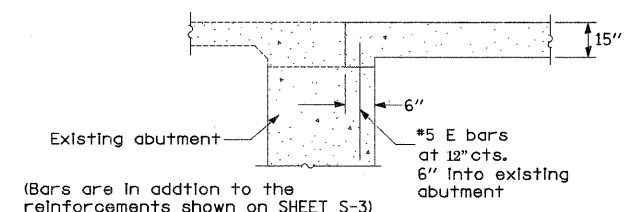
REINFORCEMENT AROUND STRUCTURE (TYP.)
DETAIL D
N.T.S
(Bars are in addition to the reinforcements shown on SHEET S-3)

GENERAL NOTES

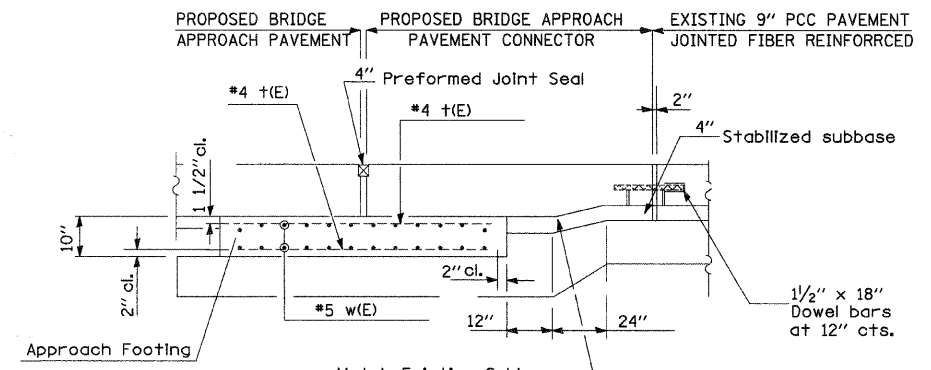
- CUT BARS IN FIELD AROUND MANHOLES, VALVE VAULT AND VALVE BOXES AS REQUIRED.
- PLACE REINFORCEMENT AS DIRECTED BY THE ENGINEER THE SAME PATTERN AND SIZES AS SHOWN IN DETAIL D
- P.J.F SHALL BE 3/4\" BITUMINOUS PREFORMED JOINT FILLER
- TILT # 9 b1(E) BARS AS REQUIRED TO MAINTAIN CLEARANCE

DESIGN STRESSES

$f_y = 60,000$ p.s.i.
 $f_c = 3,500$ p.s.i.
 $n = 8.5$



DETAIL C
N.T.S



SECTION D-D - RIGID PAVEMENT
N.T.S

FILE NAME = EAST_AVE_DETAILS.dgn	USER NAME = default	DESIGNED - EAH	REVISD - 01/28/10	STATE OF ILLINOIS DEPARTMENT OF TRANSPORTATION	EAST AVENUE BRIDGE APPROACH DETAIL 1		F.A.P. RTE. 2779	SECTION 09-00246-00-RS	COUNTY COOK	TOTAL SHEETS 25	SHEET NO. 14	
	PLOT SCALE = #SCALE#	DRAWN - EAH	REVISD -		SCALE: 1" = 10'	SHEET NO. OF SHEETS	STA. TO STA.	CONTRACT NO. 63293				
	PLOT DATE = 2/1/2010	CHECKED - OY	REVISD -		ILLINOIS FED. AID PROJECT							
		DATE - 01/28/10	REVISD -									