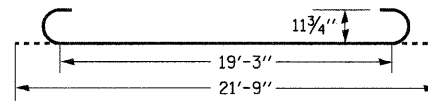
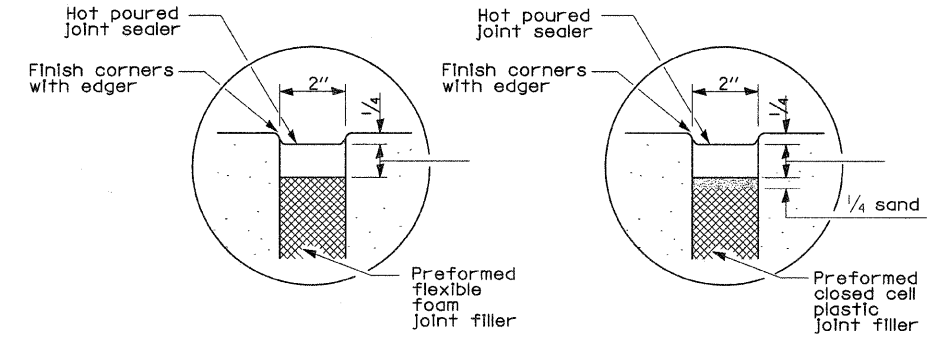


## BILL OF MATERIALS

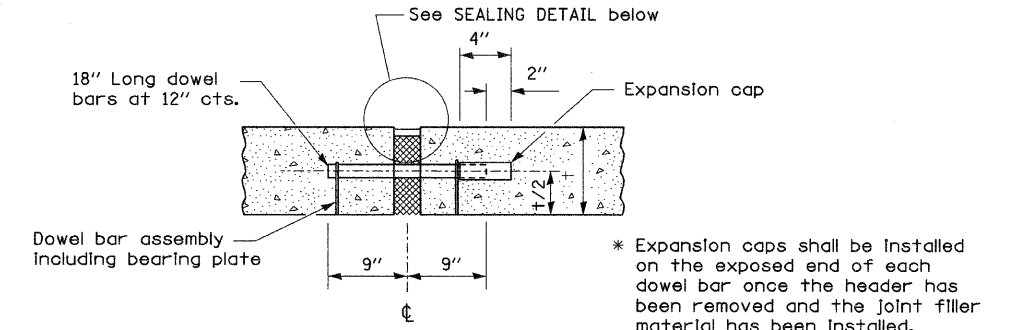
ITEM	SP	DESCRIPTION	QUANTITY	UNITS
42001420		Bridge Approach Pavement Connector (PCC)	61	Sq. Yd.
44000100		Pavement Removal	75	Sq. Yd.
44000700	*	Approach Slab Removal	130	Sq. Yd.
50300225		Concrete Structures	19	Cu. Yd.
50300255		Concrete Superstructure	68	Cu. Yd.
50300260		Bridge Deck Grooving	205	Sq. Yd.
50300300		Protective Coat	205	Sq. Yd.
50800205		Reinforcement Bars, Epoxy Coated	16482	Pound
50800515		Bar Splicers	162	Each
60255500		Manholes To Be Adjusted	2	Each
60265700		Valve Vaults To Be Adjusted	1	Each
60266600		Valve Boxes To Be Adjusted	2	Each
JT301001		Granular Subbase	23	Cu. Yd.
Z0017099	*	Dowel Bar Assembly	23	Each
Z0017202	*	Dowel Bars 1 1/2"	23	Each



BAR-b<sub>1</sub>(E)



SEALING DETAIL



DOWELLED EXPANSION JOINT

Bar	No.	Size	Length N.B.	Shape
a(E)	36	#4	28'-5"	—
a <sub>1</sub> (E)	68	#5	28'-5"	—
b(E)	24	#4	21'-6"	—
b <sub>1</sub> (E)	71	#9	21'-9"	—
t(E)	63	#4	9'-8"	—
w(E)	58	#5	28'-5"	—
Splicers	36	#4		
Splicers	126	#5		

REINFORCEMENT DETAILS  
PHASE 1 : NORTH BOUND

Bar	No.	Size	Length S.B.	Shape
a(E)	36	#4	28'-3"	—
a <sub>1</sub> (E)	68	#5	28'-3"	—
b(E)	24	#4	21'-6"	—
b <sub>1</sub> (E)	71	#9	21'-9"	—
t(E)	63	#4	9'-8"	—
w(E)	58	#5	28'-3"	—

REINFORCEMENT DETAILS  
PHASE 2 : SOUTH BOUND

### NOTES

APPROACH SLAB REMOVAL INCLUDES SAW CUTTING APPROACH SLAB AND ANY SUPPORTING MEMBERS CONSISTANT WITH STAGE CONSTRUCTION, REMOVING CONCRETE, SUBBASE, POSSIBLE GRADE BEAM OR SLEEPER SLAB, AND OTHER MATERIAL AS REQUIRED TO CONSTRUCT THE APPROACH SHOWN IN THESE PLANS. FOR APPROACH FOOTING MAXIMUM APPLIED SERVICE BEARING PRESSURE (Q<sub>max</sub>)= 2.0ksf. COST OF EXCAVATION FOR APPROACH FOOTING IS INCLUDED WITH APPROACH SLAB REMOVAL

APPROACH SLAB SHALL BE PAID FOR AS CONCRETE SUPERSTRUCTURE. PCC PAVEMENT CONNECTOR SHALL BE PAID FOR AS BRIDGE APPROACH PAVEMENT CONNECTOR (PCC). 10 MIL. POLYETHYLENE BOND BREAKER ON STEEL TROWEL FINISH COST IS INCLUDED WITH CONCRETE SUPERSTRUCTURE. APPROACH FOOTING CONCRETE SHALL BE PAID FOR AS CONCRETE STRUCTURES. REINFORCEMENT SHALL BE PAID FOR AS REINFORCEMENT BARS, EPOXY COATED.

WHEN REMOVING APPROACH SLAB AND PAVEMENT CONNECTOR, CONTRACTOR MUST PROTECT ALL MANHOLES, VALVE VAULTS, VALVE BOXES AND ANY OTHER STRUCTURE

BRIDGE APPROACH PAVEMENT CONNECTOR (PCC) SHALL BE JOINTED PCC PAVEMENT WITH FIBER  
SEE "EAST AVENUE JOINT DETAIL" - SHEET J1

FILE NAME = EAST_AVE_DETAILS02.dgn	USER NAME = default	DESIGNED - EAH	REVISED - 01/28/10	<b>STATE OF ILLINOIS DEPARTMENT OF TRANSPORTATION</b>	EAST AVENUE BRIDGE APPROACH DETAIL 2			F.A.P. RTE. 2779	SECTION 09-00246-00-RS	COUNTY COOK	TOTAL SHEETS 25	SHEET NO. 15
	PLOT SCALE = \$SCALE\$	DRAWN - EAH	REVISED -		SCALE: 1" = 10'	SHEET NO.	OF	SHEETS	STA.	TO STA.	CONTRACT NO. 63293	
	PLOT DATE = 2/16/2010	CHECKED - OY	REVISED -		ILLINOIS FED. AID PROJECT							
		DATE - 01/28/10	REVISED -									