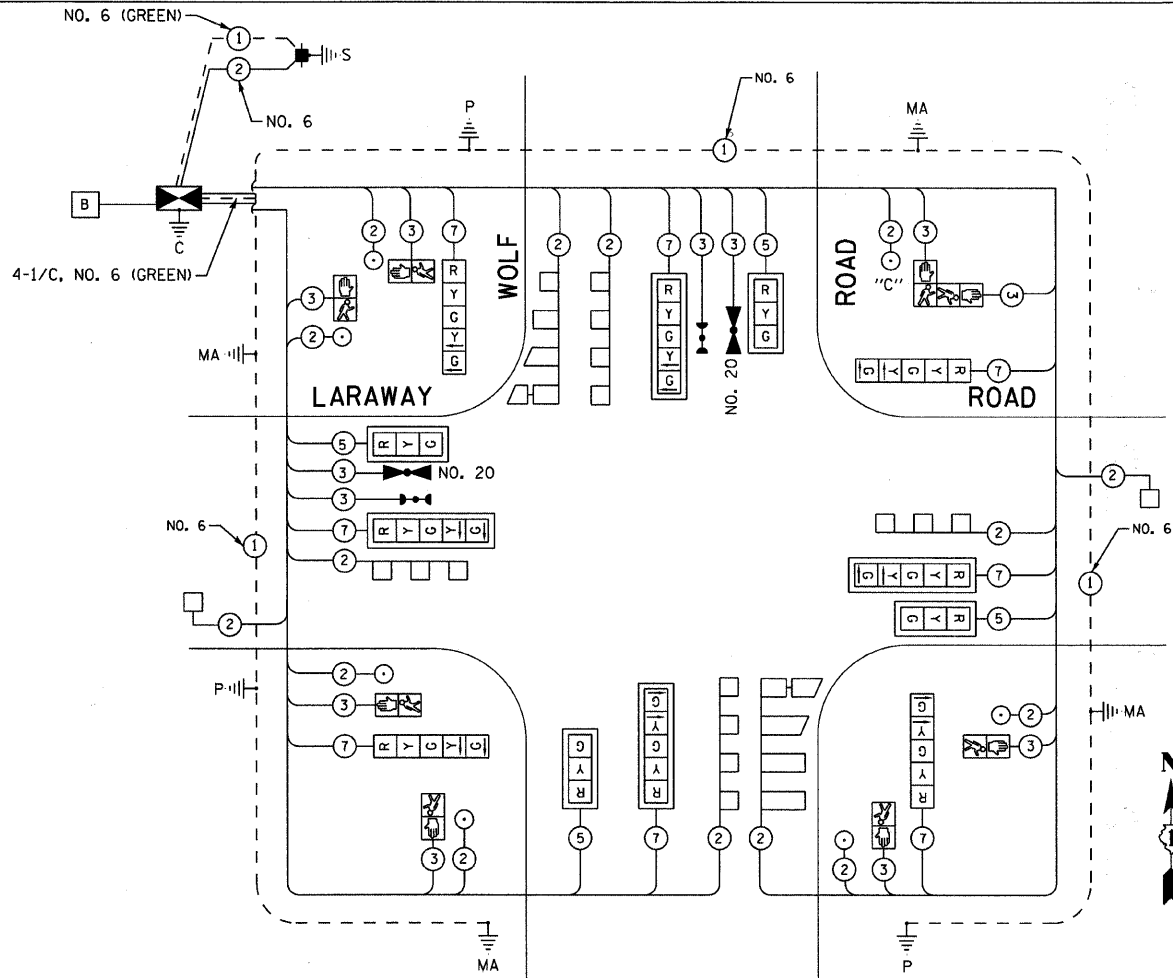


F.A.U. RTE.	SECTION	COUNTY	TOTAL SHEETS	SHEET NO.
320	07-00138-26-TL	WILL	19	14
STA.		TO STA.		
FED. ROAD DIST. NO. 9-405-06		ILLINOIS	FED AID PROJECT CMM-9003(025)	

CABLE PLAN LEGEND

EXISTING	PROPOSED	DESCRIPTION
		8" (200mm) TRAFFIC SIGNAL SECTION
		12" (300mm) TRAFFIC SIGNAL SECTION
		12" (300mm) PEDESTRIAN SIGNAL SECTION
		12" (300mm) PEDESTRIAN SIGNAL SECTION
		CONTROLLER CABINET
		SERVICE INSTALLATION
		TELEPHONE CONNECTION
		VEHICLE DETECTOR, INDUCTION LOOP
		MAGNETIC DETECTOR
		EMERGENCY VEHICLE LIGHT DETECTOR
		CONFIRMATION BEACON
		PUSHBUTTON DETECTOR
		DENOTES NUMBER OF CONDUCTORS. ALL CABLE NO. 14 EXCEPT AS INDICATED. ALL LOOP DETECTOR CABLE TO BE SHIELDED.
		FIBER OPTIC CABLE IN CONDUIT, NO. 62.5/125 2-MM12F SM12F
		SIGNAL FACE WITH BACKPLATE. "P" INDICATES PROGRAMMED HEAD
		RAILROAD CONTROL CABINET
		ILLUMINATED SIGN, "NO LEFT TURN"
		ILLUMINATED SIGN, "NO RIGHT TURN"
		GROUND CABLE 1C NO.6
		GROUND ROD AT HANDHOLE (H), DOUBLE HANDHOLE (H), OR CONTROLLER (C)
		GROUND ROD AT POST (P), OR MAST ARM POLE (MA)
		GROUND ROD AT ELECTRIC SERVICE INSTALLATION
		UNINTERRUPTIBLE POWER SUPPLY



CABLE PLAN

(NOT TO SCALE)

PEDESTRIAN PUSH BUTTON NOTES

PUSH BUTTON "C" SHALL PLACE A CALL IN PHASES 6 AND 8.

SCHEDULE OF QUANTITIES

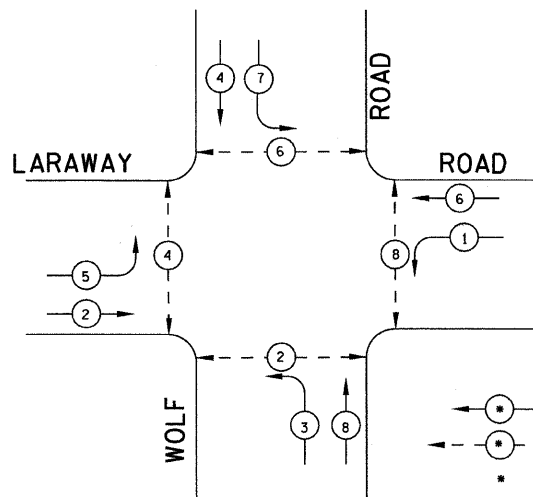
CONTRACT NO. 63329

PAY ITEM	UNIT	QUANTITY
72000100 SIGN PANEL - TYPE 1	SQ FT	28.5
81000600 CONDUIT IN TRENCH, 2" DIA., GALVANIZED STEEL	FOOT	584
81000700 CONDUIT IN TRENCH, 2 1/2" DIA., GALVANIZED STEEL	FOOT	30
81000800 CONDUIT IN TRENCH, 3" DIA., GALVANIZED STEEL	FOOT	8
81001100 CONDUIT IN TRENCH, 5" DIA., GALVANIZED STEEL	FOOT	10
81018500 CONDUIT PUSHED, 2" DIA., GALVANIZED STEEL	FOOT	71
81018600 CONDUIT PUSHED, 2 1/2" DIA., GALVANIZED STEEL	FOOT	87
81018900 CONDUIT PUSHED, 4" DIA., GALVANIZED STEEL	FOOT	336
81019000 CONDUIT PUSHED, 5" DIA., GALVANIZED STEEL	FOOT	28
81400700 HANDHOLE, PORTLAND CEMENT CONCRETE	EACH	4
81400710 HEAVY DUTY HANDHOLE, PORTLAND CEMENT CONCRETE	EACH	5
81400720 DOUBLE HANDHOLE, PORTLAND CEMENT CONCRETE	EACH	2
81900200 TRENCH AND BACKFILL FOR ELECTRICAL WORK	FOOT	934
85700200 FULL - ACTUATED CONTROLLER AND TYPE IV CABINET	EACH	1
86200200 UNINTERRUPTIBLE POWER SUPPLY, STANDARD	EACH	1
87301215 ELECTRIC CABLE IN CONDUIT, SIGNAL, NO. 14 2C	FOOT	1316
87301225 ELECTRIC CABLE IN CONDUIT, SIGNAL, NO. 14 3C	FOOT	1904
87301245 ELECTRIC CABLE IN CONDUIT, SIGNAL, NO. 14 5C	FOOT	921
87301255 ELECTRIC CABLE IN CONDUIT, SIGNAL, NO. 14 7C	FOOT	1760
87301305 ELECTRIC CABLE IN CONDUIT, LEAD-IN, NO. 14 1 PAIR	FOOT	1884
87301805 ELECTRIC CABLE IN CONDUIT, SERVICE, NO. 6, 2C	FOOT	95
87502500 TRAFFIC SIGNAL POST, GALVANIZED STEEL, 16 FT.	EACH	3
87700160 STEEL MAST ARM ASSEMBLY AND POLE, 24 FT.	EACH	1
87700250 STEEL MAST ARM ASSEMBLY AND POLE, 42 FT.	EACH	1
87700270 STEEL MAST ARM ASSEMBLY AND POLE, 46 FT.	EACH	1
87700310 STEEL MAST ARM ASSEMBLY AND POLE, 54 FT.	EACH	1
87800100 CONCRETE FOUNDATION, TYPE A	FOOT	12
87800150 CONCRETE FOUNDATION, TYPE C	FOOT	4
87800400 CONCRETE FOUNDATION, TYPE E 30" DIAMETER	FOOT	15
87800415 CONCRETE FOUNDATION, TYPE E 36" DIAMETER	FOOT	45
88030020 SIGNAL HEAD, LED, 1-FACE, 3-SECTION, MAST ARM MOUNTED	EACH	4
88030100 SIGNAL HEAD, LED, 1-FACE, 5-SECTION, BRACKET MOUNTED	EACH	4
88030110 SIGNAL HEAD, LED, 1-FACE, 5-SECTION, MAST ARM MOUNTED	EACH	4
88102710 PEDESTRIAN SIGNAL HEAD, LED, 1-FACE, BRACKET MOUNTED	EACH	6
88102740 PEDESTRIAN SIGNAL HEAD, LED, 2-FACE, BRACKET MOUNTED	EACH	1
88200110 TRAFFIC SIGNAL BACKPLATE, LOUVERED	EACH	8
88500100 INDUCTIVE LOOP DETECTOR	EACH	8
88600100 DETECTOR LOOP, TYPE 1	FOOT	1052
88700200 LIGHT DETECTOR	EACH	2
88700300 LIGHT DETECTOR AMPLIFIER	EACH	1
88800100 PEDESTRIAN PUSH BUTTON	EACH	7
X8050015 SERVICE INSTALLATION, POLE MOUNTED	EACH	1
X8730250 ELECTRIC CABLE IN CONDUIT, NO. 20 3/C, TWISTED, SHIELDED	FOOT	330
X8730027 ELECTRIC CABLE IN CONDUIT, GROUNDING, NO. 6 1C	FOOT	1173

TRAFFIC SIGNAL NOTES:

- THE TRAFFIC SIGNAL CONTROLLER SHALL BE "ECONOLITE".
- THE NEUTRAL AND GROUND SHALL BE TIED AT THE SERVICE INSTALLATION, BUT SHALL BE SEPARATED AT THE TRAFFIC SIGNAL CABINET.

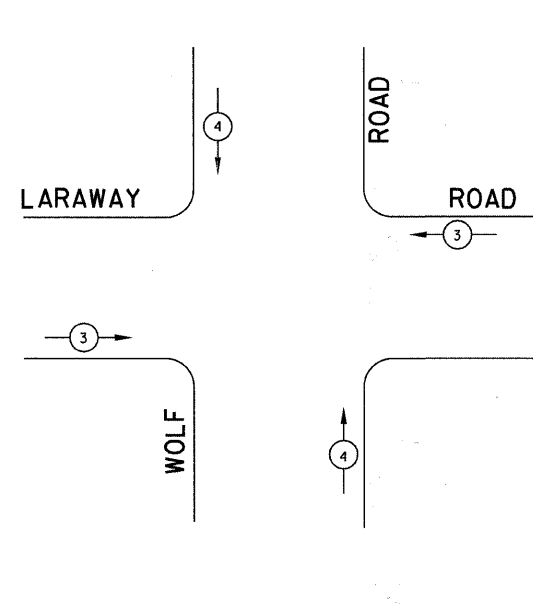
CONTROLLER SEQUENCE



PHASE DESIGNATION DIAGRAM

FOUNDATION (DEPTH)	FT. (m)	CABLE SLACK	FT. (m)	VERTICAL	FT. (m)
TYPE A - POST	4 (1.2)	HANDHOLE	6.5 (2.0)	ALL FOUNDATIONS	3.5 (1.0)
C - CONTROLLER	4 (1.2)	DOUBLE HANDHOLE	13 (4.0)	MAST ARM (L) POLE	20' +/- 2"
E - M. ARM POLE		SIGNAL POST	2 (0.6)		13m +/- 0.6m
24" (600mm)	10 (3.0)	CONTROLLER CAB.	1 (0.3)	BRACKET MOUNTED	4 (1.2)
30" (750mm)	15 (4.6)	FIBER OPTIC	13 (4.0)	PED. PUSHBUTTON	4 (1.2)
36"	15 (4.6)	ELECTRIC SERVICE	1 (0.3)	ELECTRIC SERVICE	13.5 (4.1)
		GROUND CABLE	1 (0.3)	SERVICE TO GROUND	13.5 (4.1)
				POST MOUNTED	6 (1.8)

EMERGENCY VEHICLE PREEMPTION SEQUENCE



PROPOSED EMERGENCY VEHICLE PREEMPTION		
EMERGENCY VEHICLE PREEMPTION	3	4
MOVEMENT	←	↑

REVISIONS	
NAME	DATE
PER COUNTY	8-20-09
PER IDOT	9-16-09

ILLINOIS DEPARTMENT OF TRANSPORTATION
TRAFFIC SIGNAL CABLE PLAN AND PHASE DESIGNATION DIAGRAM
LARAWAY ROAD AT WOLF ROAD
 PROJECT NO. 071621 DESIGNED BY: RWL
 SCALE: NONE DRAWN BY: BCD
 DATE: 06/25/09 CHECKED BY: NJP



COPYRIGHT © 2008 BY BAXTER & WOODMAN, INC.
 STATE OF ILLINOIS - PROFESSIONAL DESIGN FIRM
 5660cd
 10/16/2009
 \\c:\p\woodman\projects\amkenc\will\071621\rvwy.ct\wof\cadd\surveys\drawings\dgn\071621-15-Cable.plt

I.D.O.T. TRAFFIC SIGNAL INSTALLATION ELECTRICAL SERVICE REQUIREMENTS					TOTAL WATTAGE
TYPE	NO. LAMPS	WATTAGE INCAND.	LED	%OPERATION	
SIGNAL (RED)	12		17	0.50	102
(YELLOW)	12		25	0.25	75
(GREEN)	12		15	0.25	45
ARROW	16		12	0.10	19.2
PED. SIGNAL	8		25	1.00	200
CONTROLLER	1		100	1.00	100.00
UPS	1		25	1.00	25
FLASHER				0.50	--
TOTAL =					566.20

ENERGY COSTS TO: WILL COUNTY DEPARTMENT OF HIGHWAYS
 16841 WEST LARAWAY ROAD
 JOLIET, ILLINOIS 60433
 ENERGY SUPPLY CONTACT: KRISHNA KIRKLAND
 PHONE: (815) 724-5805
 COMPANY: COM. ED.