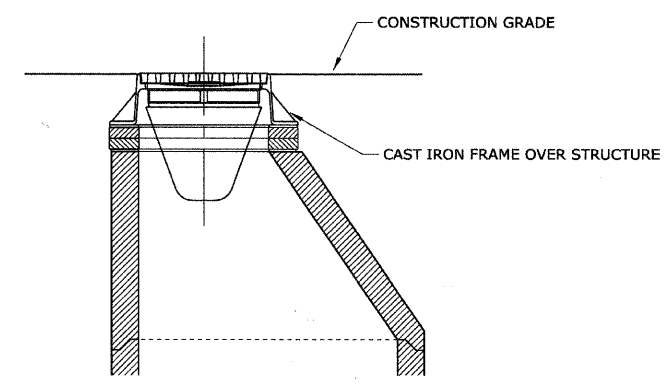


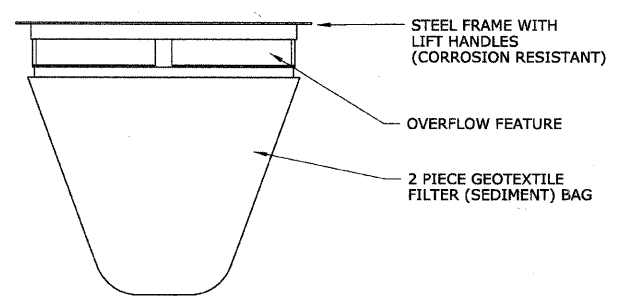
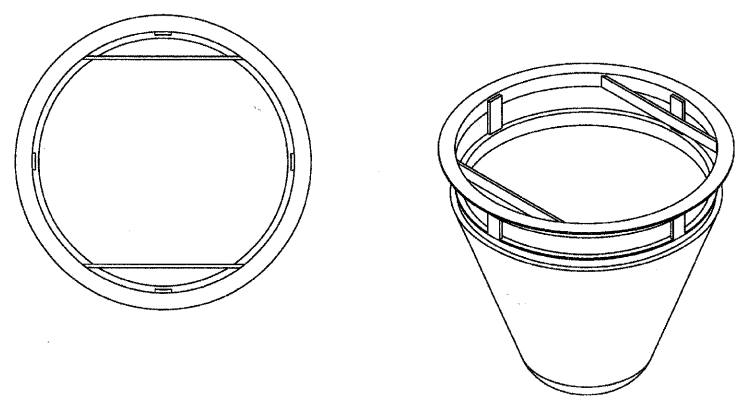
CONTRACT No. 63353

PLAN
 SURVEYED _____ DATE _____
 PLOTTED _____
 CHECKED _____
 BY _____
 NO. _____
 NOTE BOOK _____
 ID. _____



INLET FILTER INSTALLATION DETAIL

PROFILE
 SURVEYED _____ DATE _____
 PLOTTED _____
 CHECKED _____
 BY _____
 NO. _____
 NOTE BOOK _____
 ID. _____



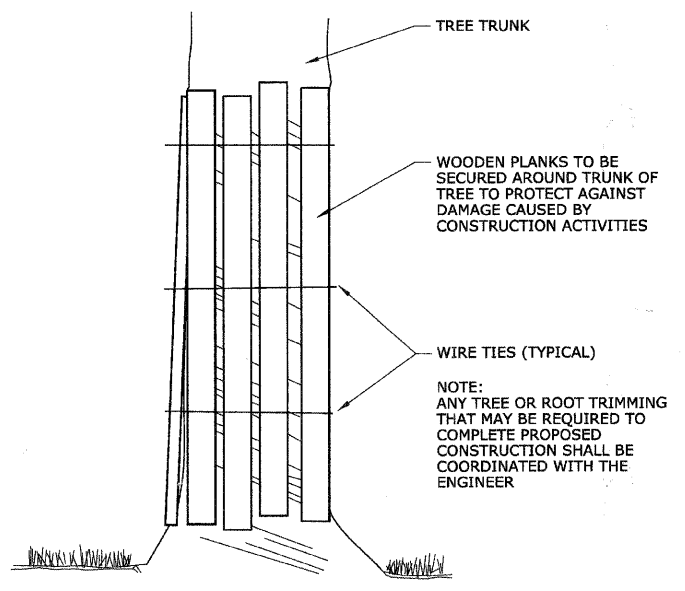
INLET FILTER ASSEMBLY DETAIL

- NOTES**
1. INLET FILTER ASSEMBLY SHALL MEET IDOT'S PROVISIONAL SPECIFICATIONS (ISP 04-11).
 2. MAINTENANCE/CLEANING OF THE INLET FILTER ASSEMBLY SHALL BE CONSIDERED TO BE INCIDENTAL TO THE COST OF THE ITEM AND IN STRICT ACCORDANCE WITH THE SPECIAL PROVISIONS AND THE MANUFACTURER'S RECOMMENDATIONS AND WRITTEN SPECIFICATIONS.
 3. PRIOR TO ORDERING MATERIALS, THE CONTRACTOR SHALL DETERMINE THE SIZE AND SHAPE OF THE VARIOUS DRAINAGE STRUCTURES BEING PROTECTED.
 4. MANUFACTURER SHALL FURNISH A CERTIFICATION WITH EACH SHIPMENT STATING COMPLIANCE WITH IDOT REQUIREMENTS.
 5. ASSEMBLY SHALL BE AS MANUFACTURED BY INLET AND PIPE PROTECTION, INC., MARATHON MATERIALS, OR APPROVED EQUAL.

STABILIZATION TYPE	JAN	FEB	MAR	APR	MAY	JUN	JUL	AUG	SEP	OCT	NOV	DEC
PERMANENT SEEDING			A			*	*					
DORMANT SEEDING	B										B	
TEMPORARY SEEDING			C			*	D*					
SODDING			E**									
MULCHING	F											

- A. KENTUCKY BLUEGRASS 90 LBS/AC MIXED WITH PERENNIAL RYEGRASS 30 LBS/AC
- B. KENTUCKY BLUEGRASS 135 LBS/AC MIXED WITH PERENNIAL RYEGRASS 45 LBS/AC + 2 TONS STRAW MULCH/AC
- C. SPRING OATS 100 LBS/AC
- D. WHEAT OR CEREAL RYE 150 LBS/AC
- E. SOD
- F. STRAW MULCH 2 TONS/AC
- * IRRIGATION NEEDED DURING JUNE AND JULY
- ** IRRIGATION NEEDED FOR 2 TO 3 WEEKS AFTER APPLYING SOD

SOIL PROTECTION CHART



TREE TRUNK PROTECTION

TREE PROTECTION - FENCING

NOTES:

1. The fence shall be located a minimum of 1 foot outside the drip line of the tree to be saved and in no case closer than 5 feet to the trunk of any tree.
2. Fence posts shall be either standard steel posts or wood posts with a minimum cross sectional area of 3.0 sq. in.
3. The fence may be either 40' high snow fence, 40' plastic web fencing or any other material as approved by the engineer/inspector.

REFERENCE	Project _____ Date _____	<p>STANDARD DWG. NO. IL-690</p> <p>SHEET 1 OF 1</p> <p>DATE 4-7-94</p>
Designed	_____ Date _____	
Checked	_____ Date _____	
Approved	_____ Date _____	

REVISIONS		ILLINOIS DEPARTMENT OF TRANSPORTATION BLUFF AVENUE IMPROVEMENTS STAGE 3
NAME	DATE	
		CONSTRUCTION DETAILS - SPECIAL SCALE: NTS DATE 11/30/2009 DRAWN BY H&A CHECKED BY JRH