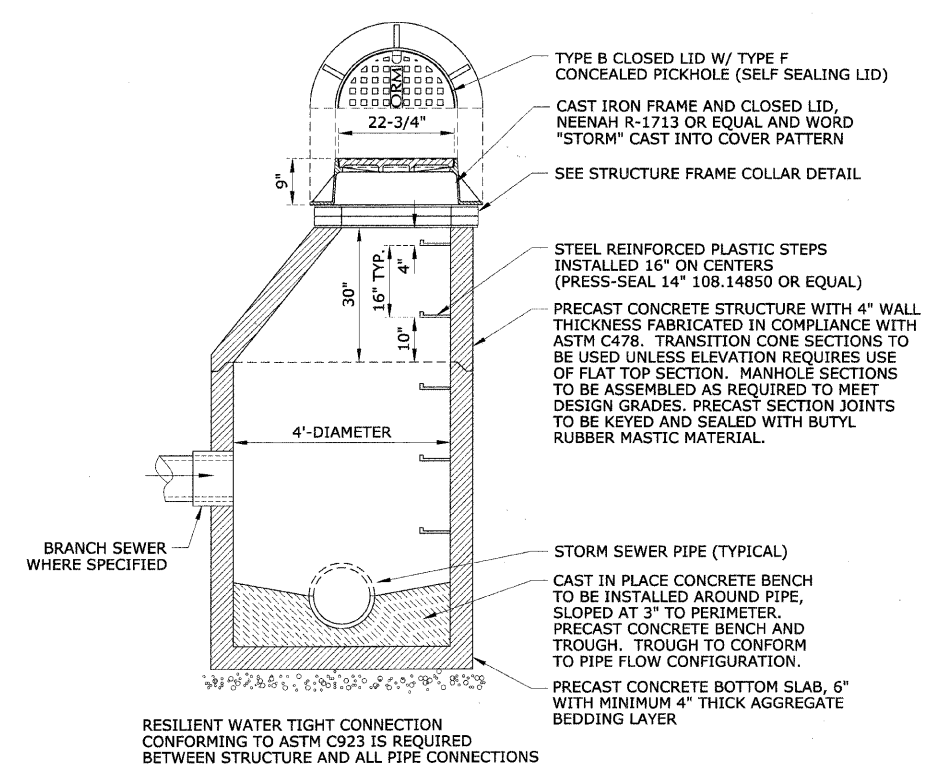
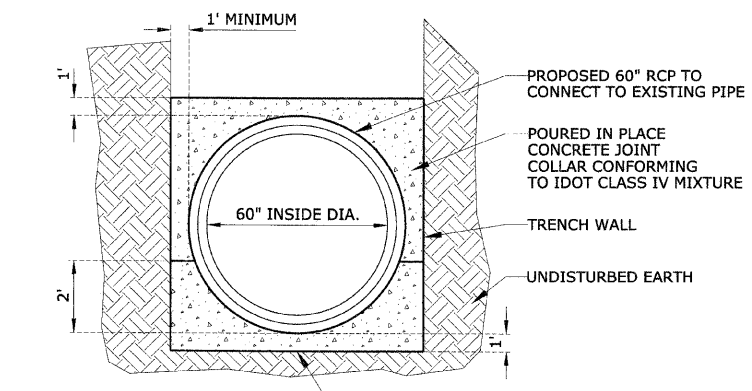


CONTRACT No. 63353

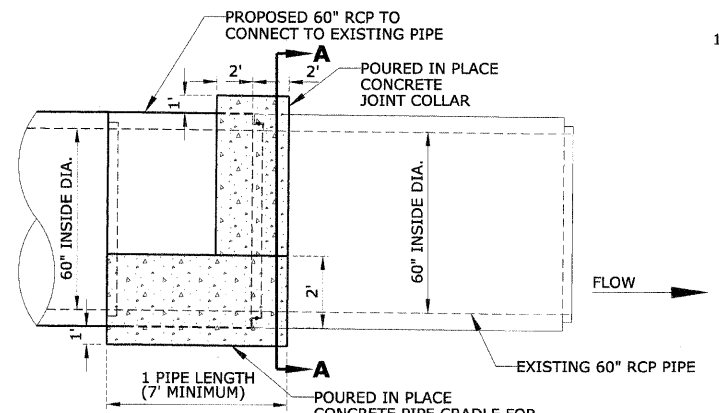
PLAN	SURVEYED	BY	DATE
	NOTE BOOK		
	ALIGNMENT CHECKED		
	RT. OF WAY CHECKED		
	PAVED FILE NAME		



STORM MANHOLE, TYPE A, 4'-DIAMETER WITH TYPE 1 FRAME AND CLOSED LID

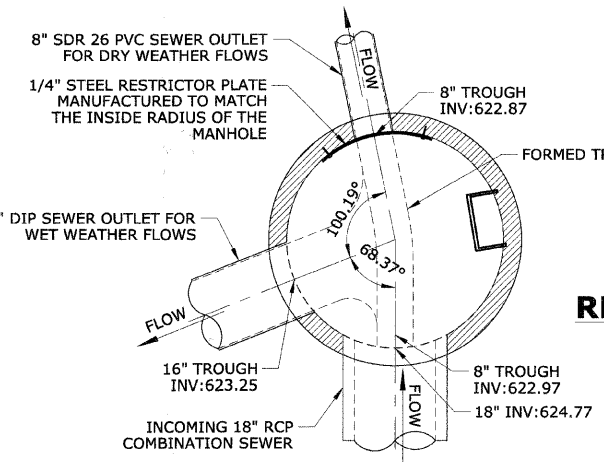


SECTION A - A

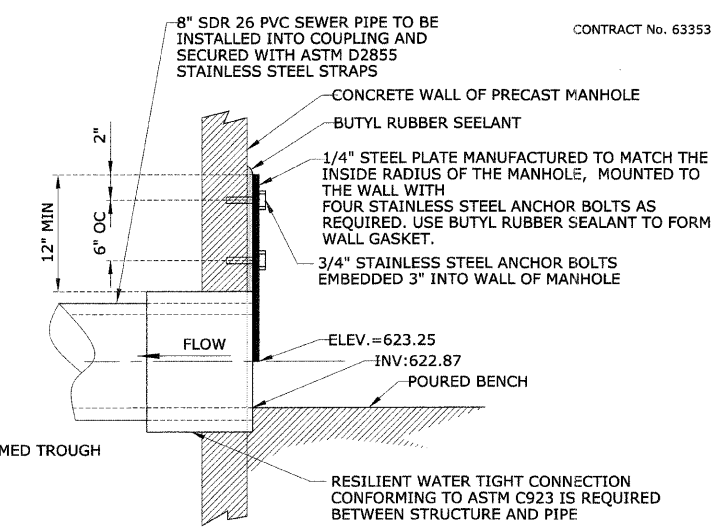


ELEVATION VIEW

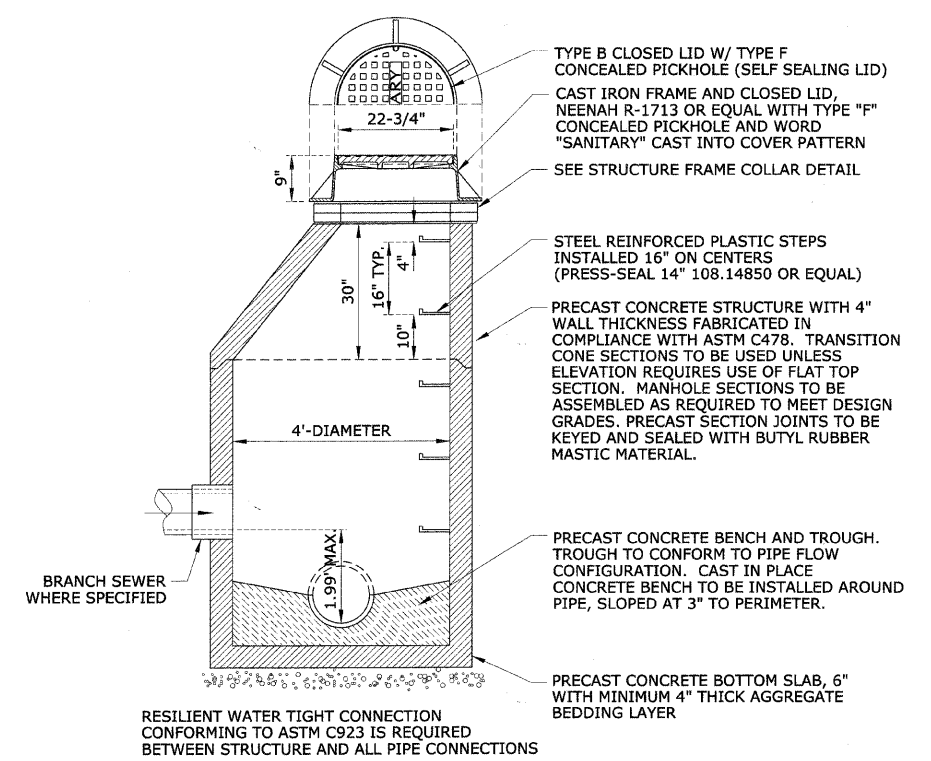
STORM SEWER CONNECTION, SPECIAL 60" CONNECTION TO EXISTING 60" RCP WITH PIPE CRADLE AND JOINT COLLAR



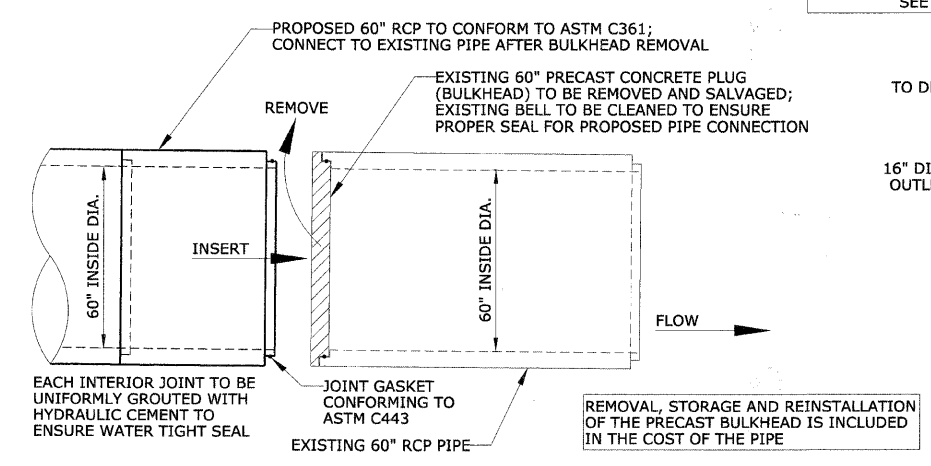
PLAN VIEW FOR STRUCTURE #6055



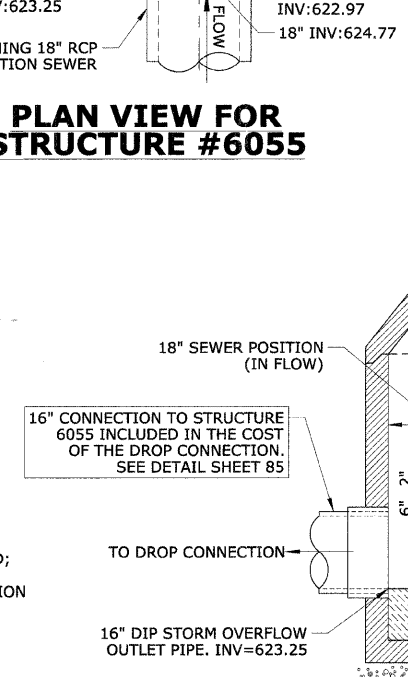
CROSS SECTION VIEW OF RESTRICTOR PLATE DETAIL FOR STRUCTURE #6055



SANITARY & COMBINED MANHOLE, TYPE A, 4'-DIAMETER WITH TYPE 1 FRAME AND CLOSED LID



EXISTING PRECAST PLUG (BULKHEAD) REMOVAL AND 60" CONNECTION TO EXISTING 60" RCP



STORM OVERFLOW STRUCTURE #6055 WITH TYPE 1 FRAME AND CLOSED LID

REVISIONS	
NAME	DATE
PER IDOT	01-04-10
PER MWRD	01-29-10