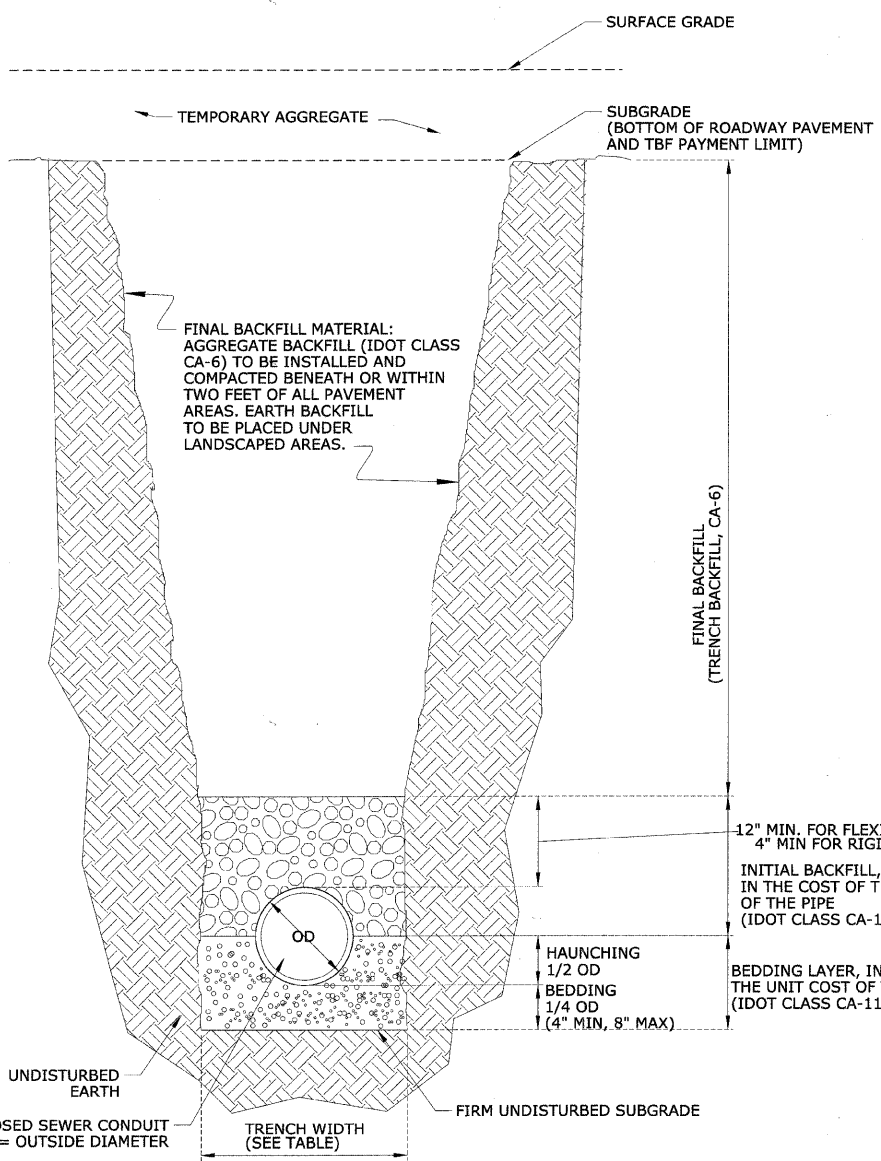


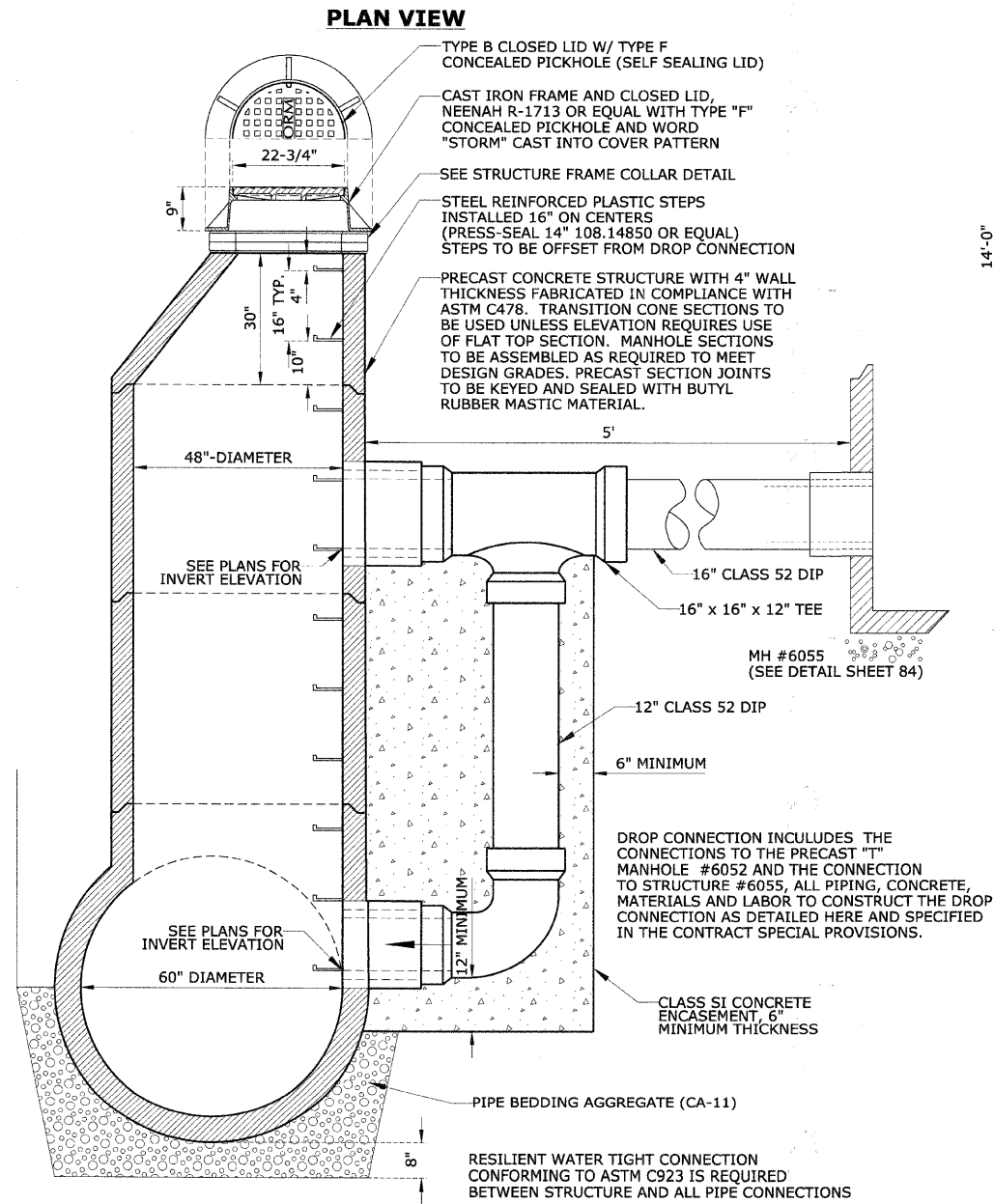
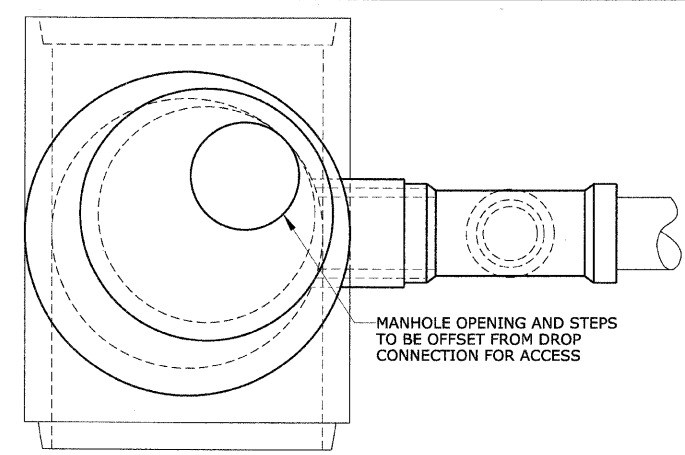
DATE	BY
DATE	BY

DATE	BY
DATE	BY

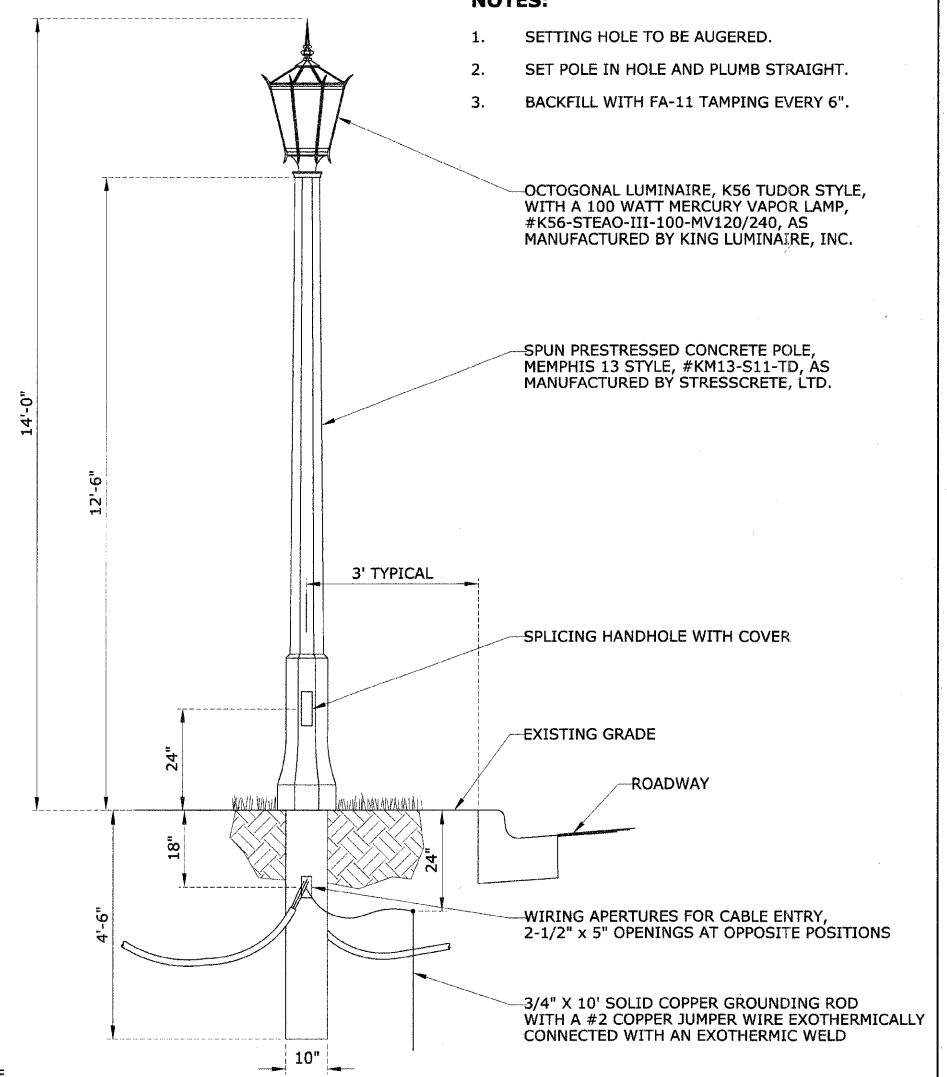


TRENCH DEPTH / PROTECTION	MAXIMUM PAYMENT WIDTH OF TRENCH
5 FT AND LESS, W/O PROTECTION	OD + 18"
5 FT AND LESS, W/ PROTECTION	OD + 36"
GREATER THAN 5 FT	OD + 36"

SEWER TRENCH DETAIL



MH #6052
PRECAST "T" MANHOLE FOR 60" DIAMETER STORM SEWER, TYPE 1 FRAME, CLOSED LID - WITH DROP CONNECTION



RELOCATION DETAIL
LA GRANGE LIGHTING STANDARD, STYLE A
CONCRETE POLE WITH OCTAGONAL LANTERN STYLE LUMINAIRE

- NOTES:**
- SETTING HOLE TO BE AUGERED.
 - SET POLE IN HOLE AND PLUMB STRAIGHT.
 - BACKFILL WITH FA-11 TAMPING EVERY 6".

REVISIONS	
NAME	DATE
PER IDOT	01-04-10
PER MWRD	01-29-10

ILLINOIS DEPARTMENT OF TRANSPORTATION
BLUFF AVENUE IMPROVEMENTS
STAGE 3
CONSTRUCTION DETAILS - SPECIAL
 SCALE: NTS
 DATE 11/30/2009
 DRAWN BY H&A
 CHECKED BY JRH